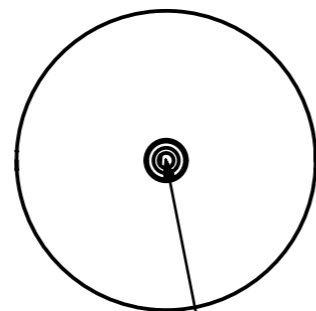
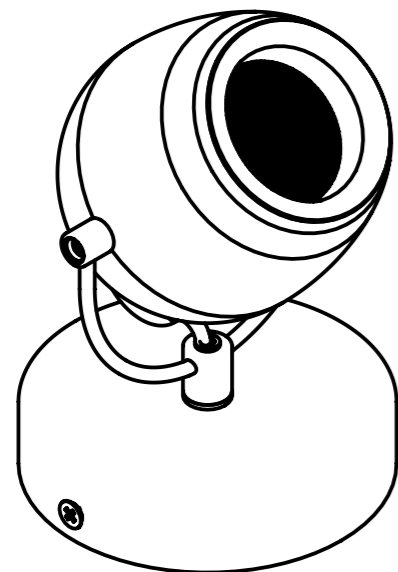
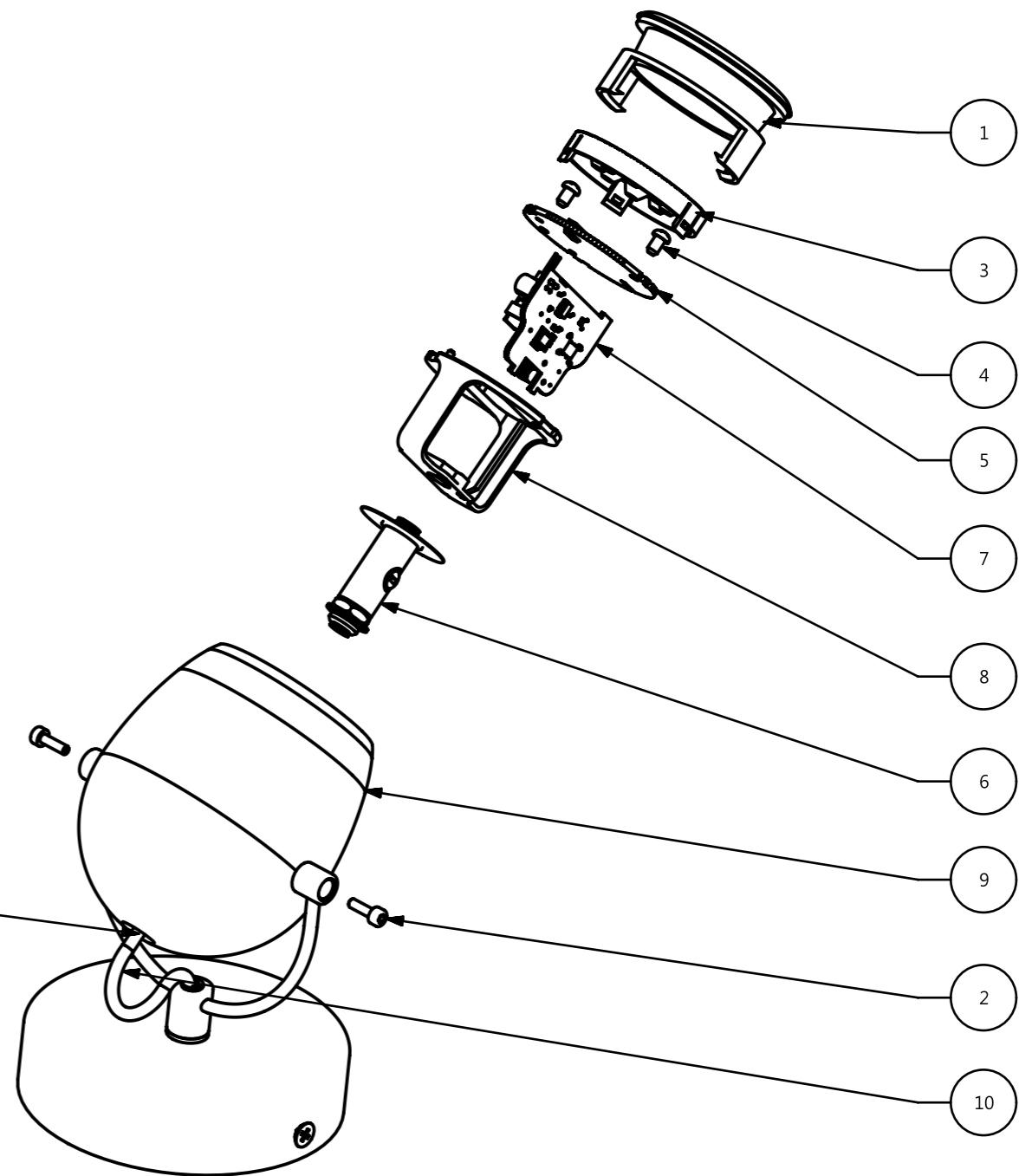


PHILIPS



Drilling place



#	COMPONENT	QTY
1	HEAD	1
2	SCREW	2
3	LENS	1
4	SCREW	2
5	LIGHT SOURCE	1
6	FOOT	1
7	CONTROL GEAR - PSU	1
8	BRACKET	1
9	TUBE	1
10	WIRE	2

SKU	Color	Country
915005688101	WHITE	
915005688201	BLACK	
915005688301	WHITE	
915005688401	BLACK	
915005695601	BLACK	
915005695701	WHITE	
915005695801	BLACK	
915005695901	WHITE	

Warnings

Always make sure the luminaire is detached from the mains socket
 Always make sure the DC cable is detached from the power supply
 Staring at the operating light source may cause eye injury

#	Disassemble/dismantle steps	Tools needed
a	CUT OFF WIRES (10) AS CLOSE AS POSSIBLE TO TUBE (9)	CUTTING PLIERS
b	REMOVE TUBE (9) BY UNSCREWING SCREWS (2)	ALLEN KEY
c	REMOVE INNER PARTS FROM TUBE (9) BY DRILLING OUT FOOT (6)	USE DRILL BIT 15
d	REMOVE HEAD (1) UNHOOKING IT	FLATHEAD SCREWDRIVER
e	REMOVE LENS (3) GENTLY LEVERING IT - PUSH FLAT SCREWDRIVER BETWEEN IT AND LIGHT SOURCE (5)	FLATHEAD SCREWDRIVER
f	REMOVE LIGHT SOURCE (5) BY UNSCREWING THE SCREWS (4) AND PULLING IT FROM CONTROL GEAR - PSU (7)	CROSSHEAD SCREWDRIVER PH
g	REMOVE CONTROL GEAR - PSU (7) FROM BRACKET (8)	

STATUS	DESCRIPTION RIVANO	DESIGN ID	01	2021-08-03
NAME	Obszarski, Tomasz	LOCAL PART ID	SH. 1	SH.
CHECKED	DATE	2021-08-03		A3-L
CONFIDENTIAL, PROPERTY OF: © 2021 Signify Holding				