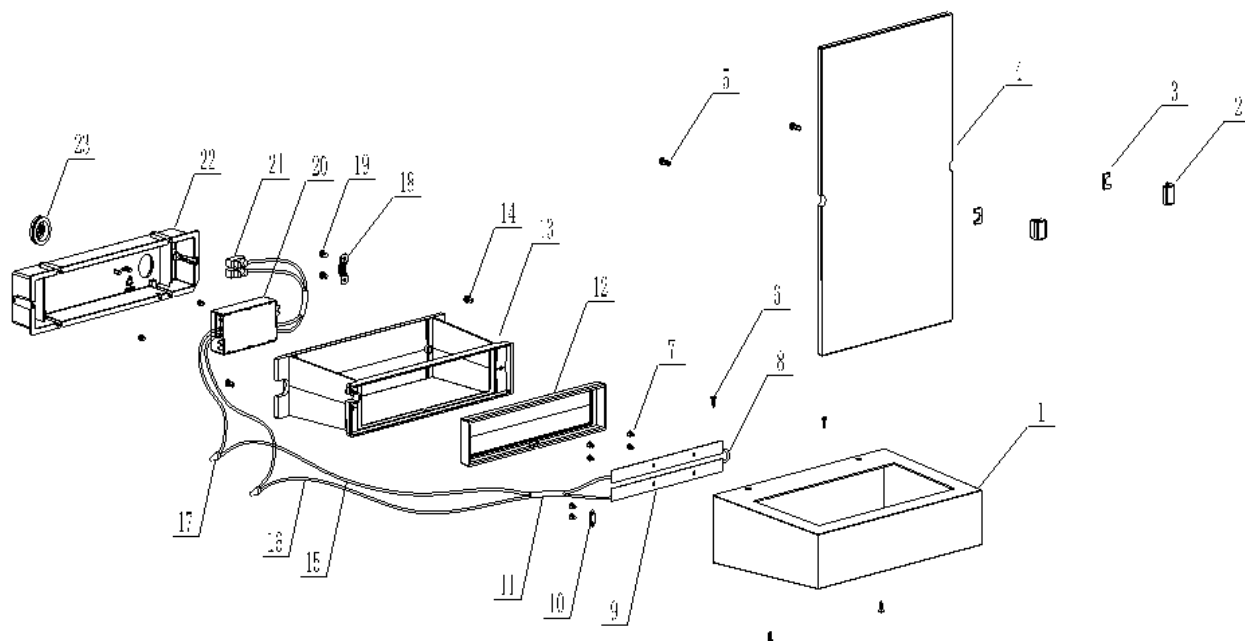


Dismantling Recommendation on Disposal at End of Life

Composition Explanation



No.	Components	Specifications	Unit	Quantity
1	17OU1-17352F body	ADC12	PCS	1
2	17OU1-17352 BLOCK	Zinc alloy	PCS	2
3	17OU1-17352F glass rubber	Rubber	PCS	2
4	17OU1-17352F glass	8MM temperature glass	PCS	1
5	M4*12 screw	SS	PCS	2
6	BT3*10 screw	SS304	PCS	4
7	M3*5 screw	Zinc coated	PCS	6
8	VED white wire	H05S-K 1*0.5mm2	PCS	1
9	YL20-6-8DB4W-C007-827		PCS	2
10	Strain relief	PA6 black	PCS	1
11	Ø5 heat shrink tube		M	0.06
12	17OU1-17352F diffuser	PC110U	PCS	1
13	17OU1-17352F frame	ABS	PCS	1
14	M4*6 screw	Zinc coated	PCS	2
15	VED red wire	H05S-K 1*0.5MM2	PCS	1

Dismantling Recommendation on Disposal at End of Life

Composition Explanation

No.	Components	Specifications	Unit	Quantity
16	VED black wire	H05S-K 1*0.5MM2	PCS	1
17	ULΦ1 closed end connector		PCS	2
18	Strain relief	PC	PCS	1
19	BT2.9*6 screw	Zinc coated	PCS	4
20	PYS-10-350 10W driver		PCS	1
21	Terminal block	PA10	PCS	1
22	17OU1-17352F wall plate	PA6+30%GF black	PCS	1
23	φ27 gromet	TPE	PCS	1
16	VED black wire	H05S-K 1*0.5MM2	PCS	1
17	ULΦ1 closed end connector		PCS	2
18	Strain relief	PC	PCS	1
19	BT2.9*6 screw	Zinc coated	PCS	4
20	PYS-10-350 10W driver		PCS	1
21	Terminal block	PA10	PCS	1
22	17OU1-17352F wall plate	PA6+30%GF black	PCS	1
23	φ27 gromet	TPE	PCS	1

Dismantling Recommendation on Disposal at End of Life

Dismantling

- Type: Without permanent damage

Recommendation on Disposal

- Plastic part: Reuse and Recycling
- Electrical part: Incineration and disposal
- Metal part: Recycling

Light source dismantling process

