

E26 5" Trim Series

DESCRIPTION

Open wet location, shallow reflector trim with self-flange in the 5" trim family for use in recessed downlighting. Compatible for use in Halo and other housings. For use with outdoor rated lamps only.

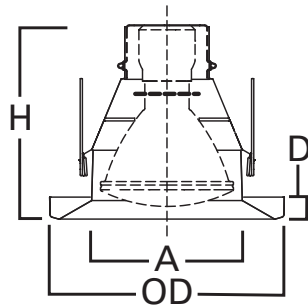
Catalog #		Type
Project		
Comments		Date
Prepared by		

SPECIFICATION FEATURES

- Open wet location metal showerlight
- Outdoor rated lamps ONLY
- Torsion spring retention
- Socket supporting
- Self-flanged trim ring sized to hide gaps caused by construction tolerances
- For use in standard and shallow housings

Housings	Max Lamp Compatibility
H5ICAT H5RICAT	5145WH: 75W PAR30S, 75W PAR30L
E5ICAT E5RICAT	5145SN, 5145TBZ: 60W PAR30S, 75W PAR30L
H25ICAT	
H5ICATNB	5145WH: 75W PAR30S, 75W PAR30L
E5ICATNB	5145SN, 5145TBZ: 60W PAR30S, 75W PAR30L
H25ICATNB	
H5T H5RT	75W PAR30S, 75W PAR30L
E5TAT E5RTAT	
H5TNB	75W PAR30S, 75W PAR30L
E5TATNB	

Compatible with Halogen, Incandescent, LED* or CFL* lamps.

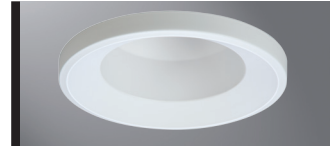


Dimensions:

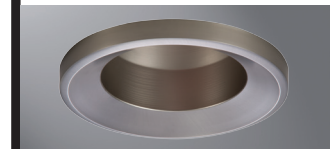
- A: 4-5/16" [109mm]
- D: 5/8" [16mm]
- H: 5-7/16" [138mm]
- OD: 6-5/8" [168mm]



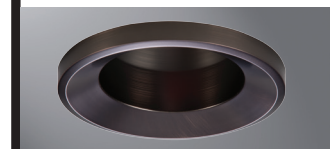
Lamp Gasket (included)



5145WH
White Shallow Reflector and Trim



5145SN
Satin Nickel Shallow Reflector and Trim



5145TBZ
Tuscan Bronze Shallow Reflector and Trim

5145

5-Inch Open Wet Location, Shallow Reflector, Self-flange



ORDERING INFORMATION

SAMPLE NUMBER: 5130WH

Trim	Finish
5145= 5" Open wet location, Shallow reflector, self-flange	WH=Matte white trim SN=Satin Nickel trim TBZ=Tuscan Bronze trim

HOUSING COMPATIBILITY

Trim #	Style	H5ICAT	H5RICAT	E5ICAT	E5RICAT	H25ICAT	H5ICATNB	E5ICATNB	H25ICATNB
5145	Open Showerlight	•	•	•	•	•	•	•	•
		H5T	H5RT	E5TAT	E5RTAT	H5TNB	E5TATNB		
		•	•	•	•	•	•		

For use in other's housings, refer to U.L. Classification list at www.cooperlighting.com

*UL1993 listed LED & CFL equivalent lamps permitted. Consult lamp manufacturer for conditions of use. Cooper Lighting Solutions does not warranty the lamp.



For use in Halo listed housings.



Select trims are classified for use in others housings. See www.cooperlighting.com