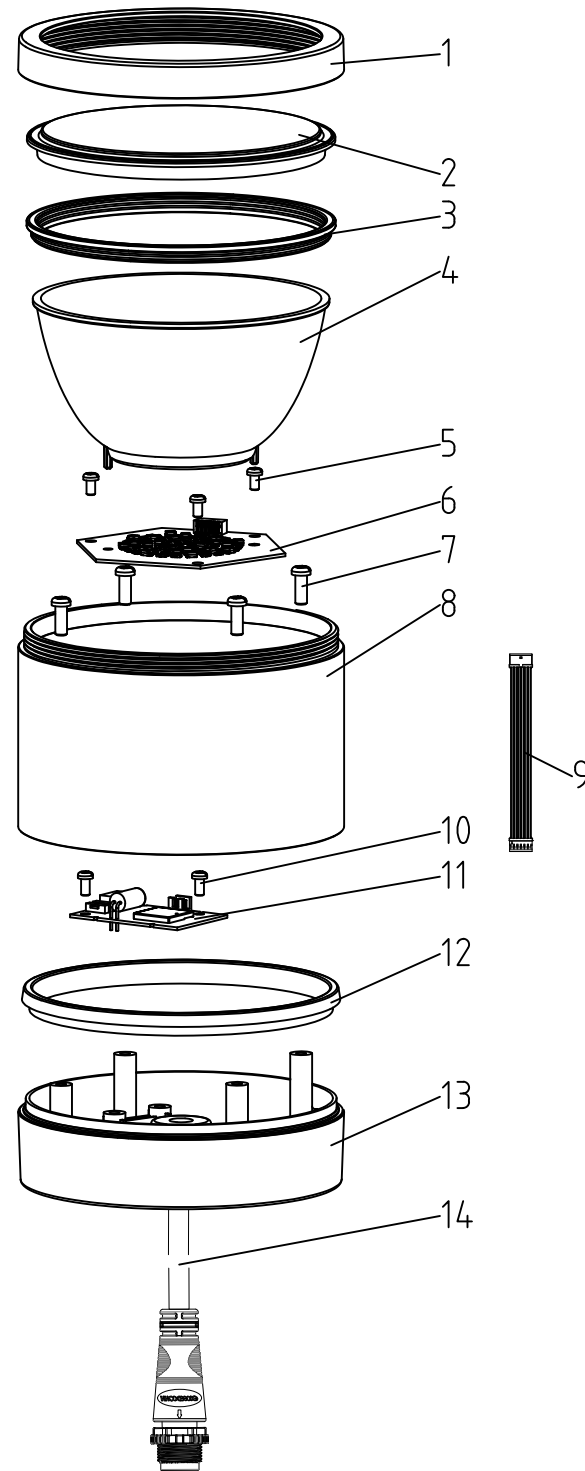


**PHILIPS**  
hue



#	COMPONENT	QTY
1	COVER	1
2	DIFFUSER	1
3	FRONT GASKET	1
4	REFLECTOR	1
5	SCREW	3
6	LIGHT SOURCE - LED MODULE	1
7	SCREW	4
8	BODY	1
9	FLAT CABLE	1
10	SCREW	1
11	LIGHT SOURCE - HUE CONNECT	1
12	BACK GASKET	1
13	BACK COVER	1
14	CABLE	1

SKU	Color	Country
915005842601	BLACK	EU
915005842701	BLACK	NAM

**Warnings**

Always make sure the luminaire is detached from the mains socket  
 Always make sure the DC cable is detached from the power supply  
 Staring at the operating light source may cause eye injury

#	Disassemble/dismantle steps	Tools needed
a	REMOVE THE COVER (1), FIRST BREAK THE GLUE OF THE THREAD CONNECTION BY KNOCKING IT A FEW TIMES ON A HARD SURFACE AND THEN UNSCREW WITH BIG TORQUE	STRAP WRENCH OR CHAIN WRENCH
b	REMOVE DIFFUSER (2) FRONT GASKET (3) AND THE REFLECTOR (4)	-
c	UNSCREWING THE SCREWS (5)	CROSS HEAD SCREW DRIVER
d	REMOVE FLAT CABLE (9) FROM LIGHT SOURCE - LED MODULE (6)	-
e	REMOVE BODY (8) BY UNSCREWING THE SCREWS (7)	CROSS HEAD SCREW DRIVER
f	REMOVE THE WIRE OF THE CABLE (14) FROM LIGHT SOURCE - HUE CONNECT (11)	FLATHEAD SCREWDRIIVER OR WAGO TOOL #2065
g	REMOVE LIGHT SOURCE - HUE CONNECT (11) BY UNSCREWING THE SCREWS (10)	CROSS HEAD SCREW DRIVER

STATUS	DESCRIPTION	DESIGN ID
2021-04-12	LilyXL spike black 1x15W 24V LilyXL spike LED black 1x15W 24V	DOC 12NC
NAME WH	LOCAL PART ID	SH. 1
CHECKED	DATE	SH. A3-P

CONFIDENTIAL, PROPERTY OF: © 2020 Signify Holding