





Calculite LED 6" generation 3 provides excellent performance coupled with optimized installation flexibility. Industry leading visual comfort and uniform illumination make it an ideal choice for open office, institution, healthcare, and retail applications.

Standard luminaire: Complete luminaire = Frame + Engine + Trim + Accessories (optional)

Flex install luminaire: Complete luminaires = Engine (F) + Trim + Accessories (optional)

Follow the ordering guidelines below. Each step is a separate order line.

Project: _____
 Location: _____
 Cat.No: _____
 Type: _____
 Qty: _____
 Notes: _____

Step 1	Frame: Ordered & shipped separately.	
	Frame 6S	Example: 6SN
Step 2	Engine & Trim: Ordered & shipped as a single product.	
	Engine C6L	Example: C6L15935MZ10U-C6SLWCCP - C6S
Step 3 (optional)	Accessories: Ordered & shipped separately.	

Frame

Example: 6RN

Series	Installation	Voltage / Options	
6S			
6S 6" Non-IC Square	N New construction	- Universal 120/277/347V EM6 Emergency, 6W Self-Test/ Self-Diagnostic ¹ Chicago Plenum ²	BAC Meets the requirements of the Buy American Act of 1933 (BAA) ^{10,11} BABAF Meets the requirements of the Build America Buy America Act for projects funded through FHWA that are obligated before October 1, 2026, and meets the Buy America preferences for FTA ^{10,11}
	R Remodeler	- Universal 120/277/347V	BAC Meets the requirements of the Buy American Act of 1933 (BAA) ^{10,11} BABAF Meets the requirements of the Build America Buy America Act for projects funded through FHWA that are obligated before October 1, 2026, and meets the Buy America preferences for FTA ^{10,11}

Engine

Example: C6L20930MZ10D20UF

Series	Lumens	CRI/CCT	Beam	Dimming	Options	Voltage	Options
C6L							
C6L Calculite LED 4" gen 3	10 1000lm	927 90CRI/2700K	N Narrow M Medium ⁹ W Wide	Z10 0-10V 1%		U 120/277V 3 347V ⁶ (Z10 only)	F Flex install ⁷ (no frame required) R Calculite legacy retrofit ⁸ BAC Meets the requirements of the Buy American Act of 1933 (BAA) ^{10,11} BABAF Meets the requirements of the Build America Buy America Act for projects funded through FHWA that are obligated before October 1, 2026, and meets the Buy America preferences for FTA ^{10,11}
	15 1500lm	930 90CRI/3000K		Z10-D20 0-10V 1% Dim to Off (up to 3500lm)			
	20 2000lm	935 90CRI/3500K		L01 Lutron PEQO EcoSystem 0.1% (up to 2000lm)			
	25 2500lm	940 90CRI/4000K		L1 Lutron LDE1 EcoSystem (up to 3500lm)			
	30 3000lm	950 90CRI/5000K ³		RA Integral Interact RF sensor ⁵ (enables wireless connected lighting control)			
	35 3500lm	D2W 90CRI/3000K to 1800K ⁴ (dim-to-warm)					
48 4800lm*			D DALI 0.1% ⁵	-- None LIN Linear	U 120/277V		
60 6000lm*			SOL EldoLED Solo 0-10V 0.1%	-- None LIN Linear SQR Square	U 120/277V		
			DMX Digital Multiplexing w/RDM 0.1%				
			E Forward & Reverse Phase (up to 3000lm)		1 120V		

Trim

Example: C6SLWCCP

Series	Aperture	Style	Finish	Flange	Options
C6	S	LW			
C6 Calculite LED 6" gen 3	S Square	LW Lensed Wall Wash ⁹	CL Specular clear	- White (matte)	BAC Meets the requirements of the Buy American Act of 1933 (BAA) ^{10,11} BABAF Meets the requirements of the Build America Buy America Act for projects funded through FHWA that are obligated before October 1, 2026, and meets the Buy America preferences for FTA ^{10,11}
			CC Comfort clear	P Polished (matches aperture)	
			CD Comfort clear diffuse	F Flangeless (requires CA6SFT)	
			WH White (matte)	- White (matches finish) F Flangeless (requires CA6SFT)	

See footnotes on page 2.

C6SLW Calculite LED 6" gen 3

Square Wall Wash

Accessories (Not currently BAA-compliant) learn more below

SWCS	Interact Ready System Bridge Accessory (refer to SWCS spec sheet for options and details)
6RNSR	6" round/square non-IC frame with Flex (F) light engine (provides mechanical support for rough-in construction only, no junction box)
LCEM6	Field installable Bodine BSL06 emergency battery pack (for Flex (F) light engine only, includes switch mounting plate)
T347-75VA	347:120V step-down transformer for non-IC (N) frame only (see page 3)
CA6SFT	Mud-in ring for use in 6" square flangeless trim installations (ordered with a flangeless trim)
CAEM6	Field-installable Bodine BSL6 6W battery pack with self-test/self-diagnostic (for new construction frames, 120-277V - see page 3 for details)
CAEM6TSCP	Emergency test switch mounting plate. Must be ordered with EM6 frame for remote test switch (see page 3)

Beam options

Narrow engine	37° (0.6 s.c.) with narrow & medium trim
	Not recommended with wide trim
Medium engine	56° (0.9 s.c.) narrow & medium trim
	65° (1.1 s.c.) with wide trim

Footnotes

- Emergency (EM6) frame requires remote mounted test switch. Order CAEM6TSCP mounting plate accessory (not compatible with 347V or Power over Ethernet configurations).
- Chicago Plenum (LC) frame is not available for Buy American Compliant (BAC) configurations.
- Consult factory for 5000K CCT (50) with narrow (N) beam.
- Dim-to-warm (D2W) available only with Z10 dimming. Narrow (N) and medium (M) engine beams only.
- DALI (D) 4800lm and 6000lm, and RA options require linear driver configuration (see page 8).
- Not available for 4800lm (48) & 6000lm (60). Order T347-75VA field installed transformer.
- Flex install option requires light engine (F) & trim only. Up to 3500lm only. For use only with optional 6RNSR new construction frame accessory. Not available with Interact (RA) light engine dimming and IEM6 trim options.
- Retrofits select legacy luminaires (E & Z10 dimming only see pages 3 & 7).
- Medium (M) beam is ideal for Lensed Wall Wash (LW) applications.

Square Wall Wash

Photometric - Downlights with CRI of 90+ & R9 of 50+

Lumen Package	Beam	Flux (lm)	Efficacy (lm/W)	Beam Angle	CBCP	CRI	R9	IES TM-30-18			UGR
								R _f	R _g	R _{cs,ht}	
1000 lm	Lensed (LW)	828	95	—	—	90+	50+	91	100	-6%	16
1500 lm	Lensed (LW)	1248	96	—	—	90+	50+	91	100	-6%	17
2000 lm	Lensed (LW)	1685	94	—	—	90+	50+	91	100	-6%	19
2500 lm	Lensed (LW)	2089	97	—	—	90+	50+	91	100	-6%	19
3000 lm	Lensed (LW)	2491	94	—	—	90+	50+	91	100	-6%	20
3500 lm	Lensed (LW)	2764	94	—	—	90+	50+	91	100	-6%	20
4800 lm	Lensed (LW)	3955	91	—	—	90+	50+	91	100	-6%	22
6000 lm	Lensed (LW)	4946	84	—	—	90+	50+	91	100	-6%	22

- BAA and compliance requires that BAC option be selected for each of frame, engine, and trim. BABA compliance requires that BABAF option be selected for each of frame, engine, and trim. Frame, engine and trim will be shipped together as a single product. Accessories (optional) are not currently BAA- or BABA-compliant.
- Failure to properly select the "BAC" suffix could result in you receiving product that is not BAA compliant product with no recourse for an RMA or refund. This BAC designation hereunder does not address (i) the applicability of, or availability of a waiver under, the Trade Agreements Act, or (ii) the "Buy America" domestic content requirements imposed on states, localities, and other non-federal entities as a condition of receiving funds administered by the Department of Transportation or other federal agencies. Genlyte's products with a BAC option code designation are manufactured in the US and utilize a BAA COTS exemption rule for compliance. "BABAF" designates the product will meet the standards set by FHWA for BABA and FTA for Buy America. As noted, for FHWA BABA compliance, applicable projects must be funded by October 1, 2026.



AccuRender Technology (CRI 90+)

The right light brings colors to life. Our new AccuRender technology helps ensure colors are rendered more accurately and consistently, while doing so as efficiently as CRI 80 products.



Standard CRI 80
Good color rendering and high efficacy



Standard CRI 90
Better color rendering and low efficacy



AccuRender
Best color rendering, color preference and high efficacy

Enjoy design flexibility

Full range of products and options:

- Available soon in across Lightolier portfolio for application flexibility
- Multiple color temperatures (CCTs) and lumen packages offered

Promote savings

High efficacy, with no penalty:

- Energy efficacy compares well to conventional 80 CRI
- Up to 25% more energy savings vs competitor 90 CRI¹
- Helps meet Title 24 requirements

Show your true colors

High color rendering:

- True to life colors that help energize your environment and render better flesh tones critical for healthcare hospitality and retail applications.
- R_a up to 94 CRI
- R_g up to 67 CRI
- G_a up to 99 CRI
- C₉ up to 94 CRI
- R_f up to 92 TM-30
- R_{f,ht} up to 91 TM-30
- R_g up to 100 TM-30
- R_{cs,ht} up to -5% TM-30

Achieve color balance

Best in class color consistency:

- Promote aesthetic harmony in your space with ≤ 2 SDCM

C6SLW Calculite LED 6" gen 3

Square Wall Wash

Frame-in-kits

New Construction:

Galvanized stamped steel for dry or plaster ceilings. Preinstalled telescoping mounting bars from 13" to 24". For 4' distances, use 1/2" EMT, 1-1/2" x 1/2" U or C channel.

Max ceiling thickness is 2" (51 mm) including PoE frame 4.88" (124 mm) plenum depth for installation.

Patented install Mounting frame:

- Pre-installed mounting bars for fast and tool-less installs into T-grid & hat channel ceilings.
- Close-cut aperture design eliminates possibility of gap between ceiling opening and reflector flange.
- Separate wiring compartment for wiring frame to building allows inspection prior to light engine install.
- Simple plug-and-play connection between frame and light engine from below ceiling.
- Easy alignment of fixtures and present locking at 0°, 45°, & 90° with 360° rotation via tool-less locking.

Retrofit

- Easily updates legacy Calculite downlights to the latest LED technology. Includes light engine, trim, and driver mounted on cover plate that mounts to junction box of previous Calculite generations. Order with R option code at end of light engine catalog number (see details on page 7).

Compatibility:

Frames	Engines
With CFL S6132_series	Use Retrofit configuration C6R_ Trim + C6L_ Engine
With INC BS600_series	Use Retrofit configuration C6R_ Trim + C6L_ Engine
With LED C6L_N series C6X6L_N series P6RD_N_series	Use Retrofit configuration C4R_ Trim + C6L_ Engine C6S_ Trim + C6L_ Engine C6R_ Trim + C6L_ Engine

* Not available for retrofitting luminaires with integral emergency battery.

Emergency

Bodine BSL6 6W battery pack with self-test/diagnostic functionality. Factory or field mounted to frame.

- For remote ceiling mounted test switch, order standard trim (ex: C6SDLWCC). Optional accessory ceiling mounting plate available (CAEM6TSCP) for remote mounted test switch
- Refer to Calculite-LyteProfile-EasyLyte Emergency Battery Pack specification sheet for more details.

Dimming

All configurations are FCC Class A unless otherwise specified.

- Advance 0-10V 1% (Z10), logarithmic curve is standard. Specify D2O for factory-set dim-to-off function, consult factory for linear dimming curve.
- EldoLED SOLODrive (SOL) 0-10v 0.1%
- Lutron PEQO (L) Hi-Lume Premier 0.1% EcoSystem
- Lutron LDE1 (L01) EcoSystem 1%
- Electronic low voltage (E) - forward or reverse phase dimming, Remodel and AirSeal IC Shallow are FCC Class B
- DALI (D) - DT6 DALI 0.1%
- DMX (DMX) - Digital Multiplexing with RDM 0.1%

Dimming Options

The following are factory-set options for the SOL, D, and DMX driver options (ex. DMXLIN):

- SOL/D/DMX: Logarithmic (-) standard
- SOL/D/DMX: Linear (LIN)
- SOL/DMX: Square (SQR)
- Dim to Warm (D2W): option changes CCT from 3000-1800K gradually as it dims. Use with Z10 dimming only. Fixture-to-fixture consistency of ≤3SDCM at 2700K & 3000K, and ≤5SDCM at 1800K.

Optical systems

Comfort throughout the space:

True 50° physical cutoff and 45° reflected cutoff.

Quality of light:

2 SDCM ensures color consistency from fixture to fixture and over the luminaire's long lifetime.

MesoOptics PET optical diffusion film:

Provides a smooth beam shape and mitigates color over angle with optimized luminaire efficiency. Mitigates LED pixilation.

Light Engine

Quick connect power pack allow for easy installation and replacement from below ceiling with no need for additional wiring. This allows for:

- Frame and ceiling installation to be performed while still finalizing details such as lumen packages, CCT and control type.
- Easy replacement of electronics at end of life with minimal wasted material and labor required.
- Ease and upgradability of technology.
- 347V light engines are Z10 dimming only and include dedicated 347V driver. For 347V non-Z10 dimming, order T347-75VA field-installed step-down transformer accessory.

Flex engine (F)

- Frame-optional engine suited for new construction, remodel, and retrofit applications.
- 6RNSR new construction frame accessory available as required to support ceiling construction.
- All wiring is done on the integral j-box to the engine.

Options and Accessories

Flangeless mud-in ring: Use CA6SFT for use with flangeless plaster installations.

CAEM6TSCP: Ceiling cover plate for remote mounted EM6 test switch. 1/2" (25mm) hole, 4 3/8" (109mm) x 2 3/4" (69mm) rectangular. Includes two mounting screws.

Field Installed Emergency: Refer to Calculite-LyteProfile-EasyLyte Emergency Battery Pack specification sheet for more details.

CAEM6: Field install EM6 kit with Bodine BSL6 6W battery pack with self-test/self-diagnostic, mounts to new construction frames. Includes remote ceiling plate for test switch. Refer to Calculite-LyteProfile-EasyLyte Emergency Battery Pack specification sheet for more details.

SWCS: Interact Ready System Bridge Accessory. Requires IRT9015 IR remote and Interact Pro App for commissioning.

T347-75VA: Field installable 347:120V 75VA step-down transformer, attaches to knock out on frame junction box, for use with non-IC (N) or remodel (R) frames.

Title 24 exceptions

- 1000lm configurations

Labels and Listings

- cULus listed for wet locations
- RoHS certified
- CEC Title 24 JA8 certified
- CCEA (frames with *LC suffix)
- Red List Declare label certified, ID SIG-0017 ([View full Declare label](#))

Warranty



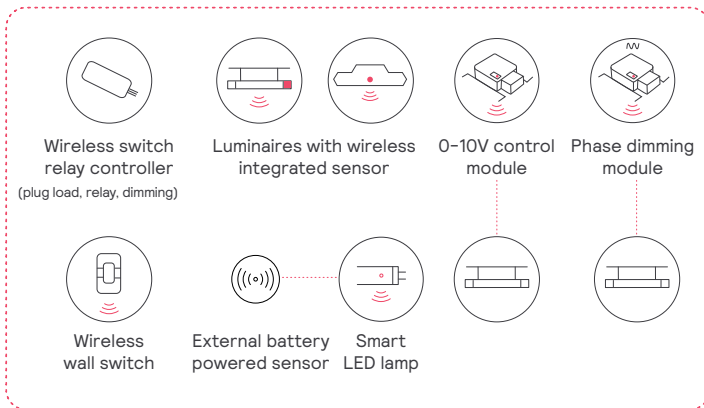
5 year limited warranty
Visit [Signify.com/warranties](https://www.signify.com/warranties) for more information on Signify's standard 5-year limited warranty on complete luminaire systems.

C6SLW Calculite LED 6" gen 3

Square Wall Wash

Signify
interact

Easy. Effective. Smart.



Meet Interact

A smart, wireless luminaire level lighting control system (LLLC). A complete solution that combines modern and intuitive technologies for easy installation and specification.

- Works with or without gateway
- **No** IT
- **No** light point restrictions
- **Up to 75%** out of the box savings
- **Fast & easy**
- **Code & rebates** compliant

Capabilities



Luminaire integrated occupancy and daylight sensing



BMS integration



Human-centric lighting



Connectivity & insights



Full Automation*



Security

*Grouping, zoning, dimming, high-end trimming, scenes, scheduling, manual controls

Benefits



Up to **80%** installation savings¹

Compared to installation costs of wired systems



Up to **5 min** faster setup time²

Compared to similar wireless systems



Less than **2 year** payback

Implement deep energy-saving strategies and claim utility rebates



1.8x more energy savings

Compared to conventional control systems



Up to **2x** utility rebates

Network Interact ready devices and get more utility rebates³

1. Versus legacy systems based on installer interviews
2. Based on installer analysis done by Signify for a typical multi-zone space
3. Utility programs across US

Just lights and an App



1. Install the Interact ready fixtures with embedded smart sensor
2. Install the wireless wall switch
3. Configure your setup with the Interact App
4. Leverage the IRT9015 remote accessory to accelerate your setup process
5. Optionally add a gateway for insights and management

Learn more about Interact:

Interact includes an app, a web portal, and a comprehensive range of Interact ready wireless luminaires, lamps, retrofit kits, and control devices like switches and sensors that operate within the same system.



C6SLW Calculite LED 6" gen 3

Square Wall Wash

Controls Options*

Interact radio node for Standalone,

Gateway & Gateway + IoT tiers (RA)

- RA sensor option is a connected radio node supporting wireless mesh connectivity.
- Compatible with standalone and gateway modes of Interact.

Interact occupancy & daylight sensor for Standalone, Gateway & Gateway + IoT tiers

(CS)

- The CS sensor option is a connected sensor with built-in occupancy and daylight detection, along with wireless mesh connectivity.
- Compatible with standalone and gateway modes of Interact.

Interact advanced sensor bundle for

Gateway + IoT tier (SB)

- SB sensor option offers occupancy and daylight sensing and supports advanced IoT capabilities, such as desk-level temperature and humidity monitoring, noise classification, and Bluetooth Low Energy (BLE) beacon functionality.
- Setup requires a compatible gateway and internet connectivity.
- With compatible gateway and software analytics, SB sensor option enables greater building efficiency, seamless system integration, and optimized space utilization through occupancy and environmental insights.

Interact for intelligent buildings sensor option codes across Genlyte product lines*

	Sensor part #	Daybrite	Ledalite	Lightolier
Zigbee + Bluetooth	SC100B	RADIO	RA	RA
Zigbee + Bluetooth + Sensing	SC200B	SWZCS	CS	SBA or SWCS accessory
Zigbee + Bluetooth + Sensing + Environmental data	SC1500	IAOSB	SB	SBA or SWCS accessory
Zigbee + Highbay + Bluetooth + Sensing	SNH210 IA	SWZCSH	-	-

C6SLW Calculite LED 6" gen 3

Square Wall Wash

Polished Reflectors Shown as round reflectors but represent the finish of Calculite square reflectors.



Specular clear (CL): Most specular and most efficient finish, delivers maximum photometric performance but can produce a mirror image effect of the interior space.



White (WH): (matte) Brightest illuminated aperture and provides the smoothest transition to most ceilings when off (white is only available with a white flange).



Comfort clear (CC): Semi-specular finish that softens the light at the source of the reflector and creates a subtle, even luminance from the reflector cone.



Comfort clear diffuse (CD): Slightly diffuse clear finish, that eliminates iridescence and reduces the mirror image effect inherent with specular finishes.

Flanges



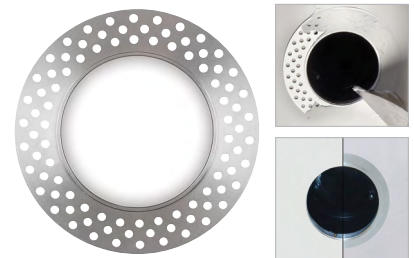
White (-): (matte) Provides the smoothest transition to ceilings when off.



Polished (P): (matches aperture) Produces a continuous look throughout the reflector (aperture matching).



Flangeless (F): (flush-mount) Creates a flush, virtually seamless transition from aperture to ceiling.

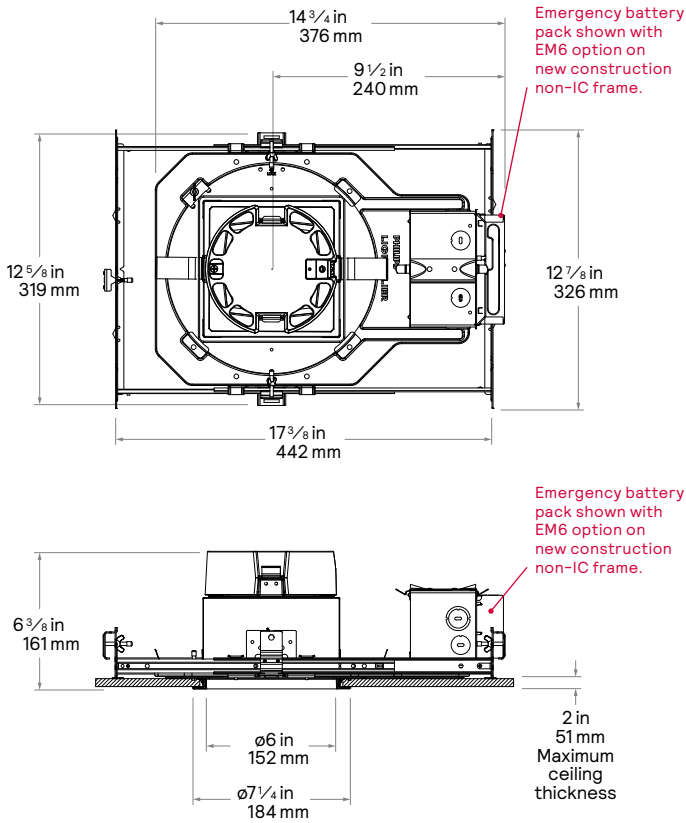


Mud-in ring (FT): Low profile, machined aluminum mud-in ring provides a raised rib to plaster up to and a 3/16" flange thickness. The ring is attached to the ceiling material as opposed to the frame-in kit to avoid conduction of heat and vibration which can cause yellowing or cracking of the plaster.

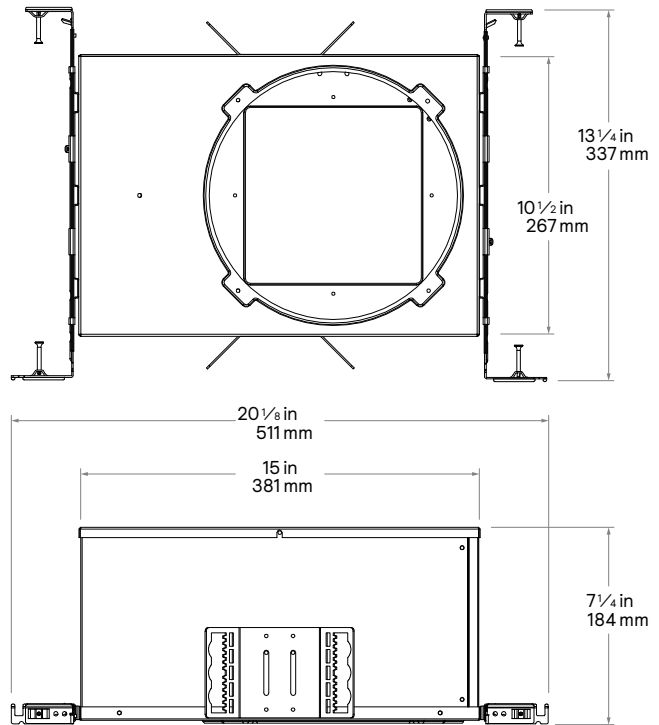
C6SLW Calculite LED 6" gen 3

Square Wall Wash

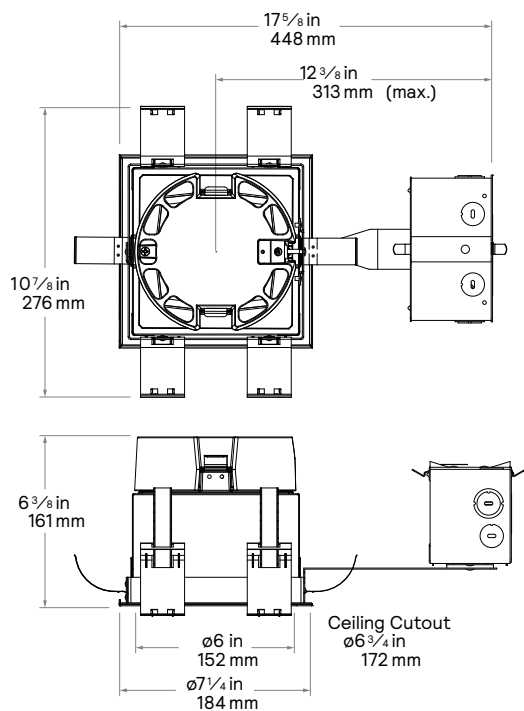
New Construction (N)



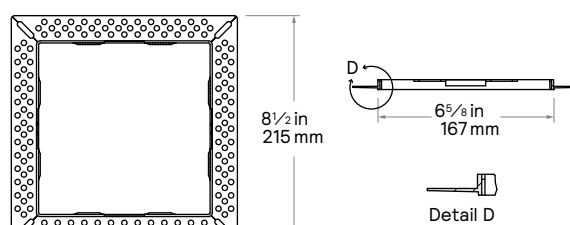
Chicago Plenum (LC)



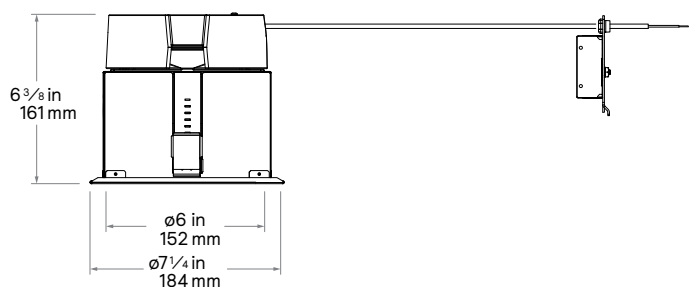
Remodeler (R)



Flangeless mud-in ring (CA6SFT) accessory



Retrofit (R) with round trim

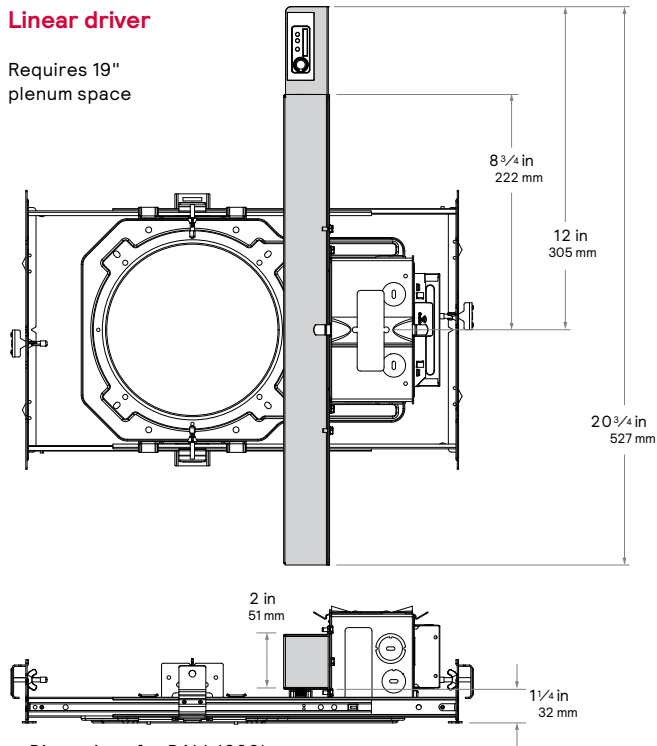


C6SLW Calculite LED 6" gen 3

Square Wall Wash

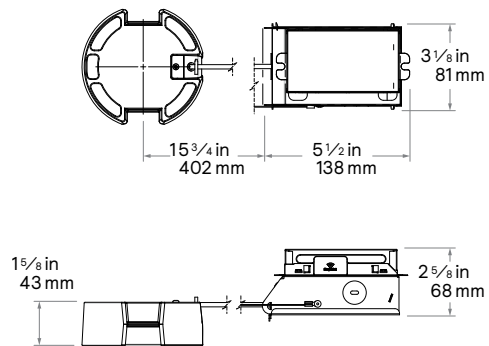
Linear driver

Requires 19" plenum space

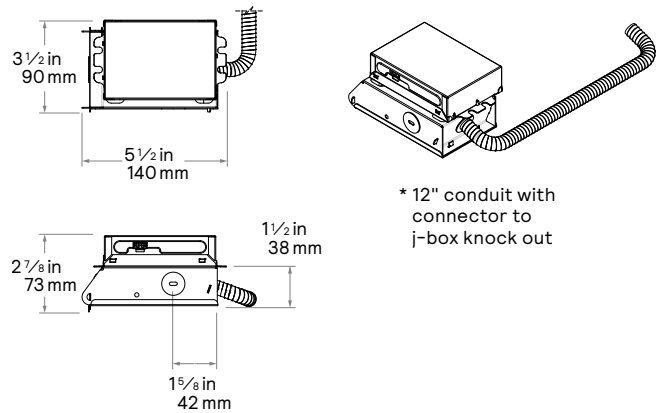


Dimensions for DALI 4800lm & 6000lm, & RA light engines. Sensor shown for RA light engine only.

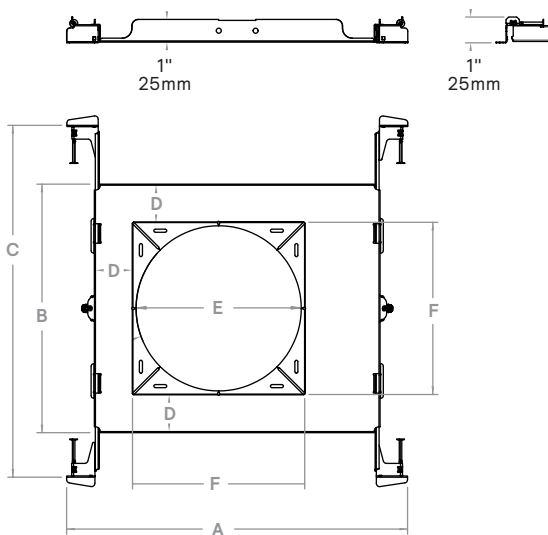
Flex Install (F)



LCEM6 Flex install (F) engine only



6RNSR Flex install non-IC frame



A	B	C	D	E	F
13 1/4"	9 5/8"	13 3/8"	1 1/2"	6 3/8"	5 3/8"
334mm	244mm	345mm	37mm	162mm	169mm

C6SLW Calculite LED 6" gen 3

Square Wall Wash

Electrical - Narrow

Light engine	Input Volts	Input Freq.	Input Current	Drive Current	Input Power	LED Power	THD Factor @ Max Load	Power Factor
1000lm	120V	50/60Hz	0.072A	0.22A	8.6W	7.0W	<10%	>0.9
	277V	50/60Hz	0.032A	0.22A	8.8W	7.0W	<20%	>0.9
	347V	50/60Hz	0.029A	0.22A	10.0W	7.0W	<30%	>0.9
1500lm	120V	50/60Hz	0.107A	0.33A	12.8W	10.7W	<10%	>0.9
	277V	50/60Hz	0.046A	0.33A	12.9W	10.7W	<10%	>0.9
	347V	50/60Hz	0.042A	0.33A	14.6W	10.7W	<25%	>0.9
2000lm	120V	50/60Hz	0.145A	0.45A	17.4W	14.7W	<10%	>0.9
	277V	50/60Hz	0.063A	0.45A	17.5W	14.7W	<10%	>0.9
	347V	50/60Hz	0.056A	0.45A	19.4W	14.7W	<20%	>0.9
2500lm	120V	50/60Hz	0.178A	0.55A	21.4W	18.2W	<10%	>0.9
	277V	50/60Hz	0.078A	0.55A	21.5W	18.2W	<10%	>0.9
	347V	50/60Hz	0.065A	0.55A	22.7W	18.2W	<20%	>0.9
3000lm	120V	50/60Hz	0.212A	0.65A	25.5W	21.7W	<10%	>0.9
	277V	50/60Hz	0.091A	0.65A	25.3W	21.7W	<10%	>0.9
	347V	50/60Hz	0.077A	0.65A	26.7W	21.7W	<15%	>0.9
3500lm	120V	50/60Hz	0.237A	0.75A	28.4W	24.4W	<10%	>0.9
	277V	50/60Hz	0.103A	0.75A	28.4W	24.4W	<10%	>0.9
	347V	50/60Hz	0.084A	0.75A	29.1W	24.4W	<15%	>0.9
4800lm	120V	50/60Hz	0.338A	1.05A	40.5W	34.9W	<10%	>0.9
	277V	50/60Hz	0.145A	1.05A	40.3W	34.9W	<10%	>0.9
	347V	50/60Hz	0.118A	1.05A	41.0W	34.9W	<10%	>0.9
6000lm	120V	50/60Hz	0.442A	1.35A	53.0W	45.6W	<10%	>0.9
	277V	50/60Hz	0.188A	1.35A	52.1W	45.6W	<10%	>0.9
	347V	50/60Hz	0.153A	1.35A	53.0W	45.6W	<10%	>0.9

Electrical - Medium & Wide

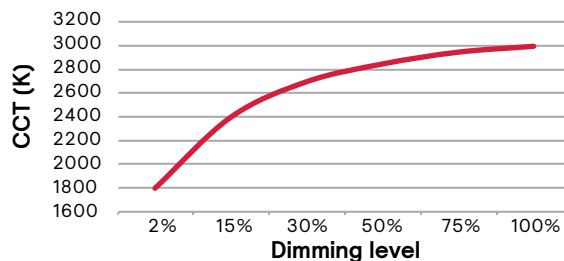
Light engine	Input Volts	Input Freq.	Input Current	Drive Current	Input Power	LED Power	THD Factor @ Max Load	Power Factor
1000lm	120V	50/60Hz	0.073A	0.22A	8.7W	7.1W	<10%	>0.9
	277V	50/60Hz	0.032A	0.22A	8.9W	7.1W	<20%	>0.9
	347V	50/60Hz	0.029A	0.22A	10.2W	7.1W	<30%	>0.9
1500lm	120V	50/60Hz	0.109A	0.33A	13.0W	10.9W	<10%	>0.9
	277V	50/60Hz	0.047A	0.33A	13.1W	10.9W	<10%	>0.9
	347V	50/60Hz	0.043A	0.33A	14.9W	10.9W	<25%	>0.9
2000lm	120V	50/60Hz	0.149A	0.45A	17.8W	15.1W	<10%	>0.9
	277V	50/60Hz	0.065A	0.45A	18.0W	15.1W	<10%	>0.9
	347V	50/60Hz	0.057A	0.45A	19.8W	15.1W	<20%	>0.9
2500lm	120V	50/60Hz	0.179A	0.55A	21.4W	18.2W	<10%	>0.9
	277V	50/60Hz	0.078A	0.55A	21.6W	18.2W	<10%	>0.9
	347V	50/60Hz	0.066A	0.55A	22.8W	18.2W	<20%	>0.9
3000lm	120V	50/60Hz	0.220A	0.67A	26.4W	22.4W	<10%	>0.9
	277V	50/60Hz	0.095A	0.67A	26.2W	22.4W	<10%	>0.9
	347V	50/60Hz	0.079A	0.67A	27.5W	22.4W	<15%	>0.9
3500lm	120V	50/60Hz	0.245A	0.75A	29.4W	25.3W	<10%	>0.9
	277V	50/60Hz	0.106A	0.75A	29.4W	25.3W	<10%	>0.9
	347V	50/60Hz	0.087A	0.75A	30.1W	25.3W	<15%	>0.9
4800lm	120V	50/60Hz	0.350A	1.08A	42.0W	36.1W	<10%	>0.9
	277V	50/60Hz	0.150A	1.08A	41.5W	36.1W	<10%	>0.9
	347V	50/60Hz	0.122A	1.08A	42.5W	36.1W	<10%	>0.9
6000lm	120V	50/60Hz	0.454A	1.38A	54.5W	46.8W	<10%	>0.9
	277V	50/60Hz	0.193A	1.38A	53.5W	46.8W	<10%	>0.9
	347V	50/60Hz	0.157A	1.38A	54.5W	46.8W	<10%	>0.9

Lifetime (TM-21) data

Lumens	Narrow beam	Medium/Wide beam
1000lm	L90 @ 60,000hrs.	L90 @ 60,000hrs.
1500lm		
2000lm		
2500lm		
3500lm*		
4800lm		
6000lm	L90 @ 60,000hrs.	L80 @ 60,000hrs.

* Lutron 3500lm with Medium/Wide beam is L85 @ 60,000hrs.

Dim-to-Warm: CCT vs Dimmed level



Narrow (Power over Ethernet)

Light engine	Input				
	Volts ¹	Voltage ²	Freq	Current	Power
C6L10__NPE	53V	51-54V	DC	160 mA	8.9 W
C6L15__NPE	53V	51-54V	DC	250 mA	13.7 W
C6L20__NPE	53V	51-54V	DC	330 mA	17.7 W
C6L25__NPE	53V	51-54V	DC	420 mA	22.8 W

1. Nominal input volts. 2. Preferred volt range.

Medium (Power over Ethernet)

Light engine	Input				
	Volts ¹	Voltage ²	Freq	Current	Power
C6L10__MPE	53V	51-54V	DC	160 mA	8.4 W
C6L15__MPE	53V	51-54V	DC	230 mA	12.5 W
C6L20__MPE	53V	51-54V	DC	310 mA	16.7 W
C6L25__MPE	53V	51-54V	DC	390 mA	21.4 W

Wide (Power over Ethernet)

Light engine	Input				
	Volts ¹	Voltage ²	Freq	Current	Power
C6L10__WPE	53V	51-54V	DC	160 mA	8.4 W
C6L15__WPE	53V	51-54V	DC	230 mA	12.5 W
C6L20__WPE	53V	51-54V	DC	310 mA	16.7 W
C6L25__WPE	53V	51-54V	DC	390 mA	21.4 W

Marked spacing applications

Light engine	4800lm	6000lm
C6L_Z10 series	X	X
C6L_L01 series	X	X
C6L_L1 series	X	X
C6L_LD series	X	X

Light engine	4800lm	6000lm
C6L_LTE series	X	X
C6L_D series	X	X
C6L_DMx series	X	X
C6L_RA series	X	X

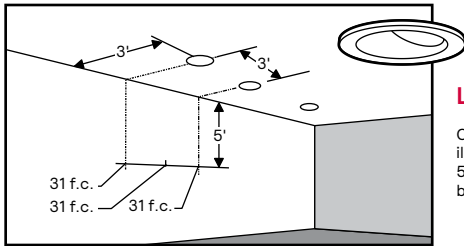
Modules marked with an X require marked spacing:

- Center-to-center of adjacent luminaires: 24" (610mm)
- Luminaire center to side building member: 12" (305mm)

In accordance with CAN ICES-005-A/ NEB-005-A and FCC Part 15-A.

C6SLW Calculite LED 6" gen 3

Square Wall Wash



Lighting Data - Example

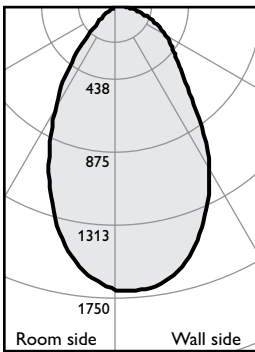
C6L25935WZ10U / C6SLWCL
illumination on the wall
5' down from the ceiling is 31 f.c.
beneath and 31 f.c. between fixtures.

Adjustment factors

Finish	CCT	Lumens
CL = 100%	90CRI, 4000K = 102%	6000lm = 240%
CC = 95%	90CRI, 3500K = 100%	4800lm = 192%
CD = 87%	90CRI, 3000K = 96%	3500lm = 140%
CZ = 63%	90CRI, 2700K = 92%	3000lm = 120%
WH = 87%		2500lm = 100%
BK = 57%		2000lm = 80%
		1500lm = 60%
		1000lm = 40%

Lensed Wall Wash, 2500lm Engine, 95lm/W at 22W

Candela Curve



6RN /C6L25935WZ10U / C6SLWCL

Output lumens: 2090 lms
Input watts: 22.0 W
CRI: 90 min
CCT¹: 3500K

Efficacy: 95.0 lm/w
Report²: STMR-2242

Multiple unit data

Footcandles on wall

Distance from ceiling in feet	3' from wall		
	3' on ctr.		
1	19	18	19
2	32	31	32
3	35	34	35
4	34	34	34
5	31	31	31
6	27	27	27
7	22	23	22
8	19	19	19
9	16	16	16
10	13	14	13
12	11	11	11
14	10	10	10

Multiple unit data

Footcandles on wall

Distance from ceiling in feet	3' from wall		
	4' on ctr.		
1	16	12	16
2	26	21	26
3	28	25	28
4	27	25	27
5	25	24	25
6	22	21	22
7	18	18	18
8	15	16	15
9	13	13	13
10	10	12	10
12	9	9	9
14	8	8	8

1. Correlated Color Temperature within specs as defined in ANSI_NEMA_ANSLG C78.377-2008: Specifications for the Chromaticity of Solid State Lighting Products.
2. Tested using absolute photometry as specified in LM79: IESNA Approved Method for the Electrical and Photometric Measurements of Solid-State Lighting Products.