

Fail-Safe

DESCRIPTION

The Fail-Safe Harmony VR Linear provides exceptional aesthetics with remarkable strength. A wide variety of lamp options and connection configurations offer unmatched versatility for a wide range of applications. Die-Cast end caps, heavy extruded aluminum body provides strength and rigidity for complex environments while an extruded linear ribbed polycarbonate lens obscures the lamp image and spreads light evenly. The Harmony VR Linear is ideal for areas where the need for aesthetics and protection from vandalism are critical. Perfect for schools, hospitals, corridors, dormitories, public restrooms, common areas, and transit stations.

Catalog #		Type
Project		
Comments		Date
Prepared by		

SPECIFICATION FEATURES

Housing

Heavy-duty, extruded aluminum rails and die-cast end caps provide rigid construction. Smooth, flat end caps provided with internal 7/8" knockouts. Finished in white finish standard. Optional architectural colors available.

Fasteners

Stainless steel TORX® with center reject pin and allen head set screws provided. Screw heads are side mounted and concealed under lens.

Lens

One-piece, extruded UV stabilized polycarbonate. Unique linear ribbed design provides even light distribution while obscuring lamp image and direct glare. Internal ribs reduce dirt build-up and make cleaning easier.

Reflector

20 ga. CRS with white high reflectance polyester powder coat finish. Reflector serves as ballast and wireway cover.

Lamps

By others.

Ballast

Ballasts are CBM/ETL Class "P" and positively secured to housing.

Socket

Pressure lock lampholders.

Labels

UL/cUL listed for wet locations under covered ceiling, surface mount. Damp location standard for all other mountings. IP64 optional.



HVL12

12" Continuous

4'

8'

Harmony

T5

T8

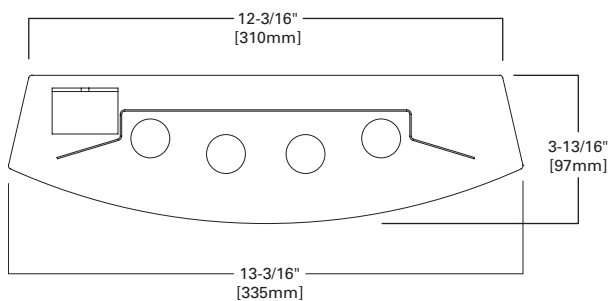
Vandal Resistant
Linear

Polycarbonate

Clear Linear Ribbed or Smooth
Opal



END DIMENSIONS



ENERGY DATA

For Energy Management related technical data to support the performance of this fixture series, refer to the ordering information for input wattage.

ORDERING INFORMATION

SAMPLE NUMBER: HVL12MR-232-UNV-C-EB81-S

Product Family	Row/Node Configuration	Lamp Type	Voltage	Lens Type	Ballast	End Caps	Options	Finish	Accessories (Order Separately)
HVL12=Harmony VR Linear 12" Width, 2' or 4' Length 8THVL12=Harmony VR Linear 12" Width, 8' Length		Lamp Type 2' Length 214 =(2) 14W T5 Lamps 314 =(3) 14W T5 Lamps 4 414 =(4) 14W T5 Lamps 4 224 =(2) 24W T5HO Lamps 324 =(3) 24W T5HO Lamps 4 424 =(4) 24W T5HO Lamps 4 217 =(2) 17W T8 Lamps 317 =(3) 17W T8 Lamps 417 =(4) 17W T8 Lamps 8' Length 228 =(2) 28W T5 Lamps 328 =(3) 28W T5 Lamps 428 =(4) 28W T5 Lamps 254 =(2) 54W T5HO Lamps 354 =(3) 54W T5HO Lamps 454 =(4) 54W T5HO Lamps 232 =(2) 32W T8 Lamps 332 =(3) 32W T8 Lamps 432 =(4) 32W T8 Lamps	Voltage 120 =120V 277 =277V 347 =347V UNV=120-277V UNC=347-480V Lens Type C=Clear, Linear Ribbed (smooth on outside) O=Opal, Smooth (no ribs) Electronic Ballast EB51=(1) Ballast for use with T5 lamp EB52=(2) Ballasts for use with T5 lamp EB53=(3) Ballasts for use with T5 lamp EB54=(4) Ballasts for use with T5 lamp EB81=(1) Ballast for use with T8 lamp EB82=(2) Ballasts for use with T8 lamps EB83=(3) Ballast for use with T8 lamp EB84=(4) Ballasts for use with T8 lamps				EL4=EM Pack, T8 1,4,5 EL5=EM Pack, T5, T5HO 1,4,5 FNL=Fluorescent Night Light (5, 7, 9W) 1 PM=Pendant Mount 2, 10 GLR=Fuse and Holder TILW=Tandem Inline Wiring (8T only) UPL=Uplight 11 NSF=Certified NSF Rating for Food Industry P11BLK-6PP-WG=Single circuit harness, hot conductor black and white neutral connected to driver(s), with ground 8,9 P12BLK-6PP-WG=Dual circuit harness, hot black conductor and white neutral connected to driver(s), with ground 8,9 P12BLU-6PP-WG=Dual circuit harness, hot blue conductor and white neutral connected to driver(s), with ground 8,9 IB/OB=Inboard/outboard wiring (only necessary for 8T- 2', 4' fixtures default to IB/OB) OS=Integral motion/occupancy sensor (within lens) 6,7 IP64=IP64 Compliant 10	Blank=Architectural White BK=Architectural Black DP=Dark Platinum VRSD=T20 Center Pin Tamperproof TORX®-head bit	
BR=Beginning of run MR=Middle of run ER=End of run									
				Blank=No End Caps (Middle Units) D=Decorative End Caps, Sculpted S=Smooth End Caps, Flat					

Notes:

- 1 Must specify voltage.
- 2 Stems must be ordered separately.
- 4 When (2) T5 or T5HO ballasts are specified with 2' units, EBP is not available.
- 5 Standard EBP is low-profile (1.18" height). For larger profile EBP, wireway cover size is increased to fit over the EBP which causes a noticeable shadow/dark spot when fixture is illuminated. Consult factory for details.
- 6 3-lamp cross-section maximum.
- 7 Connected to all ballasts on fixture. Consult factory for other OS/lamp configurations. Voltage specific 120 or 277.
- 8 Consult factory for additional configurations.
- 9 Black conductor connected to outboard lamp - default at factory with inboard/outboard wiring.
- 10 IP64 not available with PM option.
- 11 Available with PM option only.

ORDERING INFORMATION EXAMPLE: (3) 8' FIXTURES, 24' RUN

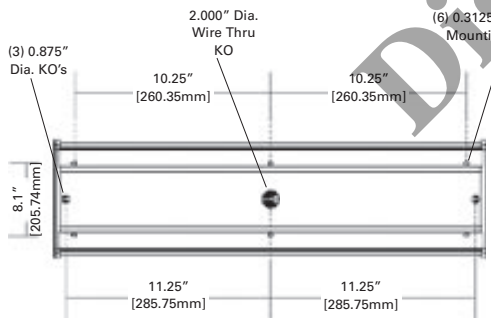
- (1) 8THVL12BR-254-UNV-C-EB82-S
- (1) 8THVL12MR-254-UNV-C-EB82-S
- (1) 8THVL12ER-254-UNV-C-EB82-S

MOUNTING DIMENSIONS

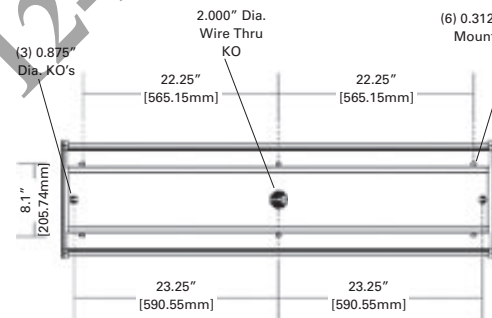
MOUNTING DIMENSIONS

Consult factory for 8' dimensions.

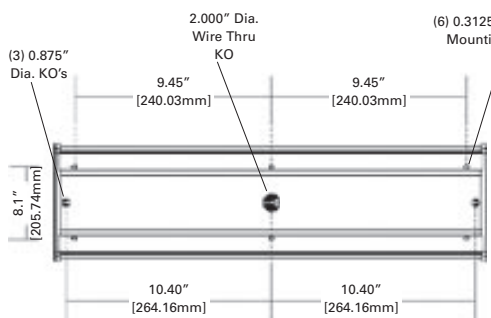
2' T8 FIXTURE



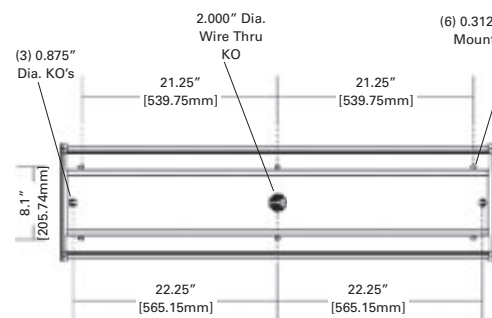
4' T8 FIXTURE



2' T5 FIXTURE



4' T5 FIXTURE



Cooper Lighting Solutions
1121 Highway 74 South
Peachtree City, GA 30269
P: 770-486-4800
www.cooperlighting.com

Specifications and
dimensions subject to
change without notice.

CONNECTORS AND ACCESSORIES

8" CORNER MOUNT BRACKET ¹

HVL8-2T5CM = 8" 2Ft. T5 Corner Mount **HVL8-2T8CM** = 8" 2Ft. T8 Corner Mount **HVL8-2LEDCM** = 8" 2Ft. LED Corner Mount

HVL8-4T5CM = 8" 4Ft. T5 Corner Mount **HVL8-4T8CM** = 8" 4Ft. T8 Corner Mount **HVL8-4LEDCM** = 8" 4Ft. LED Corner Mount

Note: ¹ Requires 90-degree offset 1/4" driver and VRSB bit for installation.

12" CORNER MOUNT BRACKET ¹

HVL12-2T5CM = 12" 2Ft. T5 Corner Mount **HVL12-2T8CM** = 12" 2Ft. T8 Corner Mount **HVL12-2LEDCM** = 12" 2Ft. LED Corner Mount

HVL12-4T5CM = 12" 4Ft. T5 Corner Mount **HVL12-4T8CM** = 12" 4Ft. T8 Corner Mount **HVL12-4LEDCM** = 12" 4Ft. LED Corner Mount

Note: ¹ Requires 90-degree offset 1/4" driver and VRSB bit for installation.

PENDANT MOUNT: Suspension Sets - Stem Sets **XX** = Length (6, 8, 12, 24, 36, 48, 60, 72)

SCF-XX-B = Fixed Stem Set

Used with all surface fixtures as stem sets. One set consists of one stem assembly. Minimum of two sets required per fixture. Not rated WL under covered ceiling.

NOTE: Coupler, 3/8" IPS Pipe Coupler to join lengths. Coupler is standard baked white enamel or special order of black. Must specify pendant mount (PM) option on luminaire.

Lifetime Warranty

Fail-Safe will repair or provide a replacement fixture for any VR architectural luminaire found to be inoperative due to physical abuse for the duration of the installation. ** This includes all VR polycarbonate lens luminaires. This warranty is only valid to proper installation of the luminaire, using the four-point mounting method for all luminaires. Furthermore, Fail-Safe cannot warranty product against some forms of anti-social human behavior involving corrosive chemicals, fire, paint or gunfire.

** To make a claim, contact your Cooper Lighting Solutions Agent to arrange an RMA (Return Material Authorization) for the claimed product. Upon receipt and verification of the defect, Cooper Lighting Solutions will return to you a repaired or, at Cooper Lighting Solutions' sole option, replacement fixture.