



Calculite LED 4" generation 3 provides excellent performance coupled with optimized installation flexibility. Industry leading visual comfort and uniform illumination make it an ideal choice for open office, institution, healthcare, and retail applications.

Standard luminaire: Complete luminaire = Frame + Engine + Trim + Accessories (optional)

Flex install luminaire: Complete luminaires = Engine (F) + Trim + Accessories (optional)

Follow the ordering guidelines below. Each step is a separate order line.

Project: _____

Location: _____

Cat.No: _____

Type: _____

Qty: _____

Notes: _____

Step 1 Frame: Ordered & shipped separately.



Frame Example: 4R
4R

Step 2 Engine & Trim: Ordered & shipped as a single product.



Engine Example: C4L15935MZ10U-C4RWWCCP
C4L - **C4R**

Step 3 (optional) Accessories: Ordered & shipped separately.

Frame

Example: 4R

Series	Installation	Voltage/Options	
4R			
4R 4" Non-IC Round	N New construction	— Universal 120/277/347V EM6 Emergency, 6W Self-Test/Self-Diagnostic ¹ LC Chicago Plenum ²	BAC Meets the requirements of the Buy American Act of 1933 (BAA) ^{9,10} BABAF Meets the requirements of the Build America Buy America Act for projects funded through FHWA that are obligated before October 1, 2026, and meets the Buy America preferences for FTA ^{9,10}
	R Remodeler	— Universal 120/277/347V	BAC Meets the requirements of the Buy American Act of 1933 (BAA) ^{9,10} BABAF Meets the requirements of the Build America Buy America Act for projects funded through FHWA that are obligated before October 1, 2026, and meets the Buy America preferences for FTA ^{9,10}

Engine

Example: C4L20930MZ10D20UF

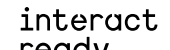
Series	Lumens	CRI/CCT	Beam	Dimming	Options	Voltage	Options
C4L							
C4L Calculite LED 4" gen 3	05 500lm	927 90CRI/2700K	N Narrow (43°)	Z10 0-10V 1%	— None D20 Dim to Off	U 120/277V 3 347V (Z10 only)	F Flex install ⁶ (no frame required) R Retrofit ⁷ RH Retrofit for tall collar frame ⁷ BAC Meets the requirements of the Buy American Act of 1933 (BAA) ^{9,10} BABAF Meets the requirements of the Build America Buy America Act for projects funded through FHWA that are obligated before October 1, 2026, and meets the Buy America preferences for FTA ^{9,10}
	10 1000lm	930 90CRI/3000K					
	15 1500lm	935 90CRI/3500K	M Medium (56°)	L01 Lutron PEQ0 EcoSystem 0.1% (up to 2000lm)	U 120/277V		
	20 2000lm	940 90CRI/4000K		L1 Lutron LDE1 EcoSystem (500lm not available)			
	25 2500lm	950 90CRI/5000K ³	W Wide (76°)	RA Integral Interact RF sensor ⁶ (enables wireless connected lighting control)	U 120/277V		
	30 3000lm*	D2W 90CRI/3000K to 1800K ⁴ (dim-to-warm)		D DALI 0.1%		— None LIN Linear	
* See marked spacings requirements on page 9.				SOL EldoLED Solo 0-10V 0.1%	— None	U 120/277V	
				DMX Digital Multiplexing w/RDM 0.1%	LIN Linear SQR Square		
				E Forward & Reverse Phase (up to 2500lm)		1 120V	

Trim

Example: C4RWWCCP

Series	Aperture	Style	Finish	Flange	Options
C4	R				
C4 Calculite LED 4" gen 3	R Round	WW Open Wall Wash	BK Black (anodized)	— White (matte)	IEM6 Trim mounted EM test switch
		LW Lensed Wall Wash ⁸	CL Specular clear	P Polished (matches aperture)	BAC Meets the requisites of the Buy American Act of 1933 (BAA) ^{9,10}
		CW Corner Wall Wash ⁹	CC Comfort clear	F Flangeless (requires CA4RFT)	BABAF Meets the requirements of the Build America Buy America Act for projects funded through FHWA that are obligated before October 1, 2026, and meets the Buy America preferences for FTA ^{9,10}
		DW Double Wall Wash ⁹	CD Comfort clear diffuse CZ Champagne bronze		
			WH White (matte)	— White (matches finish)	
			WHAMF White (gloss antimicrobial)	F Flangeless (requires CA4RFT)	

See footnotes on page 2.



C4RWW Calculite LED 4" gen 3

Round Wall Wash

Accessories (Not currently BAA-compliant) learn more below

SWCS	Interact Ready System Bridge Accessory (refer to SWCS spec sheet for options and details)
4RNSR	4" round/square non-IC frame with Flex (F) light engine (provides mechanical support for rough-in construction only, no junction box)
LCEM6	Field installable Bodine BSL06 emergency battery pack (for Flex (F) light engine only, includes switch mounting plate)
T347-75VA	347:120V step-down transformer for non-IC (N) frame only (see page 3)
7920	Sloped ceiling 4" adapter for 4RN and 4RA frames, specify with flanged trims only. (refer to SCA spec sheet for slope options)
CA4RFT	Mud-in ring for 4" round flangeless trim installs (ordered with flangeless trim)
CAEM6	Field-installable Bodine BSL6 6W battery pack with self-test/ self-diagnostic (for new construction frames, 120-277V) (see page 3 for details)
C4RVPWH	IP65 Rated vandal proof matte white accessory mounts onto flangeless trims (C4RDL□F) and new construction frame only
CAEM6TSCP	Emergency test switch mounting plate. Must be ordered with EM6 frame for remote test switch (see page 3)

Round Wall Wash

Photometric - Downlights with CRI of 90+ & R9 of 50+

Lumen Package	Beam	Flux (lm)	Efficacy (lm/W)	Beam Angle	CBCP	CRI	R9	IES TM-30-18			UGR
								R _r	R _g	R _{cs,ht}	
500 lm	Open (WW)	555	91	—	—	90+	50+	91	99	-6%	10
	Lensed (LW)	396	65	—	—	90+	50+	91	99	-6%	16
1000 lm	Open (WW)	937	93	—	—	90+	50+	91	99	-6%	12
	Lensed (LW)	668	66	—	—	90+	50+	91	99	-6%	18
1500 lm	Open (WW)	1348	96	—	—	90+	50+	91	99	-6%	13
	Lensed (LW)	961	69	—	—	90+	50+	91	99	-6%	19
2000 lm	Open (WW)	1731	94	—	—	90+	50+	91	99	-6%	14
	Lensed (LW)	1234	67	—	—	90+	50+	91	99	-6%	20
2500 lm	Open (WW)	2174	92	—	—	90+	50+	91	99	-6%	15
	Lensed (LW)	1549	66	—	—	90+	50+	91	99	-6%	21
3000 lm	Open (WW)	2630	89	—	—	90+	50+	91	99	-6%	16
	Lensed (LW)	1874	63	—	—	90+	50+	91	99	-6%	22

Footnotes

- Emergency (EM6) frame is compatible with reflector mounted test switch when trim is ordered with IEM6 option code (not compatible with 347V configurations). For remote mount switch, order standard trim and CAEM6TSCP mounting plate accessory.
- Chicago plenum (LC) frame option not available with BAC nor EM6 options.
- Consult factory for 5000K CCT (50) with narrow (N) beam.
- Dim-to-warm (D2W) available only with Z10 dimming up to 2000lm. Narrow (N) and medium (M) beam engines only.
- Linear driver profile (see page 8).
- Flex install option requires light engine (F)/trim only (up to 2500lm). For use only with optional 4RNSR new construction frame accessory available. Not available with Interact (RA) dimming and IEM6 trim options. See page 3 for further details.

- Retrofits select legacy luminaires (E & Z10 dimming only see pages 3 & 8).
- Lensed Wall Wash (LW) not available with IEM6 integral emergency test switch (remote only).
- BAA and compliance requires that BAC option be selected for each of frame, engine, and trim. BABA compliance requires that BABAF option be selected for each of frame, engine, and trim. Frame, engine and trim will be shipped together as a single product. Accessories (optional) are not currently BAA- or BABA-compliant.
- Failure to properly select the "BAC" suffix could result in you receiving product that is not BAA compliant product with no recourse for an RMA or refund. This BAC designation hereunder does not address (i) the applicability of, or availability of a waiver under, the Trade Agreements must be funded by October 1, 2026.



AccuRender Technology (CRI 90+)

The right light brings colors to life. Our new AccuRender technology helps ensure colors are rendered more accurately and consistently, while doing so as efficiently as CRI 80 products.



Standard CRI 80
Good color rendering and high efficacy



Standard CRI 90
Better color rendering and low efficacy



AccuRender
Best color rendering, color preference and high efficacy

Enjoy design flexibility

Full range of products and options:

- Available soon in across Lightolier portfolio for application flexibility
- Multiple color temperatures (CCTs) and lumen packages offered

Promote savings

High efficacy, with no penalty:

- Energy efficacy compares well to conventional 80 CRI
- Up to 25% more energy savings vs competitor 90 CRI¹
- Helps meet Title 24 requirements

Show your true colors

High color rendering:

- True to life colors that help energize your environment and render better flesh tones critical for healthcare hospitality and retail applications.
- R_a up to 94 CRI
- R_g up to 67 CRI
- G_a up to 99 CRI
- C_g up to 94 CRI
- R_r up to 92 TM-30
- R_{r,ht} up to 91 TM-30
- R_g up to 100 TM-30
- R_{cs,ht} up to -5% TM-30

Achieve color balance

Best in class color consistency:

- Promote aesthetic harmony in your space with ≤ 2 SDCM

C4RWW Calculite LED 4" gen 3

Round Wall Wash

Frame-in-kits

New Construction:

Galvanized stamped steel for dry or plaster ceilings. Preinstalled telescoping mounting bars from 13" to 24". For 4' distances, use 1/2" EMT, 1-1/2" x 1/2" U or C channel.

Max ceiling thickness for Lensed Wall Wash (LW) is 1-1/2" and for Open, Corner, Double Wall Wash (WW, CW, DW) is 2".

Patented install Mounting frame:

- Pre-installed mounting bars for fast and tool-less installs into T-grid & hat channel ceilings.
- Close-cut aperture design eliminates possibility of gap between ceiling opening and reflector flange.
- Separate wiring compartment for wiring frame to building allows inspection prior to light engine install.
- Simple plug-and-play connection between frame and light engine from below ceiling.

Retrofit

- Easily updates legacy Calculite downlights to the latest LED technology. Includes light engine, trim, and driver mounted on cover plate that mounts to junction box of previous Calculite generations. Order with R or RH option code at end of light engine catalog number (see details on page 6).

Compatibility:

Frames	Engines
With CFL S4118_series	Use Retrofit configuration C4R_ Trim + C4L_ Engine
With INC AS400_series	Use Retrofit configuration C4R_ Trim + C4L_ Engine
With LED C4L_N series C4X4L_N series P4RD_N_series	Use Retrofit configuration C4R_ Trim + C4L_ Engine C4S_ Trim + C4L_ Engine C4R_ Trim + C4L_ Engine

* Not available for retrofitting luminaires with integral emergency battery.

Emergency

Bodine BSL6 6W battery pack with self-test/diagnostic functionality. Factory or field mounted to frame.

- For trim with integral emergency test switch, order trim with IEM6 option (ex: C4RWWCCIE6).
- For remote ceiling mounted test switch, order standard trim (ex: C4RWWCC). Optional accessory ceiling mounting plate available (CAEM6TSCP) for remote mounted test switch.
- Refer to Calculite-LyteProfile-EasyLyte Emergency Battery Pack specification sheet for more details.

Dimming

All configurations are FCC Class A unless otherwise specified.

- Advance 0-10V 1% (Z10), logarithmic curve is standard. Specify D20 for factory-set dim-to-off function, consult factory for linear dimming curve.
- EldoLED SOLODrive (SOL) 0-10v 0.1%
- Lutron PEQ0 (L) Hi-Lume Premier 0.1% EcoSystem
- Lutron LDE1 (L01) EcoSystem 1%
- Electronic low voltage (E) - forward or reverse phase dimming. Remodel and AirSeal IC Shallow are FCC Class B
- DALI (D) - DT6 DALI 0.1%
- DMX (DMX) - Digital Multiplexing with RDM 0.1%

Dimming Options

The following are factory-set options for the SOL, D, and DMX driver options (ex. DMXLIN):

- SOL/D/DMX: Logarithmic (-) standard
- SOL/D/DMX: Linear (LIN)
- SOL/DMX: Square (SQR)
- Dim to Warm (D2W): option changes CCT from 3000-1800K gradually as it dims. Use with Z10 dimming only. Fixture-to-fixture consistency of $\leq 3\text{SDCM}$ at 2700K & 3000K, and $\leq 5\text{SDCM}$ at 1800K.

Optical systems

Comfort throughout the space:

True 50° physical cutoff and 45° reflected cutoff.

Quality of light:

2 SDCM ensures color consistency from fixture to fixture and over the luminaire's long lifetime.

MesoOptics PET optical diffusion film:

Provides a smooth beam shape and mitigates color over angle with optimized luminaire efficiency. Mitigates LED pixilation.

Light Engine

Quick connect power pack allow for easy installation and replacement from below ceiling with no need for additional wiring. This allows for:

- Frame and ceiling installation to be performed while still finalizing details such as lumen packages, CCT and control type.
- Easy replacement of electronics at end of life with minimal wasted material and labor required.
- Ease and upgradability of technology.
- 347V light engines are Z10 dimming only and include dedicated 347V driver. For 347V non-Z10 dimming, order T347-75VA field-installed step-down transformer accessory.

Flex engine (F)

- Frame-optional engine suited for new construction, remodel, and retrofit applications.
- 4RNSR new construction frame accessory available as required to support ceiling construction.
- All wiring is done on the integral j-box to the engine.

Options and Accessories

Flangeless mud-in ring: Use CA4RFT

for use with flangeless plaster installations.

Sloped ceilings: Compatible with sloped ceiling adapters (see SCA spec sheet).

Vandal Proof: C4RVPWH includes machined aluminum ring painted white, gasketed for IP65 protection, and impact resistant polycarbonate lens (IK10). Locks in place with discrete setscrew (key included). Available also with antimicrobial finish (C4RVPWHAMF).

CAEM6TSCP: Ceiling cover plate for remote mounted EM6 test switch. 1/2" (25mm) hole, 4 3/8" (109mm) x 2 3/4" (69mm) rectangular. Includes two mounting screws.

Field Installed Emergency: Refer to Calculite-LyteProfile-EasyLyte Emergency Battery Pack specification sheet for more details.

CAEM6: Field install EM6 kit with Bodine BSL6 6W battery pack with self-test/self-diagnostic, mounts to new construction frames. Includes remote ceiling plate for test switch. To mount test switch to trim for new construction frame, order trim with IEM6 option code (e.g. C4RWWCCIE6). Refer to Calculite-LyteProfile-EasyLyte Emergency Battery Pack specification sheet for more details.

SWCS: Interact Ready System Bridge Accessory. Requires IRT9015 IR remote and Interact Pro App for commissioning.

T347-75VA: Field installable 347:120V 75VA step-down transformer, attaches to knock out on frame junction box, for use with non-IC (N) frames. Not for use with emergency options.

Title 24 exceptions

- 1000lm configurations
- Champagne Bronze & Black finishes

Labels and Listings

- cULus listed for wet locations
- RoHS certified
- CEC Title 24 JA8 certified
- CCEA (frames with *LC suffix)
- Red List Declare label certified, ID SIG-0021 ([View full Declare label](#))

Warranty



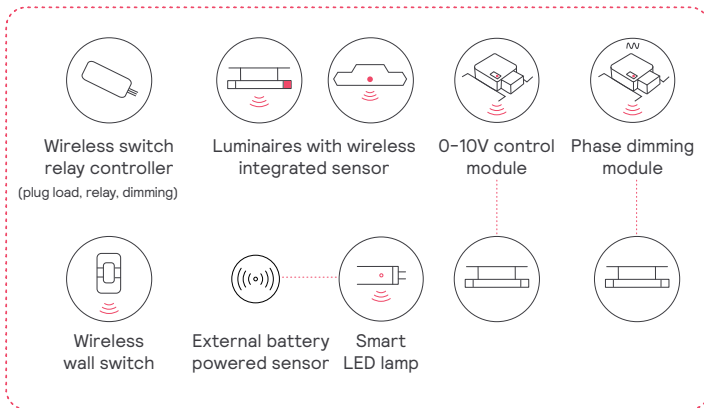
5 year limited warranty
Visit [Signify.com/warranties](https://www.signify.com/warranties) for more information on Signify's standard 5-year limited warranty on complete luminaire systems.

C4RWW Calculite LED 4" gen 3

Round Wall Wash

Signify
interact

Easy. Effective. Smart.



Meet Interact

A smart, wireless luminaire level lighting control system (LLLC). A complete solution that combines modern and intuitive technologies for easy installation and specification.

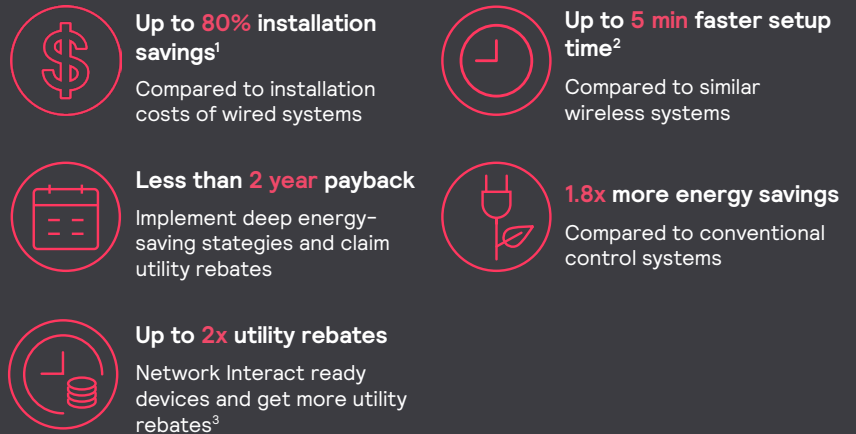
- Works with or without gateway
- **No** IT
- **No** light point restrictions
- **Up to 75%** out of the box savings
- **Fast & easy**
- **Code & rebates** compliant

Capabilities



*Grouping, zoning, dimming, high-end trimming, scenes, scheduling, manual controls

Benefits



1. Versus legacy systems based on installer interviews
2. Based on installer analysis done by Signify for a typical multi-zone space
3. Utility programs across US

Just lights and an App



1. Install the Interact ready fixtures with embedded smart sensor
2. Install the wireless wall switch
3. Configure your setup with the Interact App
4. Leverage the IRT9015 remote accessory to accelerate your setup process
5. Optionally add a gateway for insights and management

Learn more about Interact:

Interact includes an app, a web portal, and a comprehensive range of Interact ready wireless luminaires, lamps, retrofit kits, and control devices like switches and sensors that operate within the same system.



C4RWW Calculite LED 4" gen 3

Round Wall Wash

Controls Options*

Interact radio node for Standalone,

Gateway & Gateway + IoT tiers (RA)

- RA sensor option is a connected radio node supporting wireless mesh connectivity.
- Compatible with standalone and gateway modes of Interact.

Interact occupancy & daylight sensor for Standalone, Gateway & Gateway + IoT tiers (CS)

- The CS sensor option is a connected sensor with built-in occupancy and daylight detection, along with wireless mesh connectivity.
- Compatible with standalone and gateway modes of Interact.

Interact advanced sensor bundle for

Gateway + IoT tier (SB)

- SB sensor option offers occupancy and daylight sensing and supports advanced IoT capabilities, such as desk-level temperature and humidity monitoring, noise classification, and Bluetooth Low Energy (BLE) beacon functionality.
- Setup requires a compatible gateway and internet connectivity.
- With compatible gateway and software analytics, SB sensor option enables greater building efficiency, seamless system integration, and optimized space utilization through occupancy and environmental insights.

Interact for intelligent buildings sensor option codes across Genlyte product lines*

	Sensor part #	Daybrite	Ledalite	Lightolier
Zigbee + Bluetooth	SC100B	RADIO	RA	RA
Zigbee + Bluetooth + Sensing	SC200B	SWZCS	CS	SBA or SWCS accessory
Zigbee + Bluetooth + Sensing + Environmental data	SC1500	IAOSB	SB	SBA or SWCS accessory
Zigbee + Highbay + Bluetooth + Sensing	SNH210 IA	SWZCSH	-	-

C4RWW Calculite LED 4" gen 3

Round Wall Wash

Reflector



Specular clear (CL): Most specular and most efficient finish, delivers maximum photometric performance but can produce a mirror image effect of the interior space.



Champagne bronze (CZ): Semi-specular finish that softens light at the source of the reflector while providing a warmer reflector appearance (slightly warmer).



Comfort clear (CC): Semi-specular finish that softens the light at the source of the reflector and creates a subtle, even luminance from the reflector cone.



White (WH): (matte) Brightest illuminated aperture and provides the smoothest transition to most ceilings when off (white is only available with a white flange).



Comfort clear diffuse (CD): Slightly diffuse clear finish, that eliminates iridescence and reduces the mirror image effect inherent with specular finishes.



Black (BK): (anodized) Specular finish that provides the lowest aperture brightness possible and significantly reduces source identification in a ceiling.



Vandal proof (VP): Provides an elegant solution for vandal resistant needs. One piece machined aluminum ring with impact resistant clear lens. Flangeless (F) flange must be ordered. Provides the luminaire with an IK10 impact and IP65 rating.

Flange



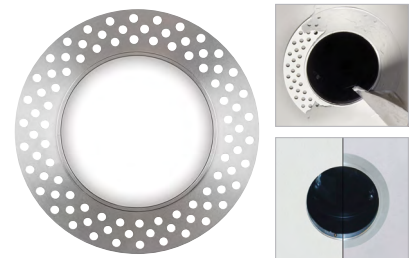
White (-): (matte) Provides the smoothest transition to ceilings when off.



Polished (P): (matches aperture) Produces a continuous look throughout the reflector (aperture matching).



Flangeless (F): (flush-mount) Creates a flush, virtually seamless transition from aperture to ceiling.

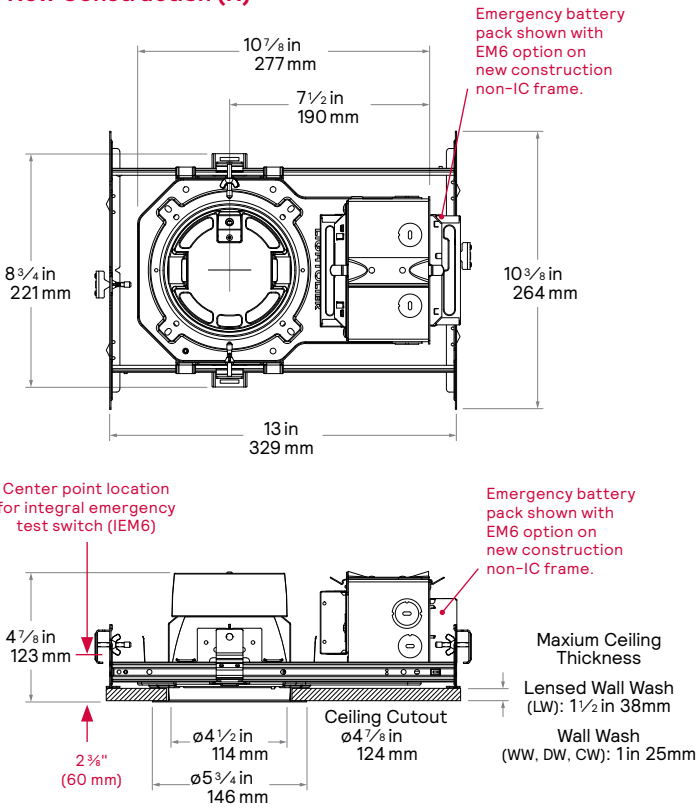


Mud-in ring (FT): Low profile, machined aluminum mud-in ring provides a raised rib to plaster up to and a 3/16" flange thickness. The ring is attached to the ceiling material as opposed to the frame-in kit to avoid conduction of heat and vibration which can cause yellowing or cracking of the plaster.

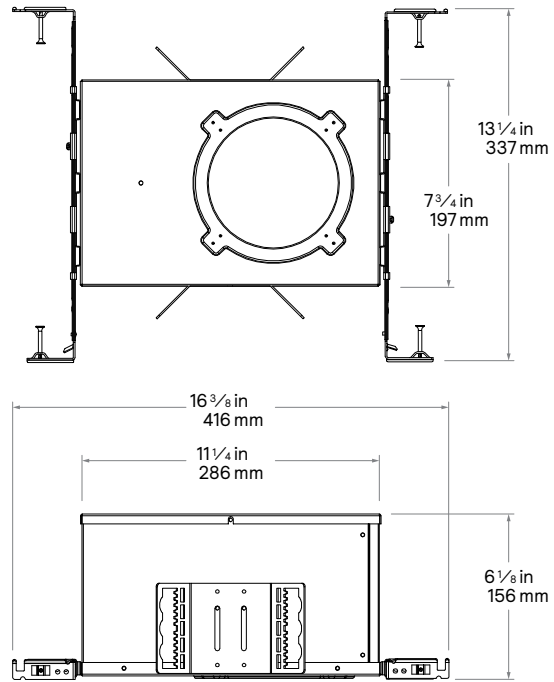
C4RWW Calculite LED 4" gen 3

Round Wall Wash

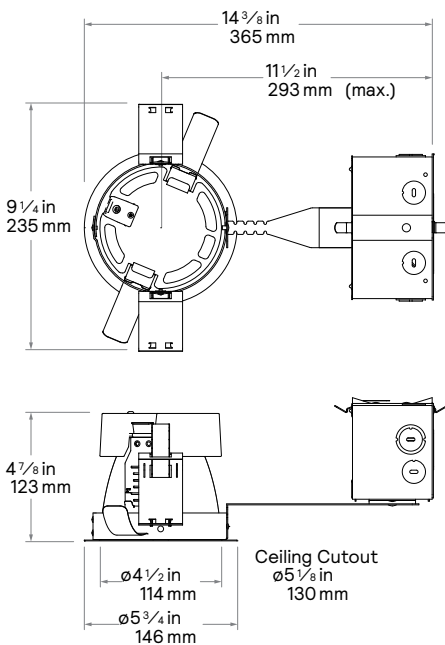
New Construction (N)



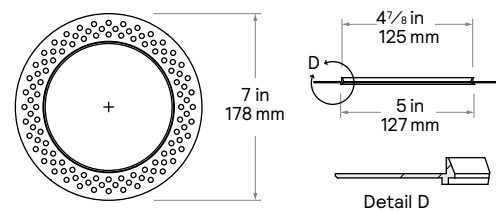
Chicago Plenum (LC)



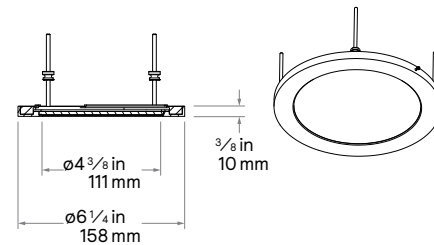
Remodeler (R)



Flangeless mud-in ring (CA4RFT) accessory



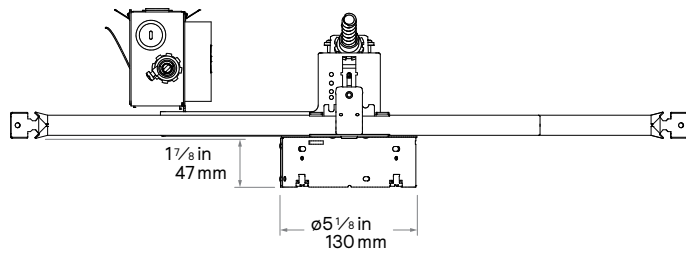
Vandal Proof (VP) accessory



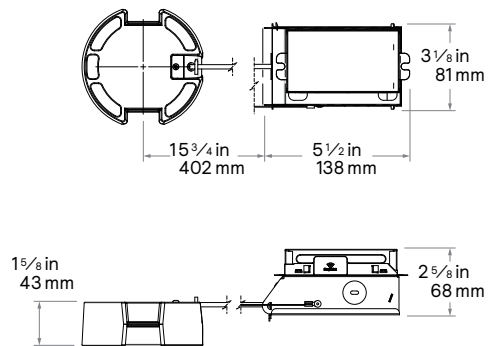
C4RWW Calculite LED 4" gen 3

Round Wall Wash

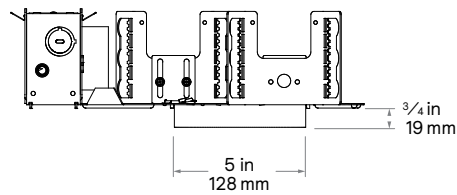
Round tall collar frame (RH type light engine required)



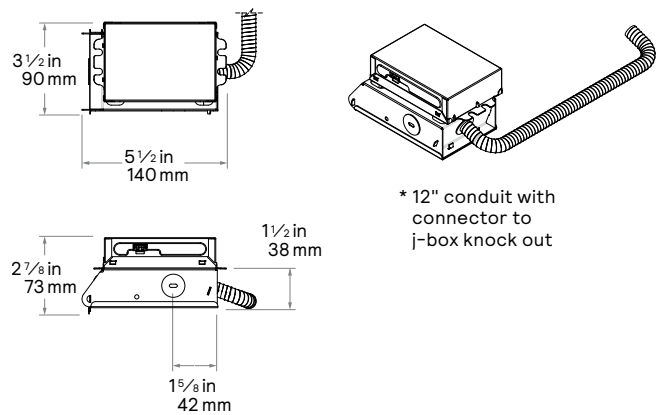
Flex Install (F)



Round standard steel frame (R type light engine required)

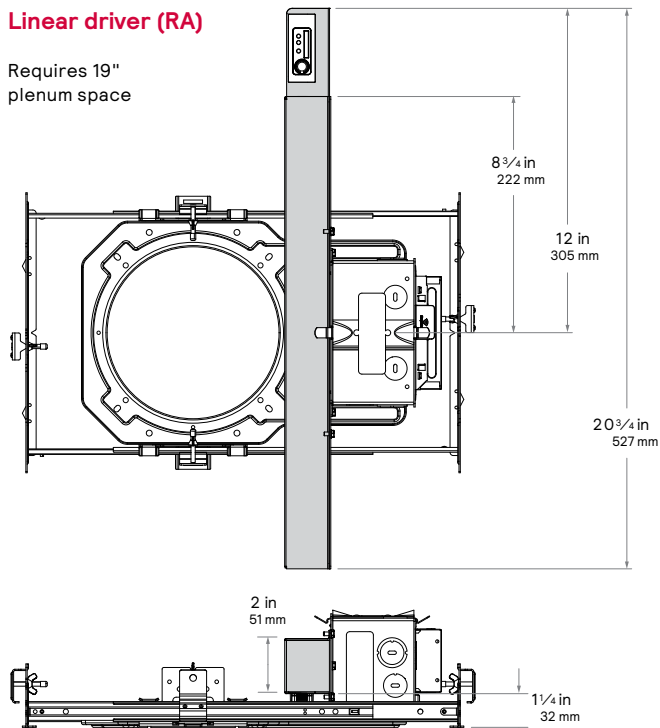


LCEM6 Flex install (F) engine only



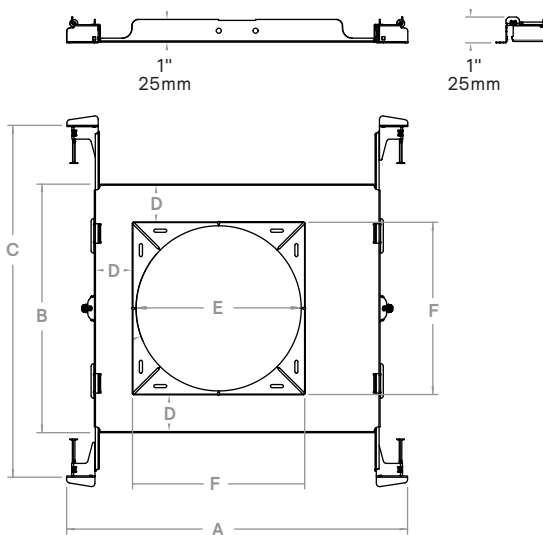
Linear driver (RA)

Requires 19" plenum space



Sensor shown for RA light engine only.

4RNSR Flex install non-IC frame



A	B	C	D	E	F
10 7/8"	7 1/4"	13 5/8"	1"	4 7/8"	5 1/4"
276mm	184mm	345mm	25mm	124mm	132mm

C4RWW Calculite LED 4" gen 3

Round Wall Wash

Electrical - Narrow

Light engine	Input Volts	Input Freq.	Input Current	Drive Current	Input Power	LED Power	THD	Power
							@ Max Load	Factor
500lm	120V	50/60Hz	0.050A	0.15A	6.0W	4.8W	<10%	>0.9
	277V	50/60Hz	0.023A	0.15A	6.3W	4.8W	<30%	>0.9
	347V	50/60Hz	0.020A	0.15A	7.0W	4.8W	N/A	>0.9
1000lm	120V	50/60Hz	0.072A	0.22A	8.7W	7.1W	<10%	>0.9
	277V	50/60Hz	0.032A	0.22A	8.9W	7.1W	<20%	>0.9
	347V	50/60Hz	0.029A	0.22A	10.1W	7.1W	<30%	>0.9
1500lm	120V	50/60Hz	0.108A	0.33A	12.9W	10.8W	<10%	>0.9
	277V	50/60Hz	0.047A	0.33A	13.0W	10.8W	<10%	>0.9
	347V	50/60Hz	0.043A	0.33A	14.8W	10.8W	<25%	>0.9
2000lm	120V	50/60Hz	0.147A	0.45A	17.6W	14.9W	<10%	>0.9
	277V	50/60Hz	0.064A	0.45A	17.7W	14.9W	<10%	>0.9
	347V	50/60Hz	0.056A	0.45A	19.6W	14.9W	<20%	>0.9
2500lm	120V	50/60Hz	0.180A	0.55A	21.6W	18.3W	<10%	>0.9
	277V	50/60Hz	0.078A	0.55A	21.7W	18.3W	<10%	>0.9
	347V	50/60Hz	0.066A	0.55A	22.9W	18.3W	<20%	>0.9
3000lm	120V	50/60Hz	0.231A	0.70A	27.7W	23.7W	<10%	>0.9
	277V	50/60Hz	0.100A	0.70A	27.6W	23.7W	<10%	>0.9
	347V	50/60Hz	0.083A	0.70A	28.9W	23.7W	<15%	>0.9

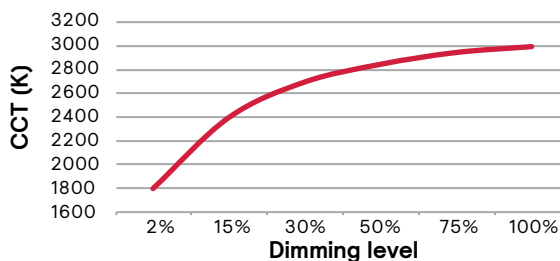
Electrical - Medium & Wide

Light engine	Input Volts	Input Freq.	Input Current	Drive Current	Input Power	LED Power	THD	Power
							@ Max Load	Factor
500lm	120V	50/60Hz	0.051A	0.15A	6.1W	4.8W	<10%	>0.9
	277V	50/60Hz	0.023A	0.15A	6.4W	4.8W	<30%	>0.9
	347V	50/60Hz	0.020A	0.15A	7.1W	4.8W	N/A	>0.9
1000lm	120V	50/60Hz	0.084A	0.25A	10.1W	8.3W	<10%	>0.9
	277V	50/60Hz	0.037A	0.25A	10.3W	8.3W	<10%	>0.9
	347V	50/60Hz	0.034A	0.25A	11.7W	8.3W	<30%	>0.9
1500lm	120V	50/60Hz	0.117A	0.36A	14.0W	11.8W	<10%	>0.9
	277V	50/60Hz	0.051A	0.36A	14.1W	11.8W	<10%	>0.9
	347V	50/60Hz	0.046A	0.36A	16.0W	11.8W	<25%	>0.9
2000lm	120V	50/60Hz	0.153A	0.47A	18.4W	15.5W	<10%	>0.9
	277V	50/60Hz	0.067A	0.47A	18.5W	15.5W	<10%	>0.9
	347V	50/60Hz	0.059A	0.47A	20.3W	15.5W	<20%	>0.9
2500lm	120V	50/60Hz	0.197A	0.60A	23.6W	20.1W	<10%	>0.9
	277V	50/60Hz	0.085A	0.60A	23.6W	20.1W	<10%	>0.9
	347V	50/60Hz	0.072A	0.60A	24.9W	20.1W	<20%	>0.9
3000lm	120V	50/60Hz	0.247A	0.75A	29.7W	25.5W	<10%	>0.9
	277V	50/60Hz	0.107A	0.75A	29.7W	25.5W	<10%	>0.9
	347V	50/60Hz	0.087A	0.75A	30.4W	25.5W	<15%	>0.9

Lifetime (TM-21) data

Lumens	Narrow beam	Medium/Wide beam
500lm	L85 @ 55,000hrs.	L90 @ 60,000hrs.
1000lm		
1500lm		
2000lm	L85 @ 55,000hrs.	L80 @ 60,000hrs.

Dim-to-Warm: CCT vs Dimmed level



Narrow (Power over Ethernet)

Light engine	Input				
	Volts ¹	Voltage ²	Freq	Current	Power
C4L10__NPE	53V	51-54V	DC	160 mA	8.9 W
C4L15__NPE	53V	51-54V	DC	250 mA	13.6 W
C4L20__NPE	53V	51-54V	DC	340 mA	18.5 W
C4L25__NPE	53V	51-54V	DC	460 mA	24.6 W

Medium (Power over Ethernet)

Light engine	Input				
	Volts ¹	Voltage ²	Freq	Current	Power
C4L10__MPE	53V	51-54V	DC	160 mA	8.8 W
C4L15__MPE	53V	51-54V	DC	250 mA	13.4 W
C4L20__MPE	53V	51-54V	DC	320 mA	17.6 W
C4L25__MPE	53V	51-54V	DC	430 mA	23.2 W

Wide (Power over Ethernet)

Light engine	Input				
	Volts ¹	Voltage ²	Freq	Current	Power
C4L10__WPE	53V	51-54V	DC	160 mA	8.8 W
C4L15__WPE	53V	51-54V	DC	250 mA	13.4 W
C4L20__WPE	53V	51-54V	DC	320 mA	17.6 W
C4L25__WPE	53V	51-54V	DC	430 mA	23.2 W

- Nominal input volts.
- Preferred volt range.

Lifetime (TM-21) data

Lumens	Narrow beam	Medium/Wide beam*
500lm	L90 @ 60,000hrs.	L90 @ 60,000hrs.
1000lm		
1500lm		
2000lm	L90 @ 60,000hrs.	L85 @ 60,000hrs.
2500lm		
3000lm*		

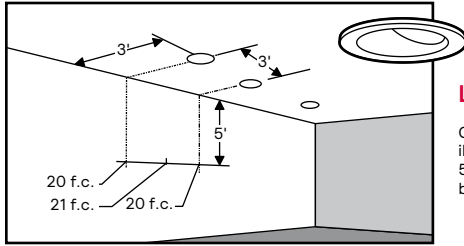
* Lutron 3000lm with Medium/Wide beam is L80 @ 60,000hrs.

Marked spacing applications

Light engine	3000lm	
C4L_Z10 series	X	Modules marked with an X require marked spacing: - Center-to-center of adjacent luminaires: 24" (610mm)
C4L_L01 series	X	
C4L_L1 series	X	
C4L_LD series	X	- Luminaire center to side building member: 12" (305mm)
C4L_LTE series	X	
C4L_D series	X	In accordance with CAN ICES-005-A/ NEB-005-A and FCC Part 15-A.
C4L_DMx series	X	
C4L_RA series	X	

C4RWW Calculite LED 4" gen 3

Round Wall Wash



Lighting Data - Example

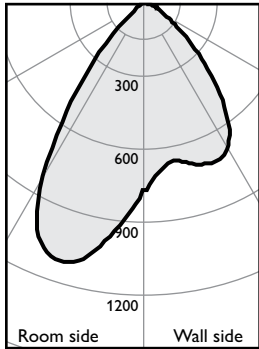
C4RWWCL / C4L15935W
illumination on the wall
5' down from the ceiling is 20 f.c.
beneath and 21 f.c. between fixtures.

Adjustment factors

Finish	CCT	Lumens
CL = 100%	90CRI, 4000K = 102%	3000lm = 200%
CC = 95%	90CRI, 3500K = 100%	2500lm = 167%
CD = 87%	90CRI, 3000K = 96%	2000lm = 133%
CZ = 63%	90CRI, 2700K = 92%	1500lm = 100%
WH = 87%		1000lm = 67%
BK = 57%		500lm = 33%

Open Wall Wash, 1500lm Engine, 96lm/W at 14W

Candela Curve



4RN / C4L15935W / C4RWWCL

Output lumens: 1348 lms
Input watts: 14.0 W
CRI: 90 min
CCT¹: 3500K

Efficacy: 96.3 lm/w
Report²: STMR-1614.2

Multiple unit data

Footcandles on wall

Distance from ceiling in feet	2' from wall		
	3' on ctr.		
1	16	13	16
2	30	25	30
3	32	30	32
4	27	27	27
5	20	21	20
6	16	16	16
7	12	13	12
8	9	10	9
9	8	8	8
10	6	6	6
12	5	5	5
14	4	5	4

Multiple unit data

Footcandles on wall

Distance from ceiling in feet	3' from wall		
	3' on ctr.		
1	7	6	7
2	13	13	13
3	19	18	19
4	21	21	21
5	20	21	20
6	18	18	18
7	14	15	14
8	12	12	12
9	10	10	10
10	8	8	8
12	7	7	7
14	6	6	6

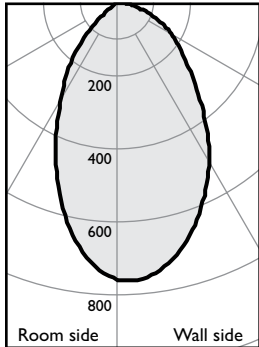
Multiple unit data

Footcandles on wall

Distance from ceiling in feet	3' from wall		
	4' on ctr.		
1	6	5	6
2	11	9	11
3	16	13	16
4	17	16	17
5	16	16	16
6	14	14	14
7	12	12	12
8	10	10	10
9	8	8	8
10	7	7	7
12	6	6	6
14	5	5	5

Lensed Wall Wash, 1500lm Engine, 69lm/W at 14W

Candela Curve



4RN / C4L15935W / C4RLWCL

Output lumens: 961 lms
Input watts: 14.0 W
CRI: 90 min
CCT¹: 3500K

Efficacy: 68.6 lm/w
Report²: STMR-1614.3

Multiple unit data

Footcandles on wall

Distance from ceiling in feet	2' from wall		
	3' on ctr.		
1	19	16	19
2	29	26	29
3	25	24	25
4	20	20	20
5	15	15	15
6	11	12	11
7	9	9	9
8	7	7	7
9	6	6	6
10	5	5	5
12	4	4	4
14	3	3	3

Multiple unit data

Footcandles on wall

Distance from ceiling in feet	3' from wall		
	3' on ctr.		
1	9	8	9
2	17	16	17
3	18	18	18
4	17	17	17
5	15	15	15
6	12	13	12
7	10	10	10
8	8	9	8
9	7	7	7
10	6	6	6
12	5	5	5
14	4	4	4

Multiple unit data

Footcandles on wall

Distance from ceiling in feet	3' from wall		
	4' on ctr.		
1	7	6	5
2	12	12	14
3	15	13	17
4	14	13	15
5	12	12	12
6	10	10	10
7	8	8	8
8	7	7	7
9	6	6	6
10	5	5	5
12	4	4	4
14	3	3	3

1. Correlated Color Temperature within specs as defined in ANSI_NEMA_ANSLG C78.377-2008: Specifications for the Chromaticity of Solid State Lighting Products.
2. Tested using absolute photometry as specified in LM79: IESNA Approved Method for the Electrical and Photometric Measurements of Solid-State Lighting Products.