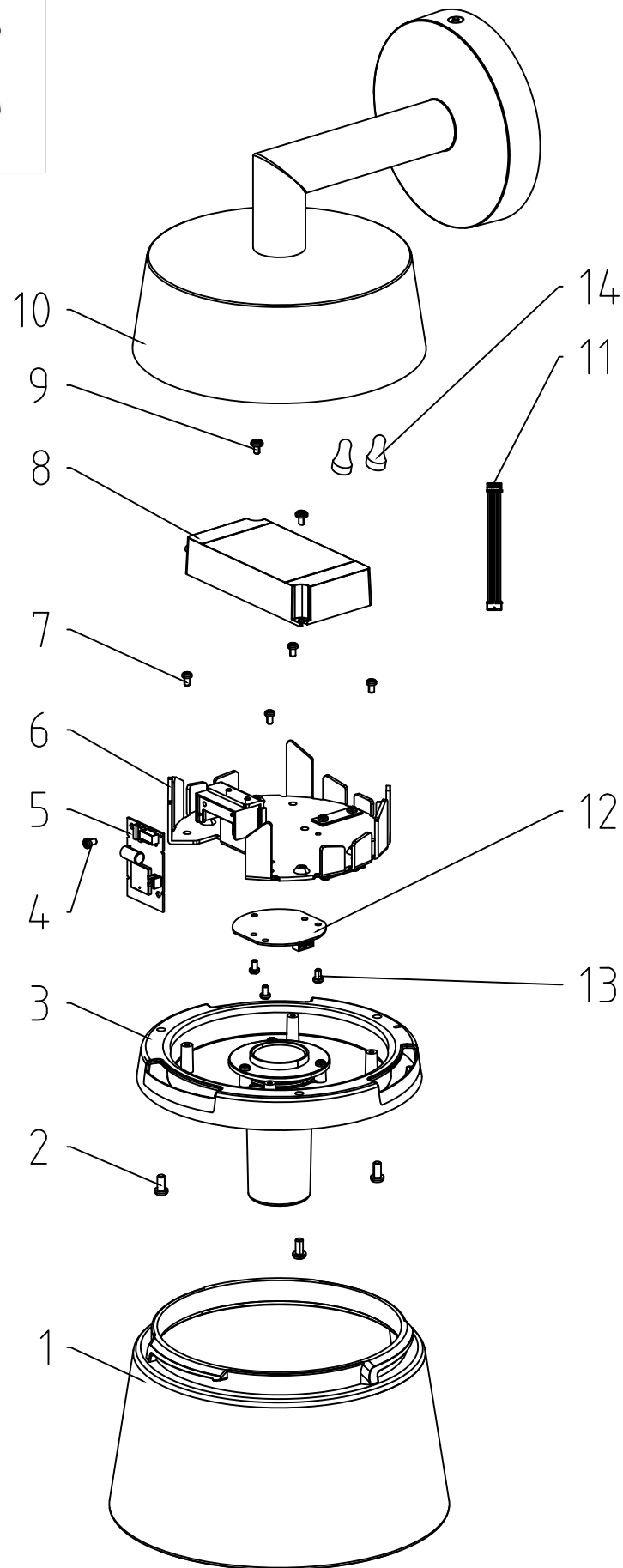


PHILIPS
hue



#	COMPONENT	QTY
1	GLASS	1
2	SCREW	3
3	COVER	1
4	SCREW	1
5	LIGHT SOURCE - HUE CONECT	1
6	HEAT SINK	1
7	SCREW	4
8	CONTROL GEAR - PSU	1
9	SCREW	2
10	BODY	1
11	FLAT CABLE	1
12	LIGHT SOURCE - LED MODULE	1
13	SCREW	3
14	CLOSED END CONNECTOR	2

SKU	Color	Country
915005842401	BLACK	EU

Warnings

Always make sure the luminaire is detached from the mains socket
Always make sure the DC cable is detached from the power supply
Staring at the operating light source may cause eye injury

#	Disassemble/dismantle steps	Tools needed
a	REMOVE THE GLASS (1)	-
b	REMOVE COVER (3) FROM THE BODY (10) BY UNSCREWING THE SCREWS (2)	CROSS HEAD SCREW DRIVER
c	REMOVE THE CLOSED END CONNECTOR (14)	PINCER
d	REMOVE WIRES OF THE CONTROL GEAR - PSU (8) FROM THE LIGHT SOURCE - HUE CONNECT (5)	FLATHEAD SCREWDRIVER OR WAGO TOOL #2065
e	REMOVE THE CONTROL GEAR - PSU (8) BY UNSCREWING THE SCREWS (9)	CROSS HEAD SCREW DRIVER
f	REMOVE FLAT CABLE (11) FROM THE LIGHT SOURCE - HUE CONNECT (5)	-
g	REMOVE LIGHT SOURCE - HUE CONNECT (5) BY UNSCREWING THE SCREW (4)	CROSS HEAD SCREW DRIVER
h	REMOVE HEAT SINK (6) FROM THE COVER (3) BY UNSCREWING THE SCREWS (7)	CROSS HEAD SCREW DRIVER
i	REMOVE THE LIGHT SOURCE - LED MODULE (12) BY UNSCREWING THE SCREWS (13)	CROSS HEAD SCREW DRIVER

STATUS	DESCRIPTION	DESIGN ID
2021-04-12	Attract lantern Black 1x8W 24V	DOC 12NC
NAME JZ	LOCAL PART ID	SH. 1
CHECKED	DATE	SH. A3-P

CONFIDENTIAL, PROPERTY OF: © 2020 Signify Holding