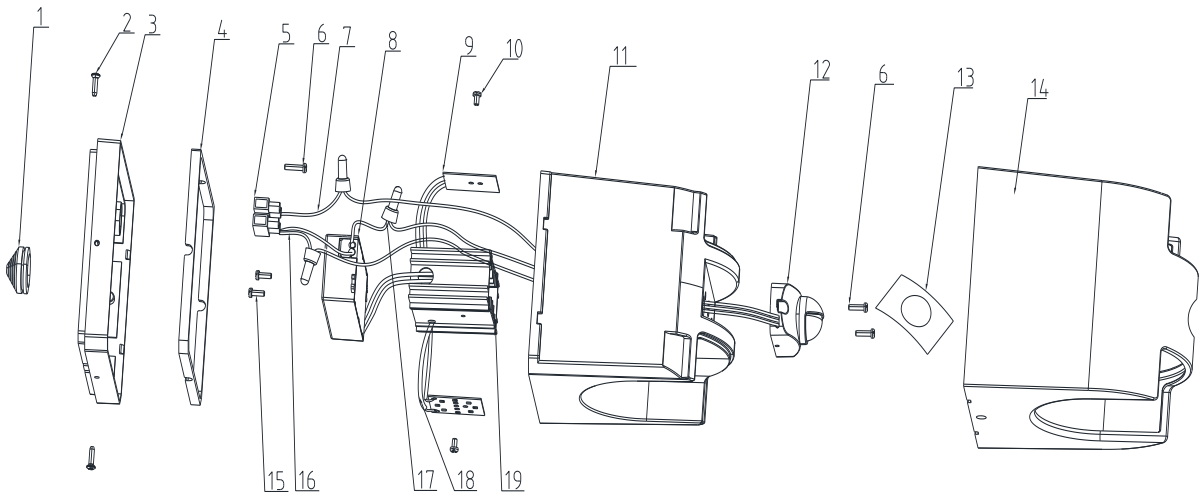


Dismantling Recommendation on Disposal at End of Life

Composition Explanation



No.	Components	Specifications	Unit	Quantity
1	φ27 gromet	TPE white	PCS	1
2	BT3*10 screw	SS 304	PCS	2
3	G03166 16OU1 wall plate	ABS black	PCS	1
4	G03166 16OU1 gasket	Rubber	PCS	1
5	Terminal block	PA10	PCS	1
6	BT2.9*14 screw	Zinc coated	PCS	1
7	VDE brown wire	H05S-K 0.75MM2	PCS	1
8	PYS-10-350 10W driver		PCS	1
9	YL20-6-8DB4W-C006		PCS	2
10	M3*5 screw	Zinc coated	PCS	2
11	G03166 16OU1 diffuser	PC110U	PCS	1
12	Philips sensor		PCS	1
13	Label		PCS	1
14	G03166 16OU1 cover	ADC12	PCS	1
15	BT2.9*8 screw	Zinc coated	PCS	2
16	CE2X closed end connector		PCS	3
17	VDE blue wire	H05S-K 0.75MM2	PCS	1
18	VDE white wire	H05S-K 0.75MM2	PCS	1
19	G03316 16OU1 heat sink	6063	PCS	1

Dismantling Recommendation on Disposal at End of Life

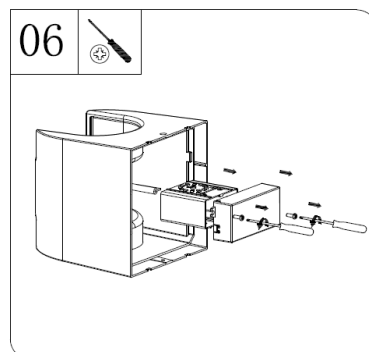
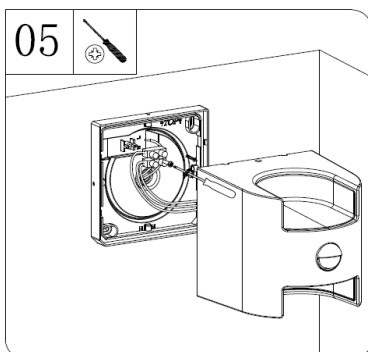
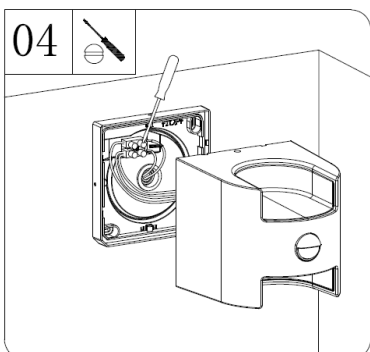
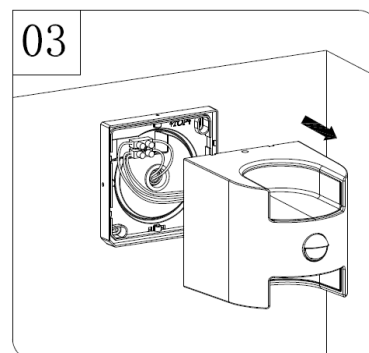
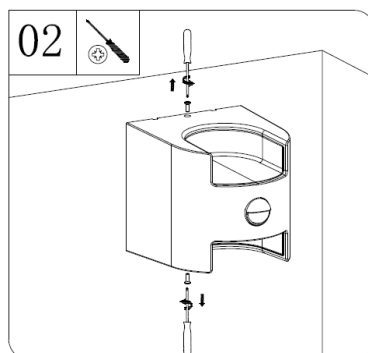
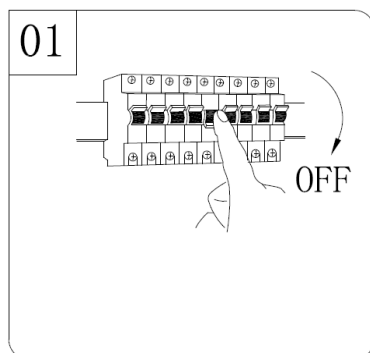
Dismantling

- Type: Without permanent damage

Recommendation on Disposal

- Plastic part: Reuse and Recycling
- Electrical part: Incineration and disposal
- Metal part: Recycling

Light source dismantling process



Dismantling Recommendation on Disposal at End of Life

