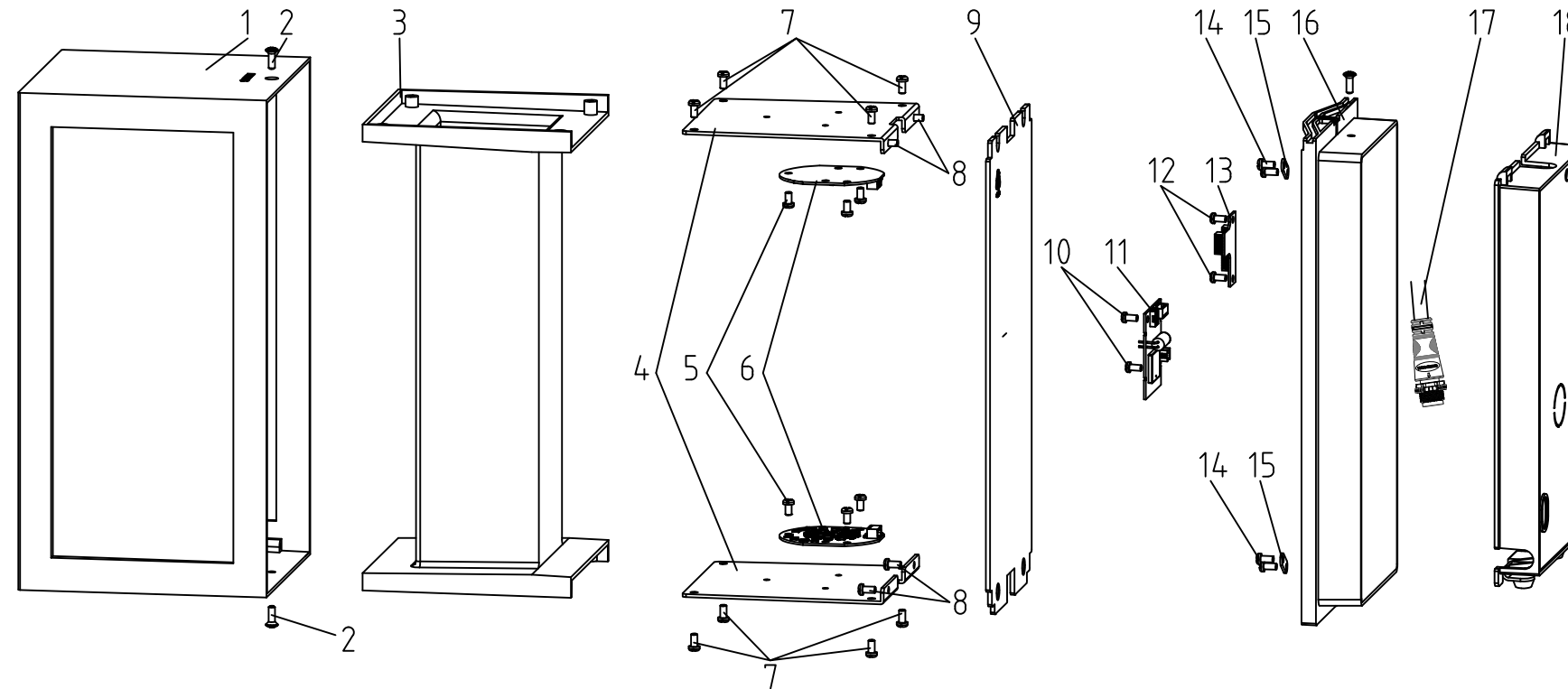


PHILIPS
hue



#	COMPONENT	QTY
1	COVER	1
2	SCREW	2
3	DIFFUSER	1
4	HEATSINK	2
5	SCREW	6
6	LIGHT SOURCE - LED MODULE	2
7	SCREW	8
8	SCREW	4
9	PLATE	1
10	SCREW	2
11	LIGHT SOURCE - HUE CONNECT	1
12	SCREW	2
13	SPLITTER	1
14	SCREW	4
15	CLAMPER	2
16	BASE	1
17	CABLE	1
18	WALL PLATE	1

Warnings

Always make sure the luminaire is detached from the mains socket
Always make sure the DC cable is detached from the power supply
Staring at the operating light source may cause eye injury

#	Disassemble/dismantle steps	Tools needed
a	REMOVE COVER (1) BY UNSCREWING THE SCREWS (2)	CROSS HEAD SCREW DRIVER
b	REMOVE DIFFUSER (3) BY UNSCREWING THE SCREWS (7)	CROSS HEAD SCREW DRIVER
c	REMOVE PLATE (9) BY UNSCREWING THE SCREWS (8)	CROSS HEAD SCREW DRIVER
d	REMOVE LIGHT SOURCE - LED MODULE (6) FROM HEATSINK (4) BY UNSCREWING THE SCREWS (7)	CROSS HEAD SCREW DRIVER
e	REMOVE SPLITTER (13) FROM THE BASE (16) BY UNSCREWING THE SCREWS (12)	CROSS HEAD SCREW DRIVER
f	REMOVE LIGHT SOURCE - HUE CONNECT FROM THE BASE (16) BY UNSCREWING THE SCREWS (10)	CROSS HEAD SCREW DRIVER
g	REMOVE THE WIRE OF CABLE (17) FROM LIGHT SOURCE - HUE CONNECT(11)	FLATHEAD SCREWDRIVER OR WAGO TOOL #2065

SKU	Color	Country
915005842101	BLACK	EU

STATUS	DESCRIPTION	DESIGN ID
2021-04-12	IMPRESS wall lantern black 2x8W 24V	DOC 12NC
NAME WH	LOCAL PART ID	SH. 1
CHECKED	DATE	SH. A3-P

CONFIDENTIAL, PROPERTY OF: © 2020 Signify Holding