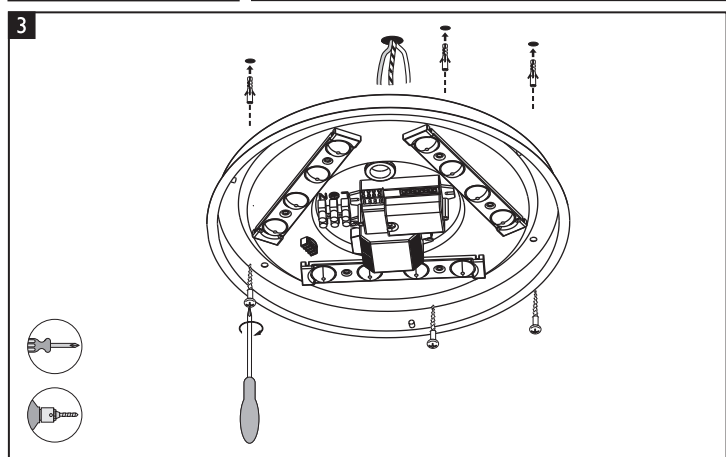
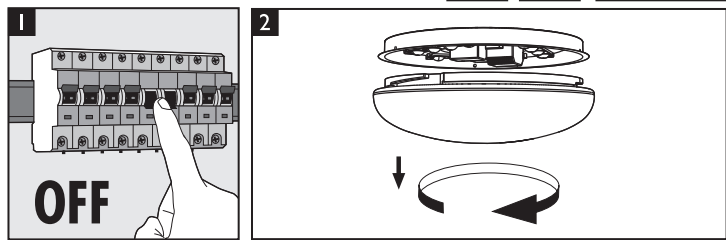
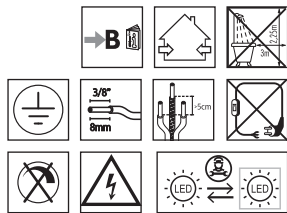
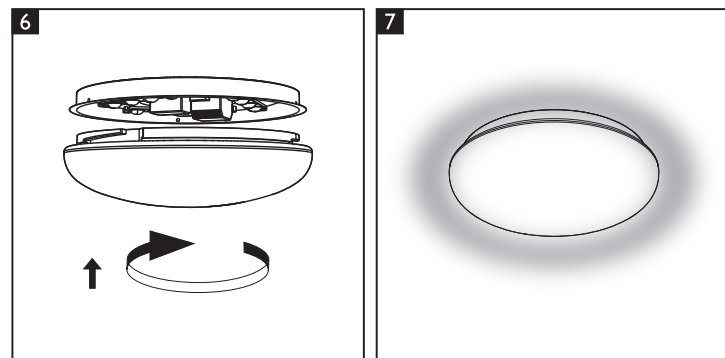
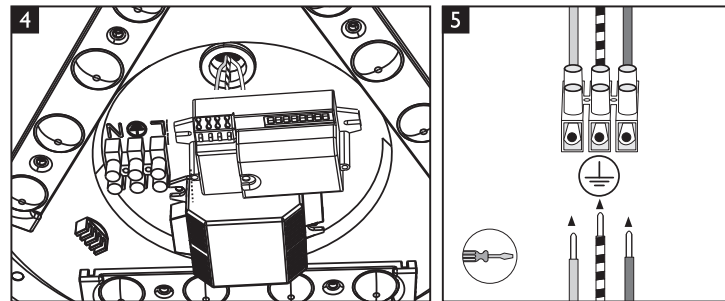


PHILIPS

Sensor Microwave

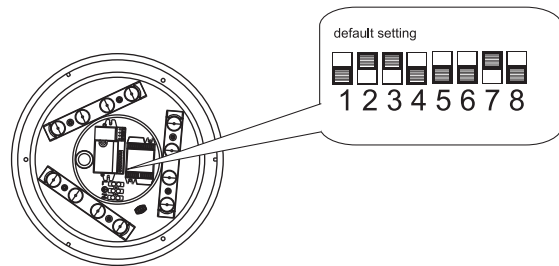
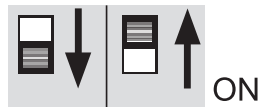


1



2

DIP switch setting



Detection Area

	1	2	
I	ON	ON	100%
II	ON	-	75%
III	-	ON	50%
IV	-	-	25%

Detection area (default 50%)
Detection area can be changed by selecting 100%, 75% or 25% on the dip switches to fit precisely in each application

Daylight Sensor

	6	7	8	
I	ON	ON	ON	2Lux
II	ON	ON	-	10Lux
III	-	ON	-	25Lux
IV	ON	-	-	50Lux
V	-	-	-	Disable

Disable
Enable mode: The sensor can be set to allow the lamp to illuminate below a defined ambient brightness threshold (2lux, 10lux, 25lux or 50lux).
Disable mode: the daylight sensor will switch on the lamp when motion detected regardless of ambient light.

Hold Time

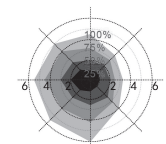
	3	4	5	
I	ON	ON	ON	5S
II	ON	ON	-	30S
III	ON	-	ON	1min
IV	ON	-	-	3min
V	-	ON	ON	5min
VI	-	ON	-	10min
VII	-	-	ON	20min
VIII	-	-	-	30min

Hold time (default 3 min.)
Refers to the time period the lamp remains at 100% illumination after no motion detected

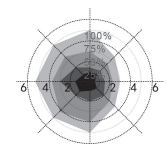
3

Detecting area
Detecting range at ceiling mounting

Ceiling mounted height: 3m
Sensitivity: 100%/75%/50%/25%



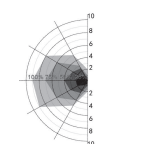
Normal moving (Speed:1m/s)



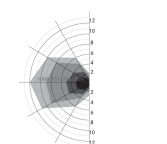
Slow moving (Speed 0.3m/s)

Detecting area
Detecting range at wall mounting

Wall mounted height: 2m
Sensitivity: 100%/75%/50%/25%

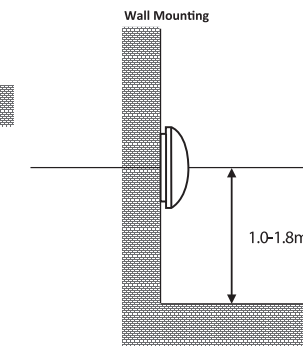
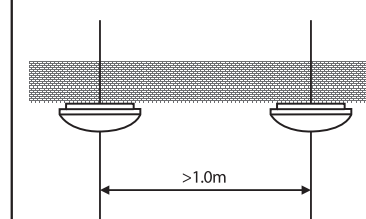


Normal moving (Speed:1m/s)



Slow moving (Speed 0.3m/s)

Application Note
Multiple Luminaires – Ceiling Mounting & Wall Mounting



F 9290022159 9290022160

Philips and the Philips Shield Emblem are registered trademarks of Koninklijke Philips N.V. and are used under license
Signify
I.B.R.S. / C.C.R.I. Numéro 10461
5600 VB Eindhoven, the Netherlands
www.philips.com/lighting
© 2021 Signify Holding

Signify Commercial UK Limited
Unit 3, Guildford Business Park,
Guildford, Surrey, GU2 8XG, UK



Signify

4

3241 654 50883