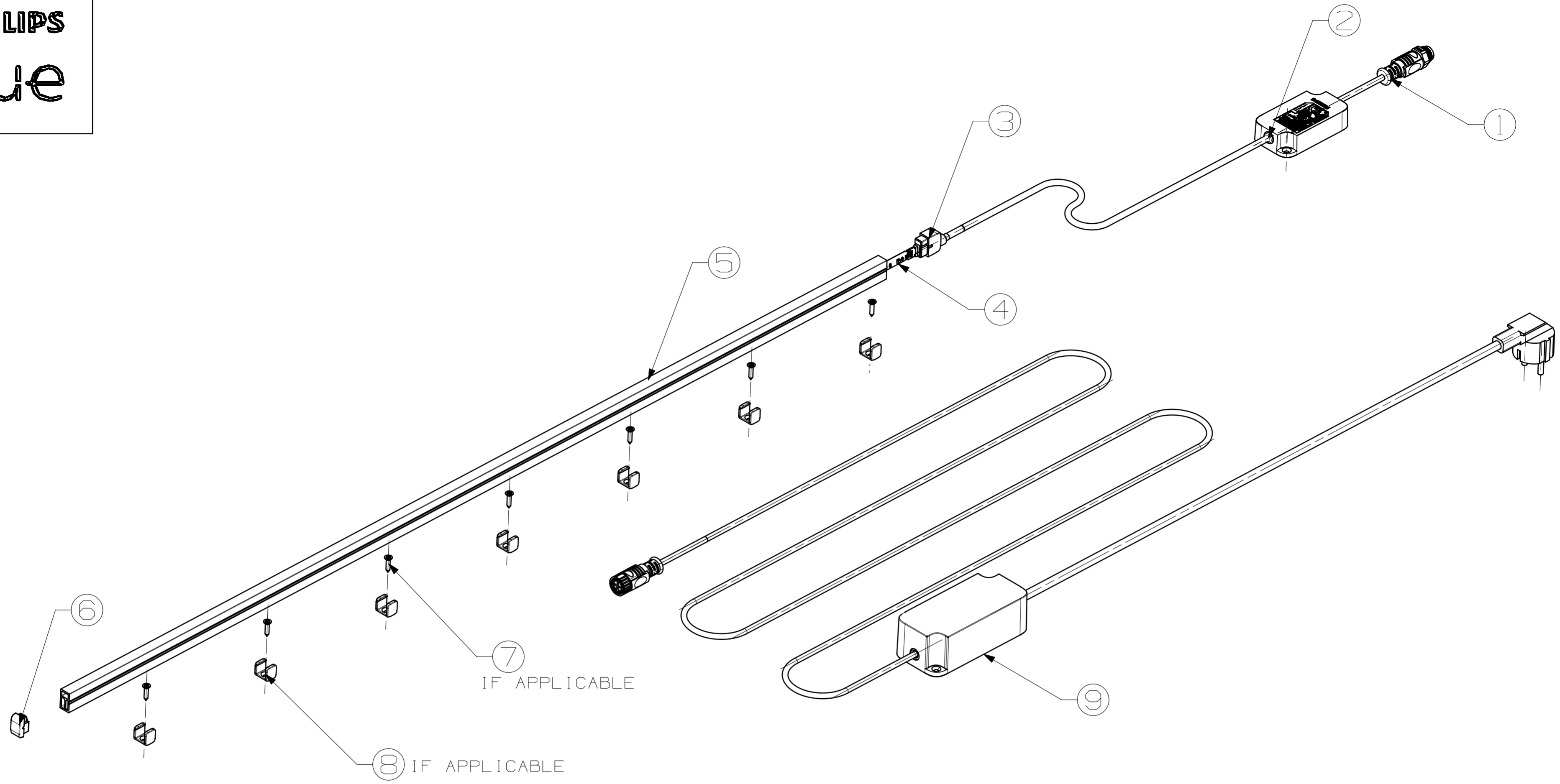


PHILIPS
hue



7 IF APPLICABLE

8 IF APPLICABLE

NOTE:
FOR LITHR SOURCE-LED STRIP REMOVAL PLEASE REFER TO DOCUMENT
442295215544_L2 REMOVAL INSTRUCTION FLEX LED STRIP

NO	Part name	QTY	NO	Part name	QTY
0	Assy_Hue Outdoor Light Strip V1 5M		0	Assy_Hue Outdoor Light Strip V1 2M	
1	IP67 connector with 0.5 cable	1	1	IP67 connector with 0.5 cable	1
2	RF-BOX	1	2	RF-BOX	1
3	Wire cap	1	3	Wire cap	1
4	L2-FPC assy(5m)	1	4	L2-FPC assy (2m)	1
5	Silicon sleeve(5m)	1	5	Silicon sleeve(2m)	1
6	End cap	1	6	End cap	1
7	Screw	34	7	Screw	18
8	Bracket	38	8	Bracket	14
9	PSU	1	9	PSU	1

12NC	COLOR	COUNTRY
929002289002	WHITE	EU
929002289102	WHITE	EU
929002289003	WHITE	CH
929002289103	WHITE	CH
929002289004	WHITE	UK
929002289104	WHITE	UK

#	Disassemble/dismantle steps	Tools needed
a	Detach the the psu from hte lithg strip via unlock the waterproof screw.	/
b	Remove the light strip from the bracker assy(if applicable).	/
c	Cut open silicone sleeve and take out the L2-FPC.	KNIFE

STATUS	DESCRIPTION	DESIGN ID
	Hue Outdoor Light Strip V1 5M Hue Outdoor Light Strip V1 2M	DOC 12NC
NAME: Dv Do	LOCAL PART ID: SH.511	A2
CHECKED	DATE: 2022-07-21	

All rights are reserved. Reproduction in whole or in part is prohibited without the written consent of the copyright owner.