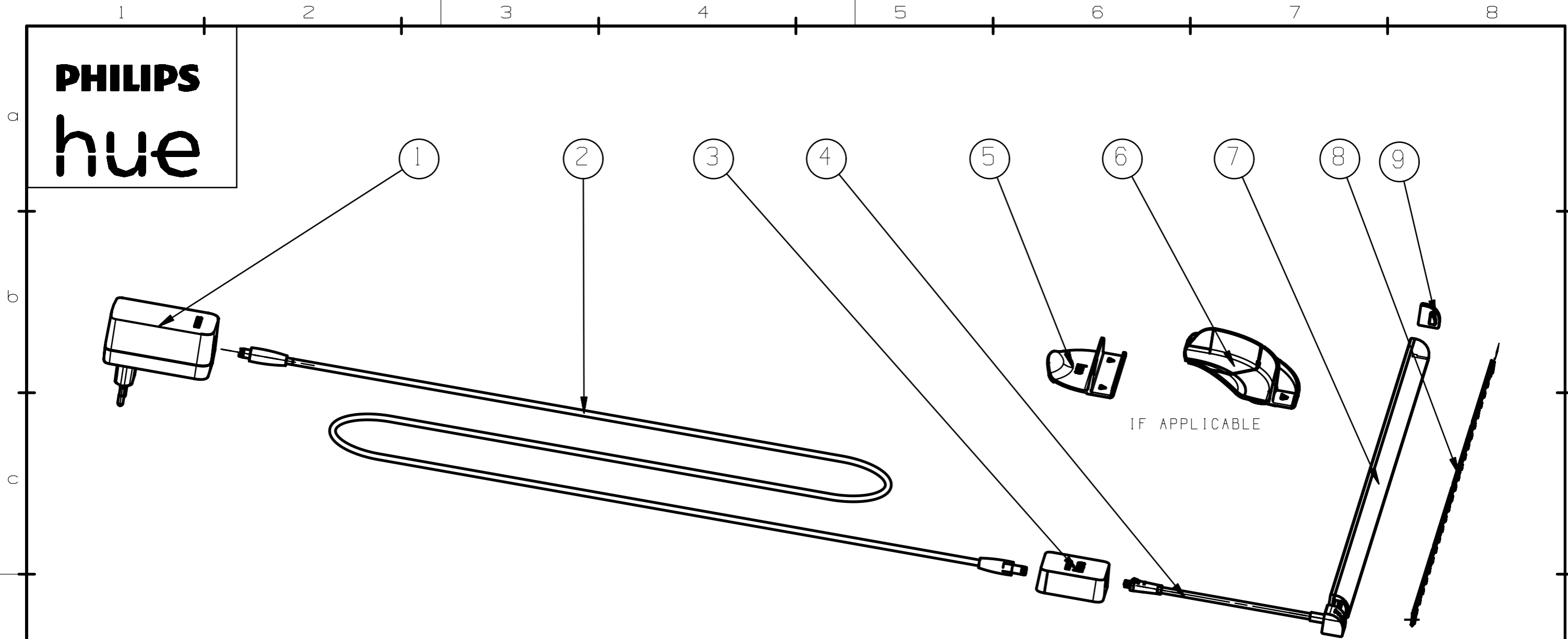


PHILIPS hue

PHILIPS



Component NO	PART NAME	QTY
1	PSU	1
2	BLACK DC-CABLE	1
3	RF-BOX	1
4	4 CORE CABLE	1
5	STRIGHT BRACKET	3
6	CORNER BRACKET	2
7	SILICONE SLEEVE	1
8	L2-FPC	1
9	END CAP	1

NOTE:
FOR LITHR SOURCE-LED STRIP REMOVAL PLEASE REFER TO DOCUMENT
442295215544_L2 REMOVAL INSTRUCTION FLES LED STRIP

12NC	COLOR	COUNTRY
929002422701	BLACK	EU
929002422801	BLACK	EU
929002422901	BLACK	EU

#	Disassemble/dismantle steps	Tools needed
a	Detach the DC cable from the psu.	/
b	Detach the DC cable from RF box.	/
c	Detach the light strip assy from the RF box.	/
d	Cut open silicone sleeve from the bottom side and take out of the L2-FPC.	SCISSOR

STATUS	DESCRIPTION	DESIGN ID
	Hue pixelated lightstrip 55" Hue pixelated lightstrip 65" Hue pixelated lightstrip 75"	
NAME: Dv Do	LOCAL PART ID SH.	SH.511
CHECKED	DATE: 2022-07-21	

All rights are reserved. Reproduction in whole or in part is prohibited without the written consent of the copyright owner.