

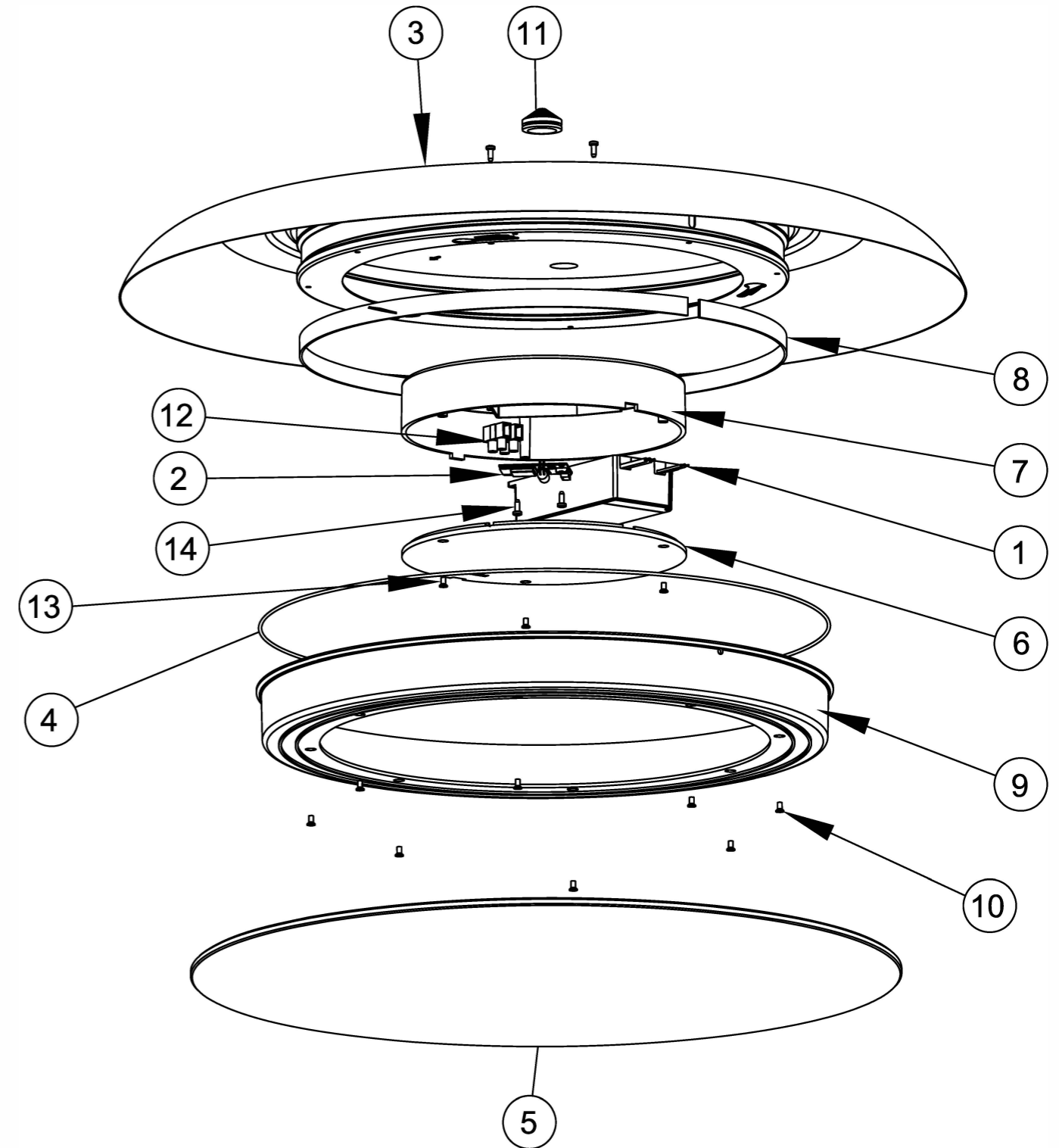
Warnings

Always make sure the luminaire is detached from the mains socket
 Always make sure the DC cable is detached from the power supply
 Staring at the operating light source may cause eye injury

#	Disassemble/dismantle steps	Tools needed
a	Remove Mirror [5] from Lamp body [3]	
b	Unscrew 8pcs Screws [10] and remove Diffuser [9] from Lamp body [3]	screwdriver
c	Unscrew 3pcs Screws [13] and remove Junction box cover [6] from Junction box [7]	screwdriver
d	Unscrew 2pcs Screws [14] and remove Hue Connect [2] from Junction box [7]	screwdriver
e	Remove Driver [1] from Junction box [7]	
f	Remove LED strip [8] from Lamp body [3]	

#	COMPONENT	QTY
1	Driver	1
2	Hue Connect	1
3	Lamp body	1
4	Silicone ring	1
5	Mirror	1
6	Junction box cover	1
7	Junction box	1
8	LED strip	1
9	Diffuser	1
10	Screw	8
11	Water proof plug	1
12	Terminal block	1
13	Screw	3
14	Screw	2

* FOR LIGHT SOURCE-LED STRIP REMOVAL PLEASE SEE DOCUMENT
 442295215544_L2 Removal and Test Instruction Flex LED Strip



STATUS	DESCRIPTION 929003056801 Adore Hue wall lamp white 1x27W 24V	DESIGN ID	2021-09-02
		DOC 12NC	
NAME Li Ba	LOCAL PART ID		A3-L
CHECKED	DATE 2021-09-02		