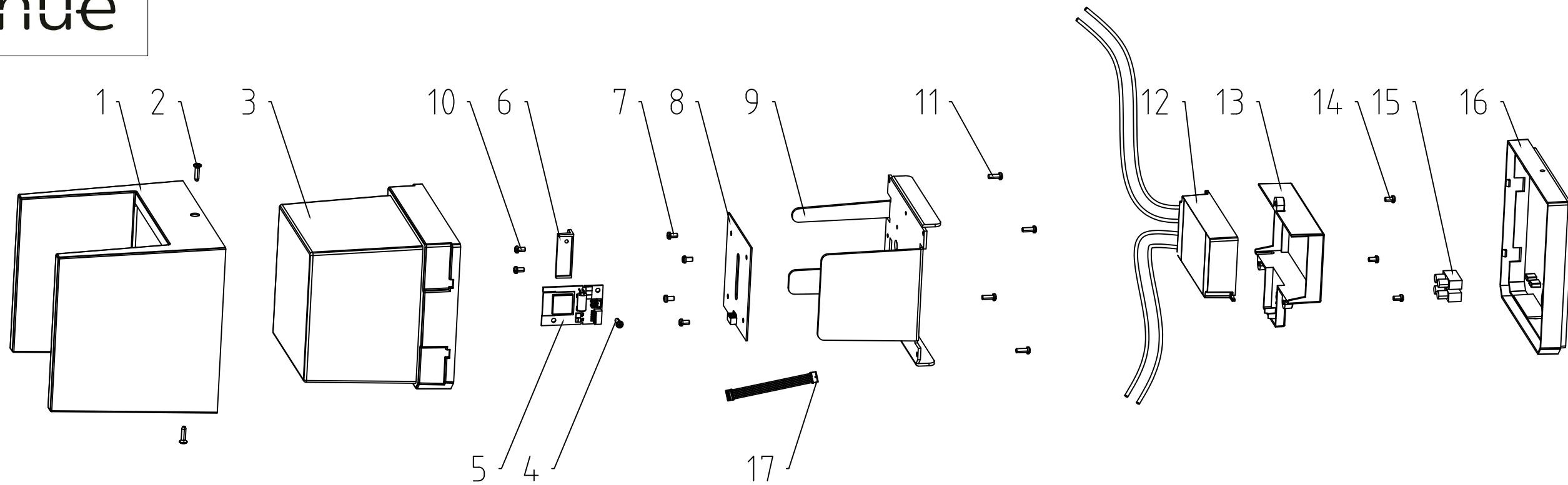


PHILIPS
hue



#	COMPONENT	QTY
1	COVER	1
2	SCREW	2
3	DIFFUSER	1
4	SCREW	1
5	LIGHT SOURCE - HUE CONNECT	1
6	BRACKET	1
7	SCREW	4
8	LIGHT SOURCE - LED MODULE	1
9	HEAT SINK	1
10	SCREW	2
11	SCREW	2
12	CONTROL GEAR - PSU	1
13	PSU COVER	1
14	SCREW	3
15	TERMINAL BLOCK	1
16	BASE	1
17	FLAT CABLE	1

Warnings

Always make sure the luminaire is detached from the mains socket
Always make sure the DC cable is detached from the power supply
Staring at the operating light source may cause eye injury

#	Disassemble/dismantle steps	Tools needed
a	REMOVE COVER (1) BY UNSCREWING THE SCREWS (2)	CROSS HEAD SCREW DRIVER
b	REMOVE BASE (16) FROM THE DIFFUSER (3)	FLAT HEAD SCREW DRIVER
c	REMOVE PSU COVER (13) BY UNSCREWING THE SCREWS (14)	CROSS HEAD SCREW DRIVER
d	REMOVE DIFFUSER (3) BY UNSCREWING THE SCREWS (11)	CROSS HEAD SCREW DRIVER
e	REMOVE FLAT CABLE (17) FROM LIGHT SOURCE - LED MODULE (8) AND LIGHT SOURCE - HUE CONNECT (5)	-
f	REMOVE BRACKET (6) FROM THE HEAT SINK (9) BY UNSCREWING THE SCREWS (10)	CROSS HEAD SCREW DRIVER
g	REMOVE WIRES OF CONTROL GEAR - PSU (12) FROM THE LIGHT SOURCE - HUE CONNECT (5)	FLATHEAD SCREWDRIVER OR WAGO TOOL #2065
h	REMOVE THE CONTROL GEAR - PSU (12)	-
i	REMOVE LIGHT SOURCE - HUE CONNECT (5) BY UNSCREWING THE SCREW (4)	CROSS HEAD SCREW DRIVER
j	REMOVE LIGHT SOURCE - LED MODULE (8) BY UNSCREWING THE SCREWS (7)	CROSS HEAD SCREW DRIVER

SKU	Color	Country
915005733001	BLACK	EU

STATUS	DESCRIPTION	DESIGN ID
2021-04-12	Fuzo Hue White EU wall lantern black 1x	DOC 12NC
NAME JZ	LOCAL PART ID	SH. 1
CHECKED	DATE	SH.
		A3-P