

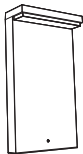
# PHILIPS

Bustan Ultra Efficient  
9290033455  
9290033475



User manual  
Benutzerhandbuch  
Notice d'emploi  
Manual de usuario  
Manual do usuário  
Manuale d'uso  
Gebruiksaanwijzing

Incl.



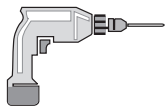
x2



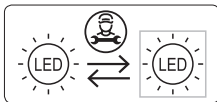
x2

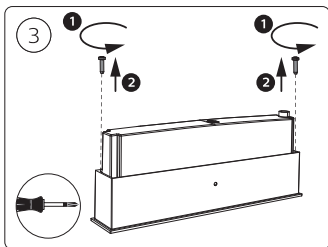
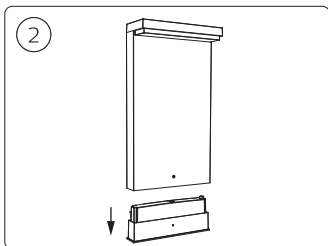
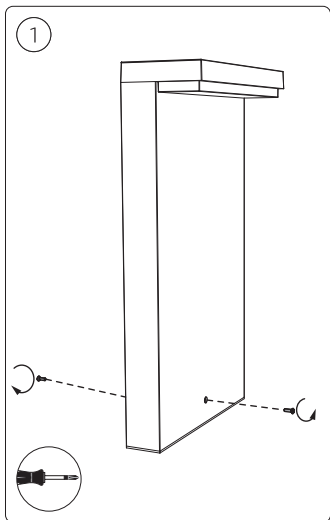
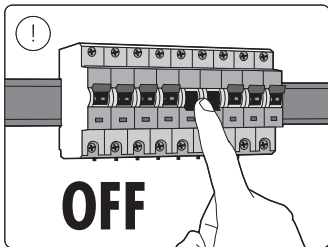
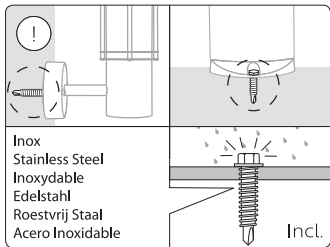
ST4.2\*40mm

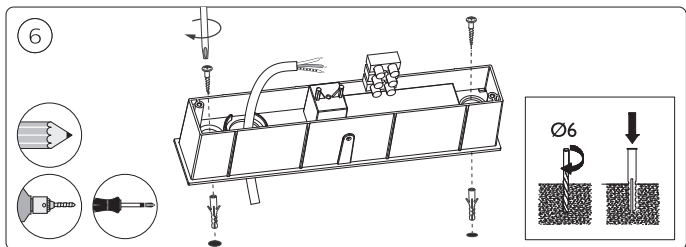
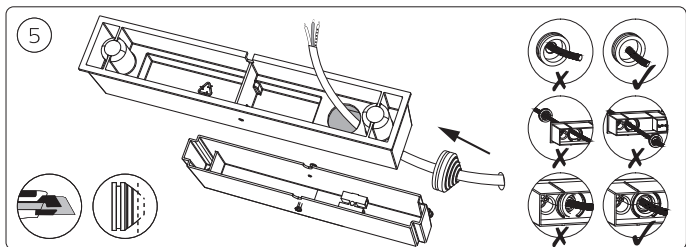
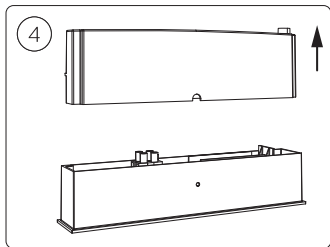
Excl.

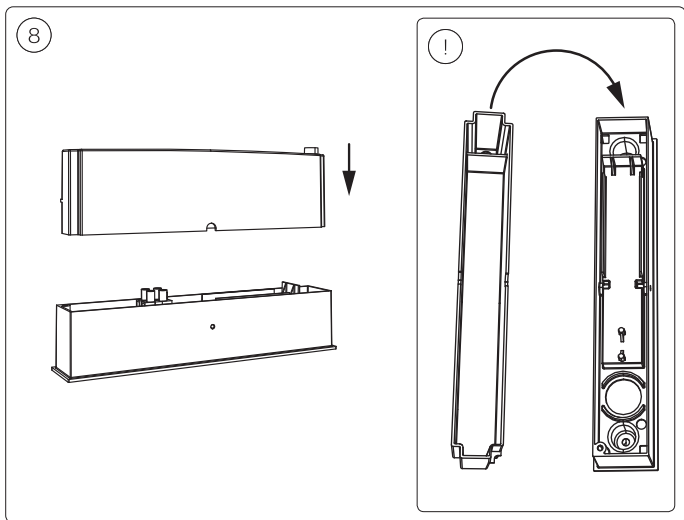
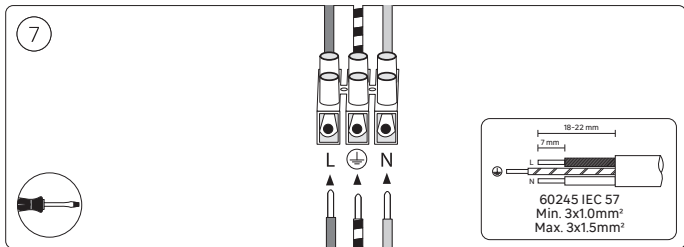


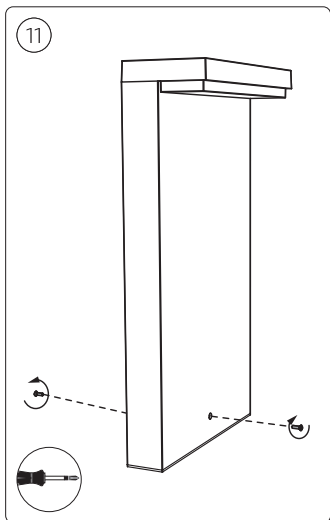
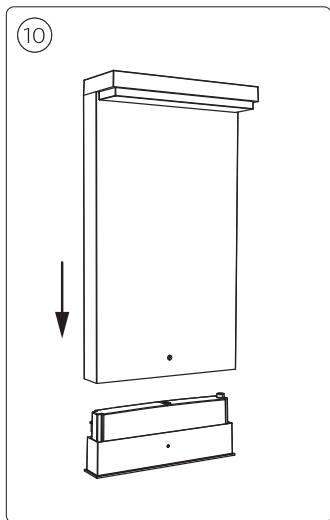
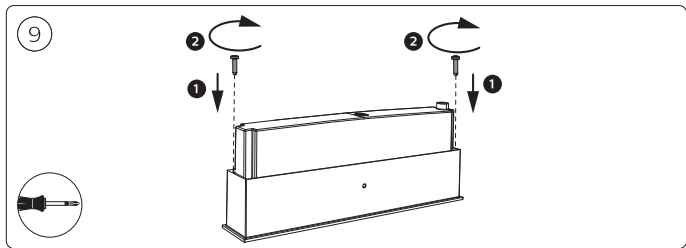
IP44



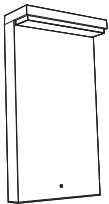




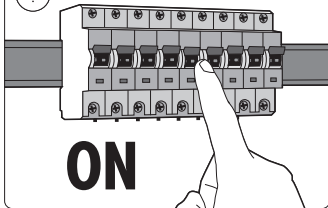




12



!





Signify Commercial UK Limited  
Unit 3, Guildford Business Park,  
Guildford, Surrey, GU2 8XG, UK

Signify  
I.B.R.S. / C.C.R.I. Numéro 10461  
5600 VB Eindhoven,  
the Netherlands  
☎00800-74454775

Philips and the Philips Shield Emblem are registered trademarks  
of Koninklijke Philips N.V. and are used under license

3241 660 88553  
[www.philips.com/lighting](http://www.philips.com/lighting)

© 2024 Signify Holding

 **signify**