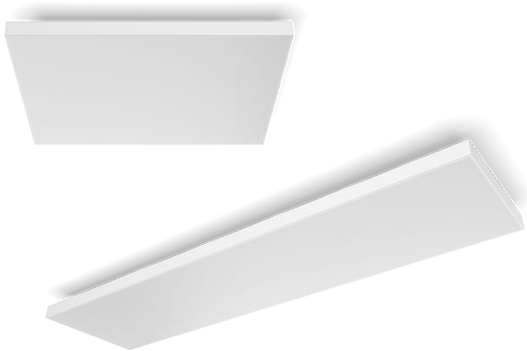


PHILIPS

hue personal
wireless
lighting

Datura

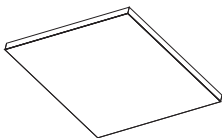


User manual
사용 설명서

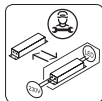
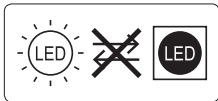
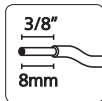
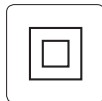
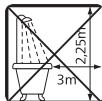
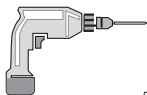
A

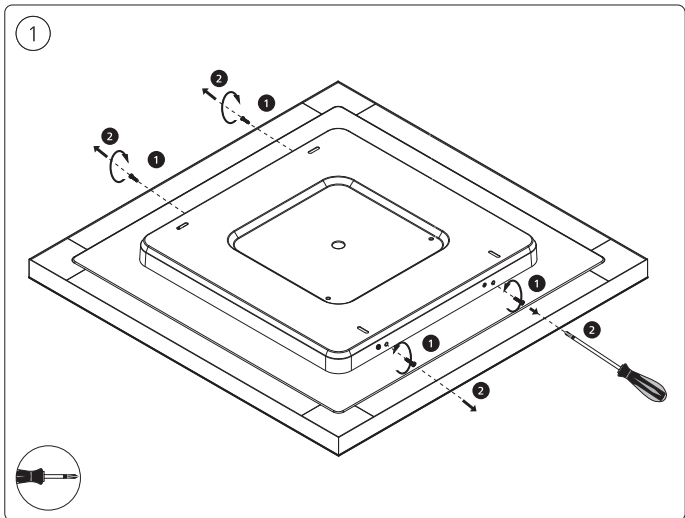
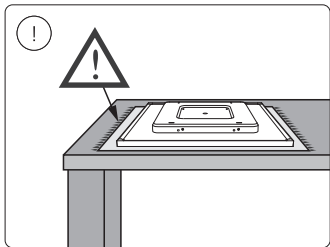
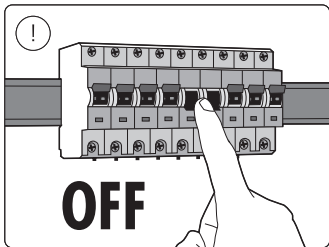


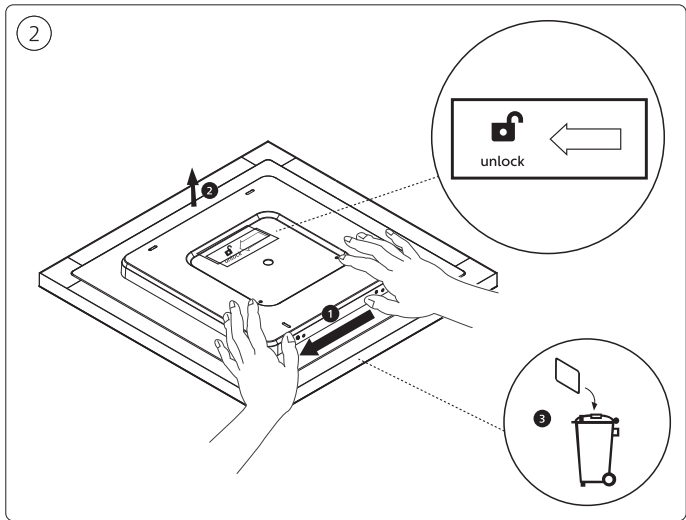
B



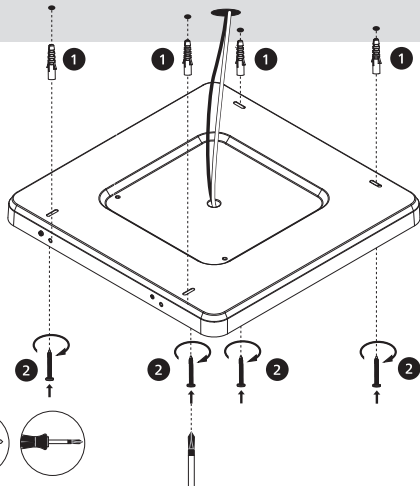
Excl.



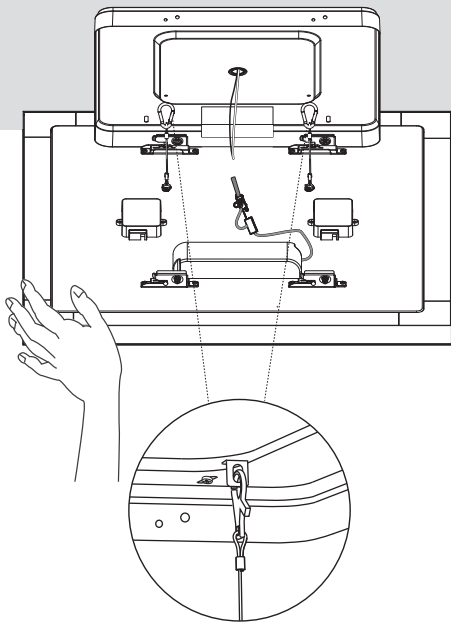




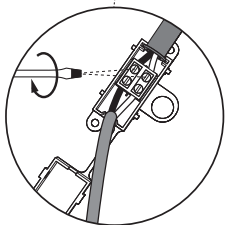
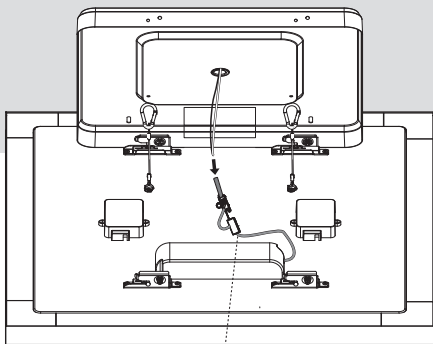
3

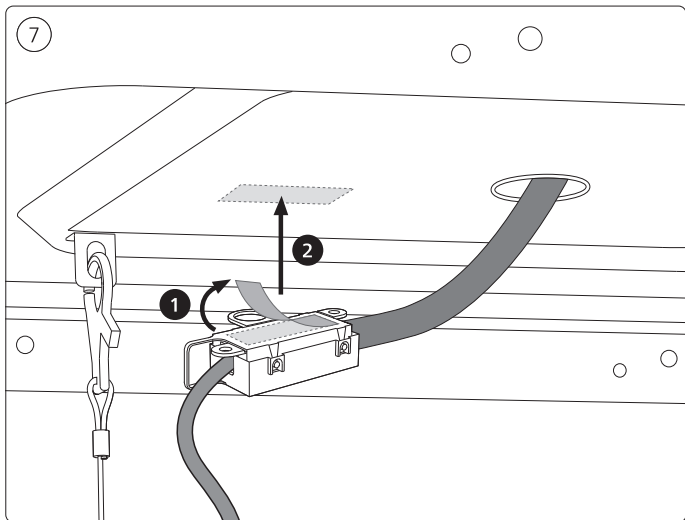
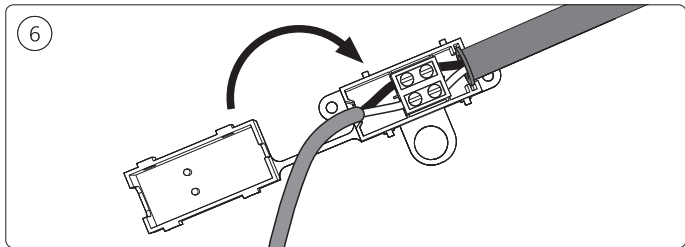


4

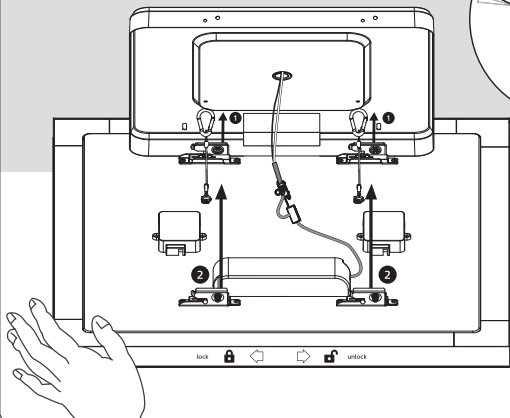


5

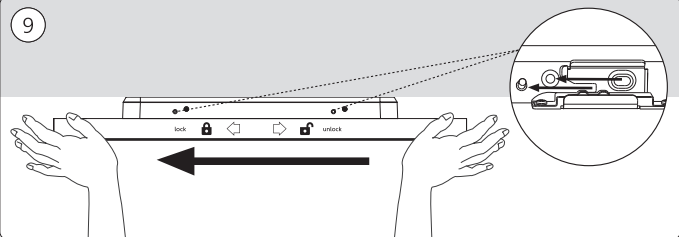




8



9



10

