

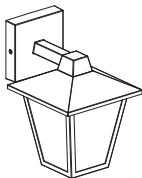
PHILIPS

Kinno
9290041412

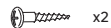


User manual
Benutzerhandbuch
Notice d'emploi
Manual de usuario
Manual do usuário
Manuale d'uso
Gebruiksaanwijzing

Incl.



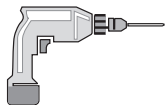
x2



x2

ST4.2*30mm

Excl.

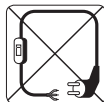
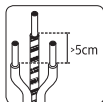


IP44



3/8"

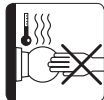
8mm

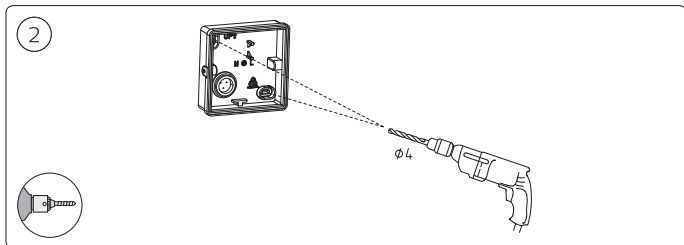
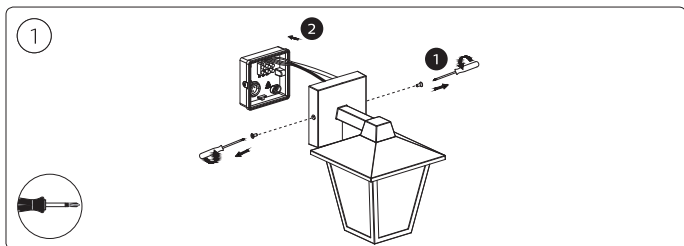
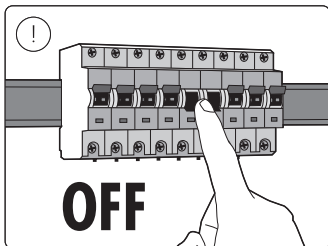
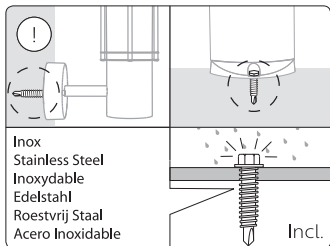


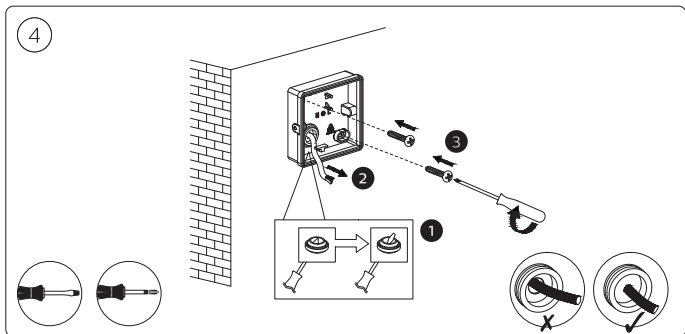
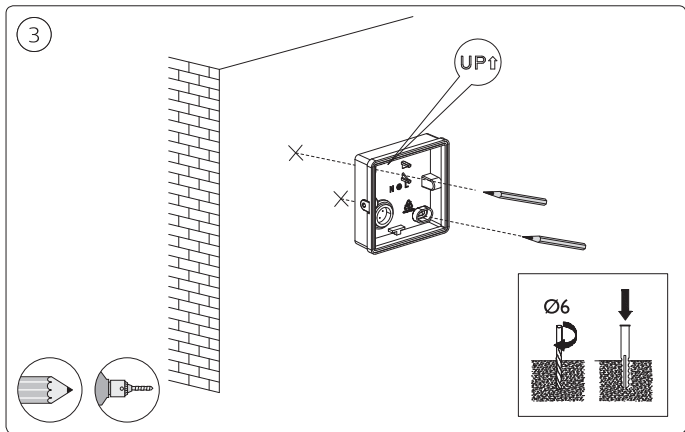
E27



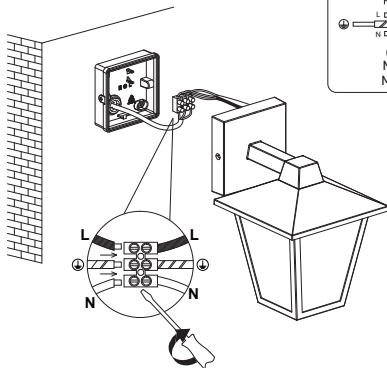
MAX. 25W



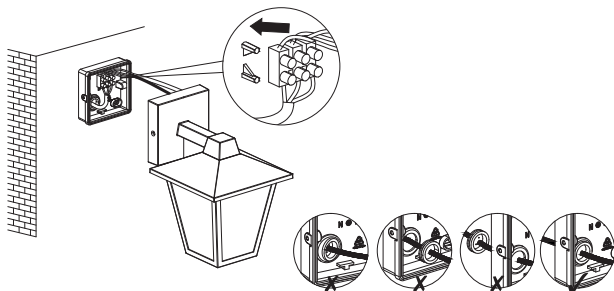


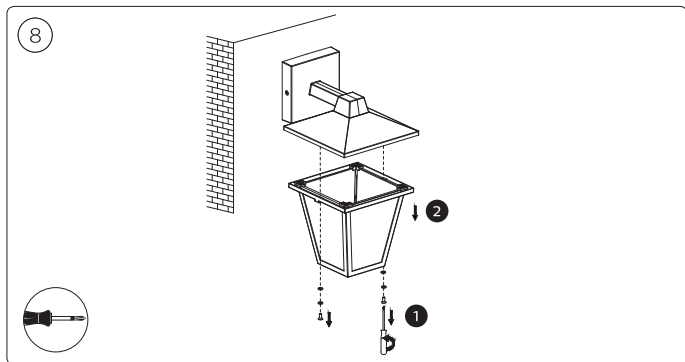
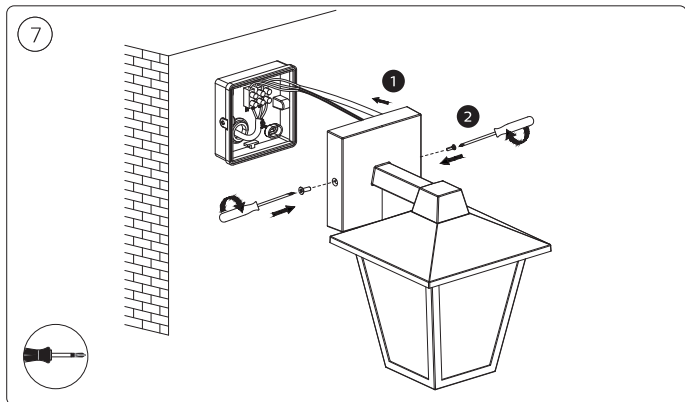


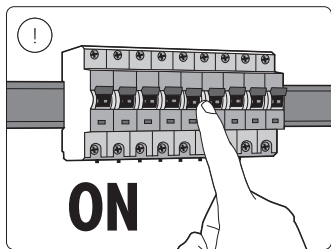
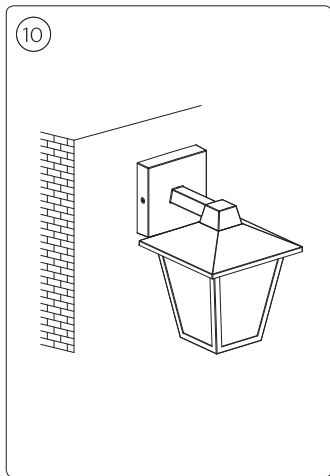
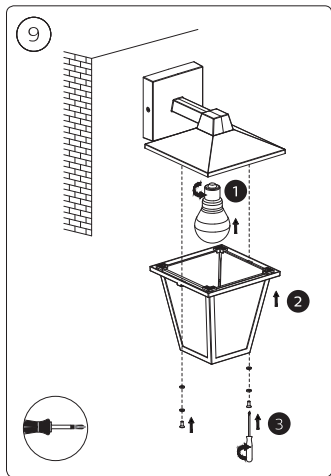
5



6









Signify Commercial UK Limited
Unit 3, Guildford Business Park,
Guildford, Surrey, GU2 8XG, UK

Signify
I.B.R.S. / C.C.R.I. Numéro 10461
5600 VB Eindhoven,
the Netherlands
00800-74454775

Philips and the Philips Shield Emblem are registered trademarks
of Koninklijke Philips N.V. and are used under license

3241 662 13371
www.philips.com/lighting

© 2024 Signify Holding

 **signify**