

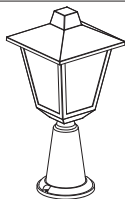
PHILIPS

Kinno
9290041415



User manual
Benutzerhandbuch
Notice d'emploi
Manual de usuario
Manual do usuário
Manuale d'uso
Gebruiksaanwijzing

Incl.



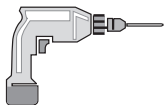
x2



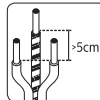
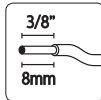
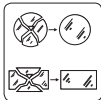
x2

ST4.2*30mm

Excl.



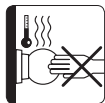
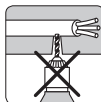
IP44

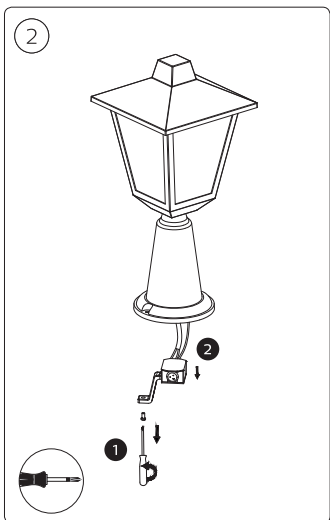
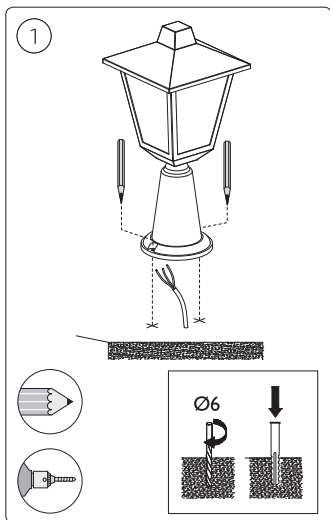
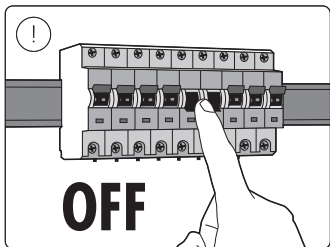
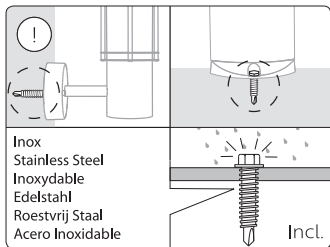


E27

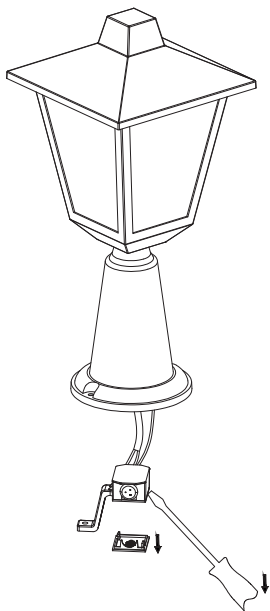


MAX. 25W

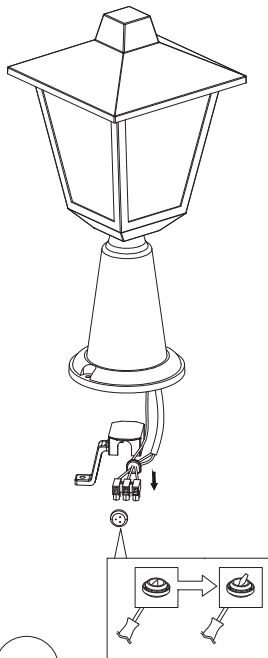




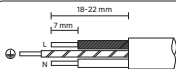
3



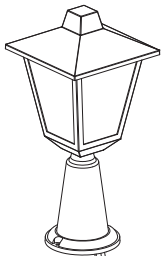
4



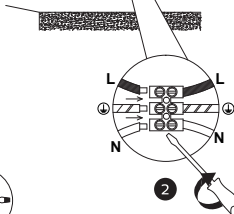
5



60245 IEC 57
Min. 3x1.0mm²
Max. 3x1.5mm²

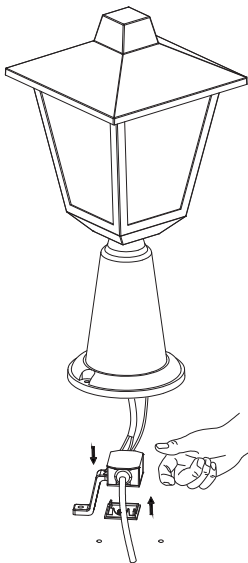


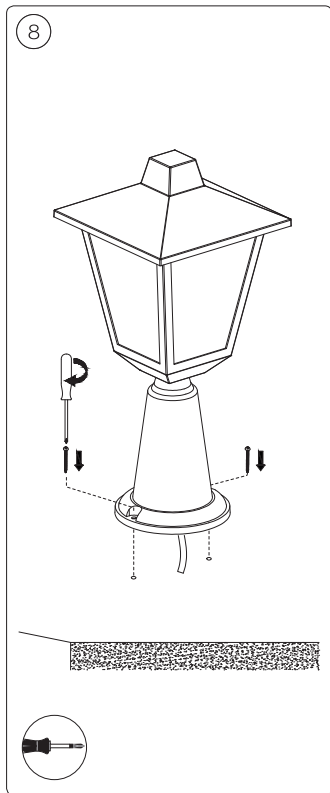
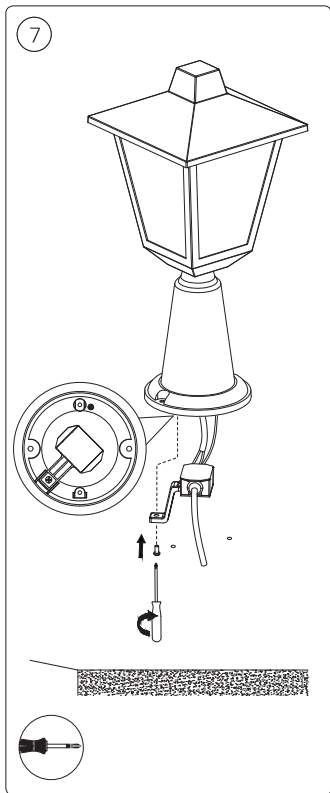
1

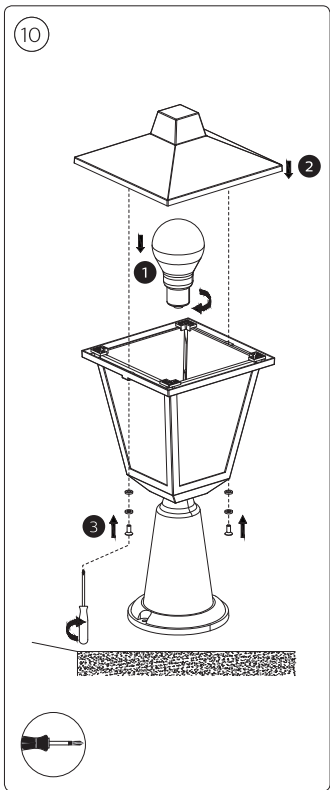
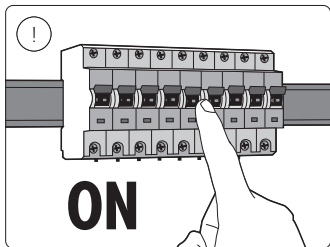
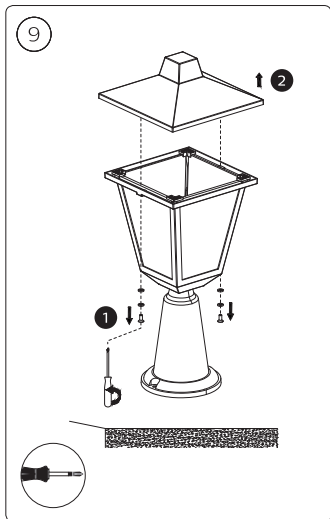


2

6









Signify Commercial UK Limited
Unit 3, Guildford Business Park,
Guildford, Surrey, GU2 8XG, UK

Signify
I.B.R.S. / C.C.R.I. Numéro 10461
5600 VB Eindhoven,
the Netherlands
00800-74454775

Philips and the Philips Shield Emblem are registered trademarks
of Koninklijke Philips N.V. and are used under license

3241 662 13401
www.philips.com/lighting

© 2024 Signify Holding

 **signify**