

PHILIPS

Juda Ultra Efficient
9290046332
9290046333



User manual
Benutzerhandbuch
Notice d'emploi
Manual de usuario
Manual do usuário
Manuale d'uso
Gebruiksaanwijzing

Incl.

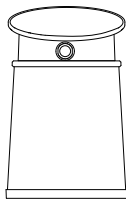
A



 x2

 x2

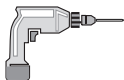
 x1



B



Excl.



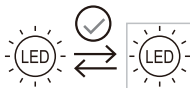
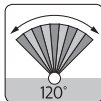
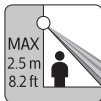
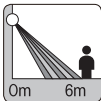
+

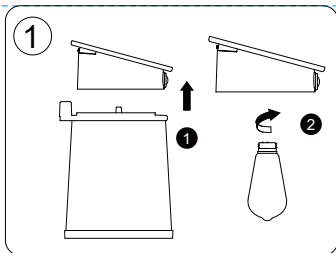
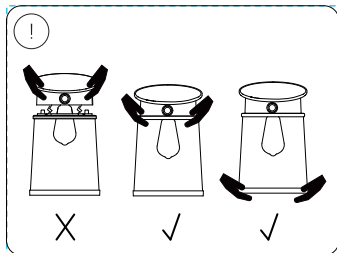


B



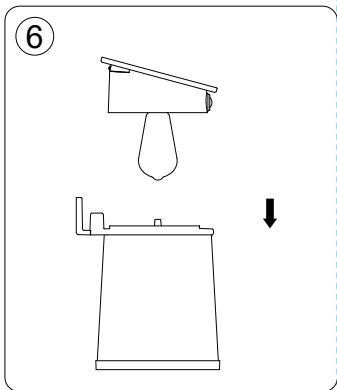
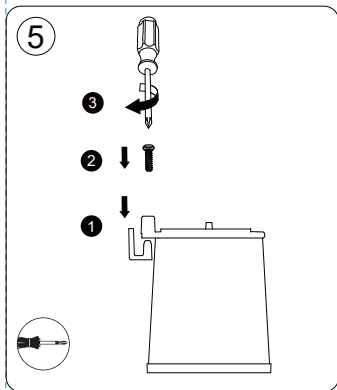
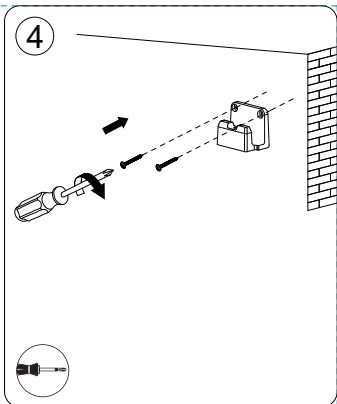
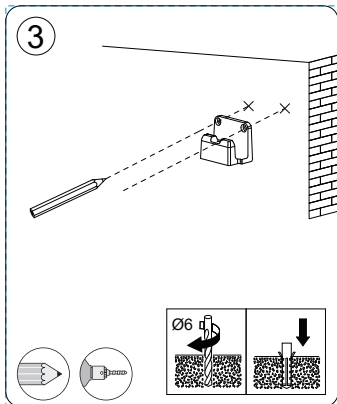
IP44



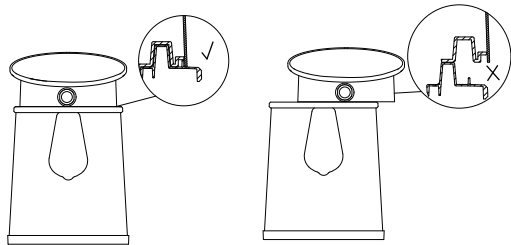
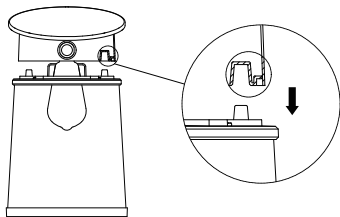


2

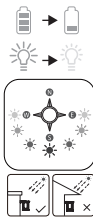
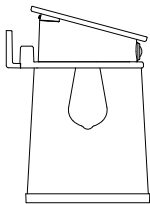
| | | |
|--------------------|---------------|------------|
| <p>OFF AUTO ON</p> | | |
| <p>OFF AUTO ON</p> | <p>OFF</p> | <p>OFF</p> |
| <p>OFF AUTO ON</p> | <p>OFF</p> | <p>ON</p> |
| <p>OFF AUTO ON</p> | <p>0H 10H</p> | <p>ON</p> |
| <p>OFF AUTO ON</p> | <p>10H ☀</p> | <p>ON</p> |
| | <p>OFF</p> | <p>ON</p> |



7



8

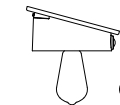


For glass/sensor/solar panel replacement

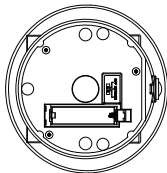
☎ 00800-7445 4775



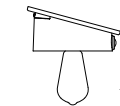
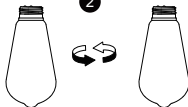
Replace Bulb



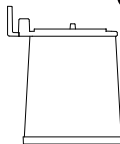
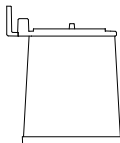
1



2



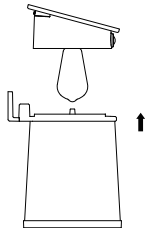
3



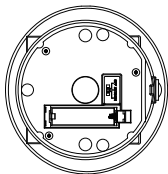
6

Replace Battery

①



②



③

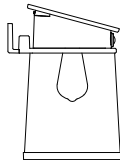
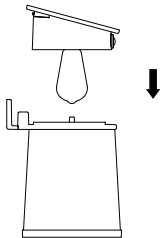


④



18650/3.6-3.7V Li-ion/MIN2600mAh

③





Signify Commercial UK Limited
Unit 3, Guildford Business Park,
Guildford, Surrey, GU2 8XG, UK

Signify
I.B.R.S. / C.C.R.I. Numéro 10461
5600 VB Eindhoven,
the Netherlands
000800-74454775

Philips and the Philips Shield Emblem are registered trademarks
of Koninklijke Philips N.V. and are used under license

3241 662 15111
www.philips.com/lighting

© 2024 Signify Holding

©signify