

PHILIPS

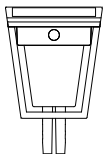
Nissa Ultra Efficient
9290046320



User manual
Benutzerhandbuch
Notice d'emploi
Manual de usuario
Manual do usuário
Manuale d'uso
Gebruiksaanwijzing

Incl.

A



x3

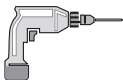


x3

B



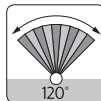
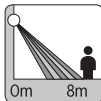
Excl.

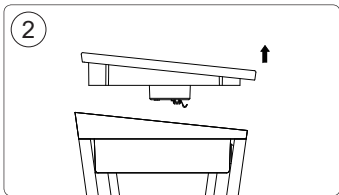
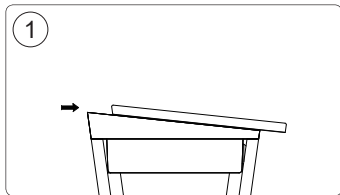


B



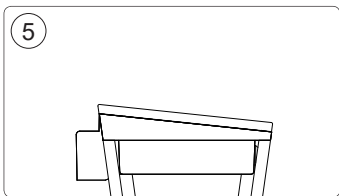
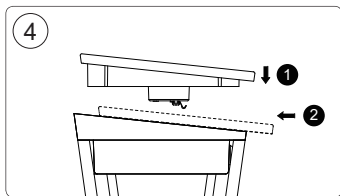
IP44

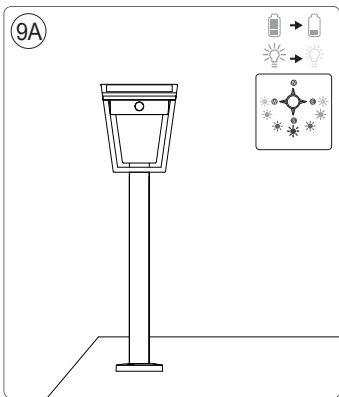
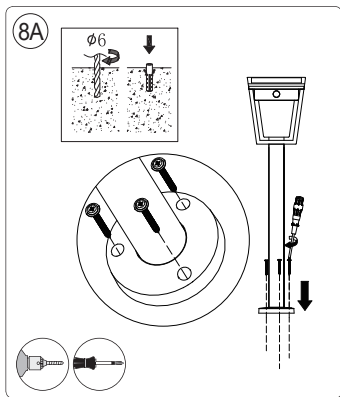
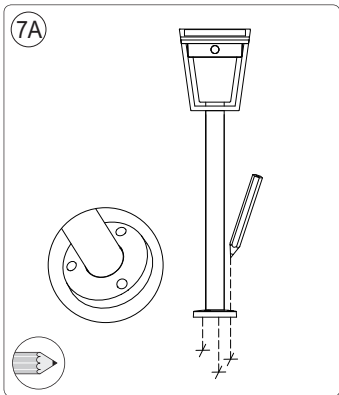
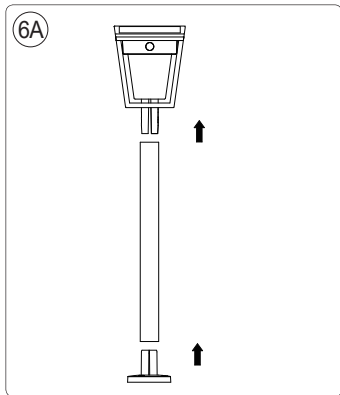


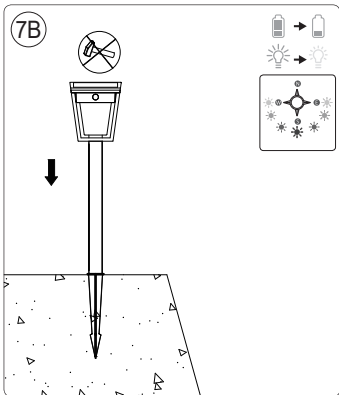
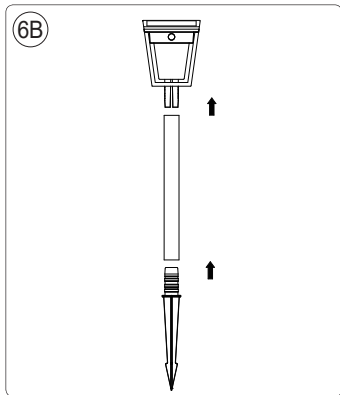


3

OFF AUTO ON 		
	OFF	OFF
OFF AUTO ON 		
	OFF	ON
OFF AUTO ON 		
	ON	ON
	OFF	ON

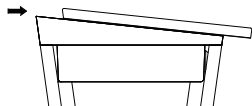




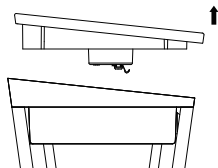


Replace Battery

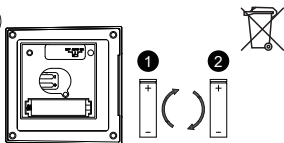
1



2

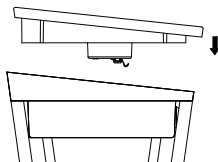


3

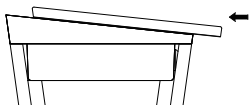


18650/3.6-3.7V Li-ion/MIN2600mAh

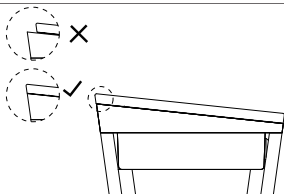
4



5



6





Signify Commercial UK Limited
Unit 3, Guildford Business Park,
Guildford, Surrey, GU2 8XG, UK

Signify
I.B.R.S. / C.C.R.I. Numéro 10461
5600 VB Eindhoven,
the Netherlands
☎00800-74454775

Philips and the Philips Shield Emblem are registered trademarks
of Koninklijke Philips N.V. and are used under license

3241 662 11381
www.philips.com/lighting

© 2024 Signify Holding

The Signify logo, consisting of a stylized 's' inside a circle followed by the word "ignify".