

# PHILIPS



Zyren Ultra Efficient

9290047035

9290047036

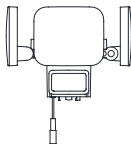
9290047037

9290047038

User manual  
Benutzerhandbuch  
Notice d'emploi  
Manual de usuario  
Manual do usuário  
Manuale d'uso  
Gebruiksaanwijzing

Incl.

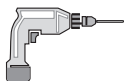
**A**



**B**



Excl.



**B**



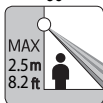
09



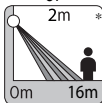
13



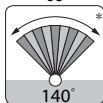
36

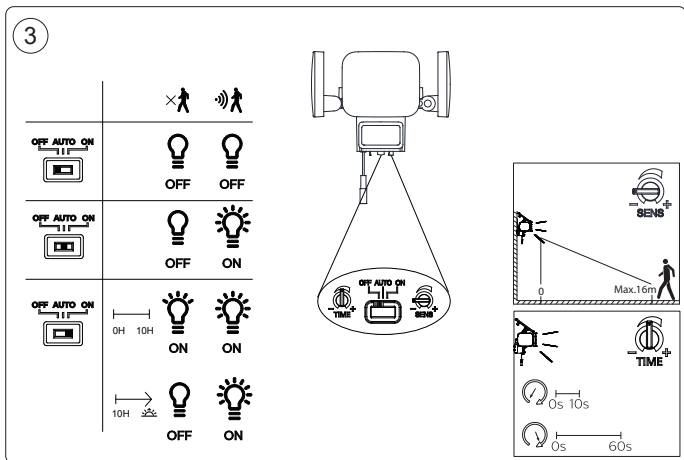
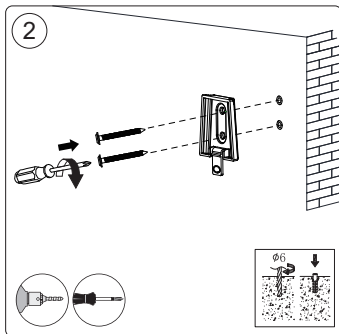
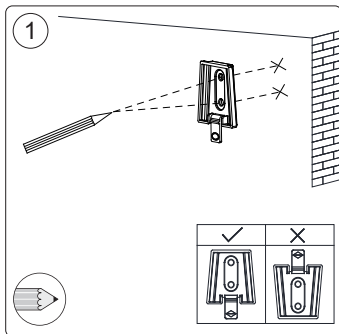


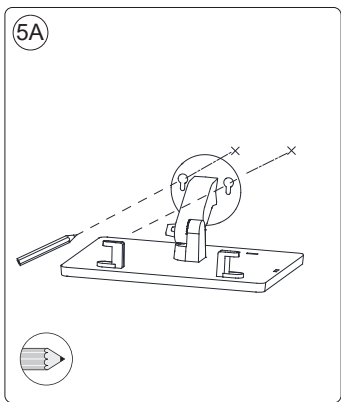
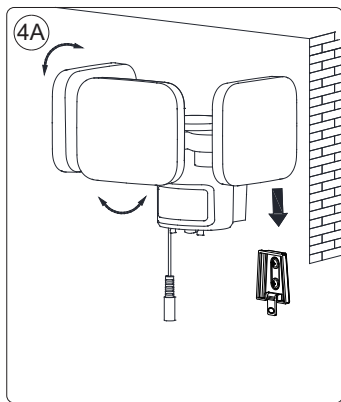
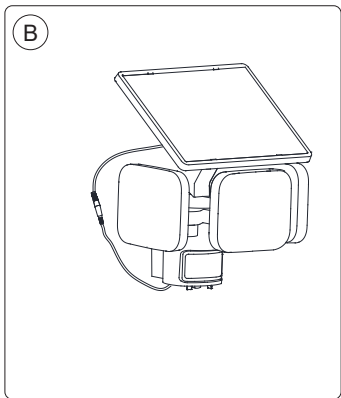
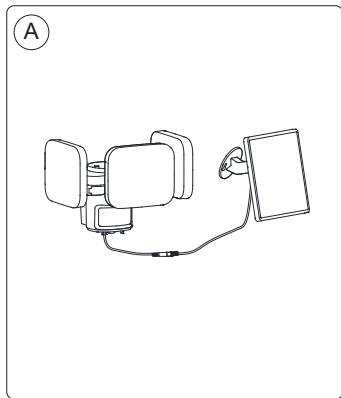
37



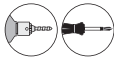
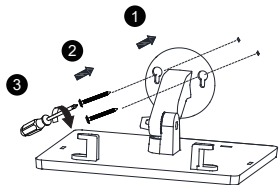
38



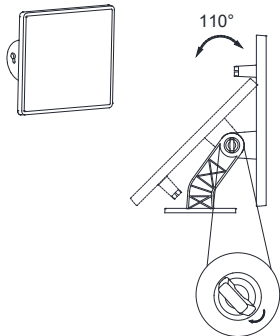




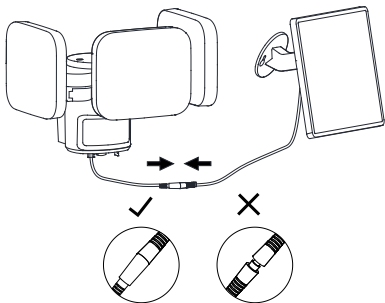
6A

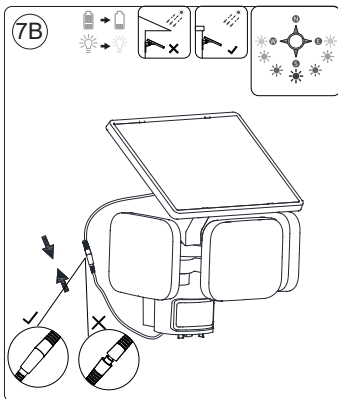
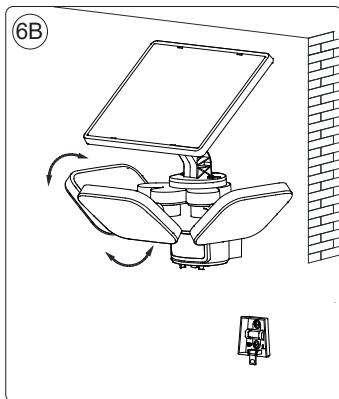
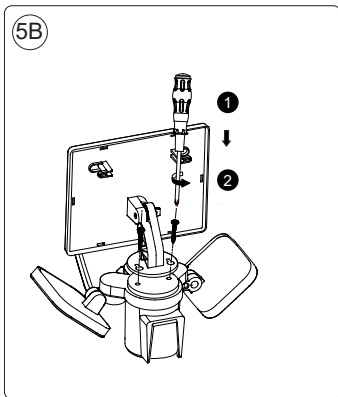
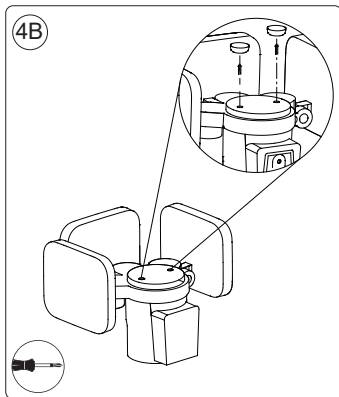


7A



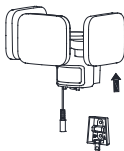
8A



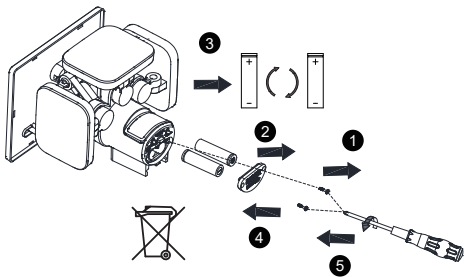


## Replace Battery

1

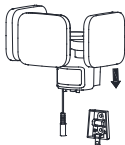


2



18650/3.65-3.7V Li-ion/MIN2600mAh x2

3





Signify Commercial UK Limited  
2 Guildford Business Park,  
GU2 8XG

Signify  
I.B.R.S. / C.C.R.I. Numéro 10461  
5600 VB Eindhoven,  
the Netherlands  
☎00800-74454775

© 2025 Signify Holding

ignify

Philips and the Philips Shield Emblem  
are registered trademarks of Koninklijke  
Philips N.V. and are used under license

[www.philips.com/lighting](http://www.philips.com/lighting)

3241 663 02091