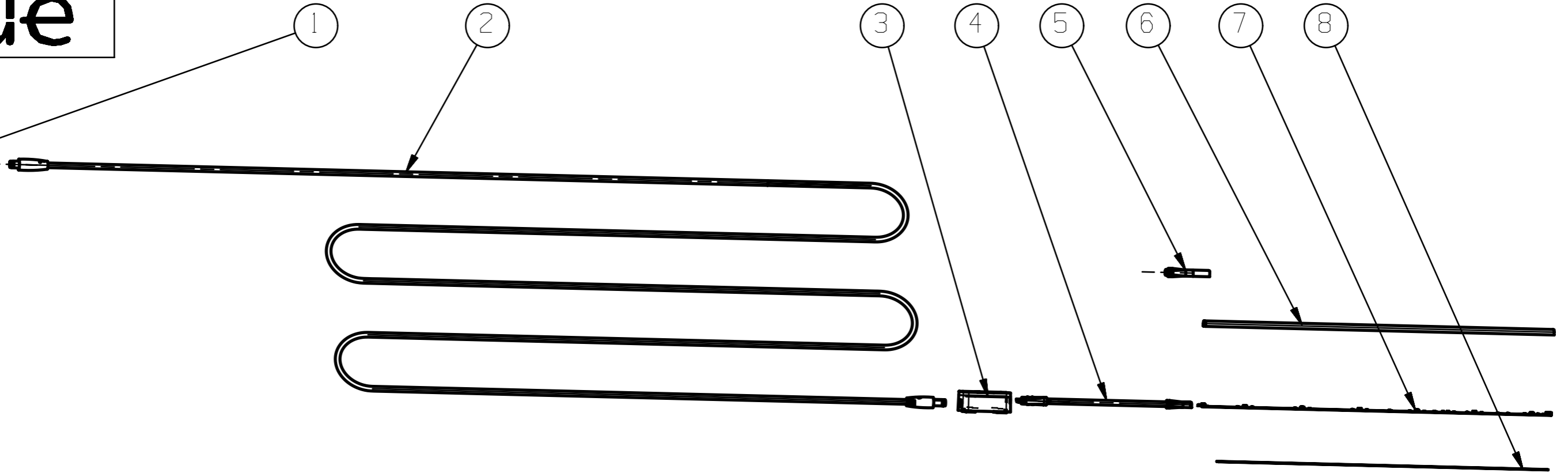
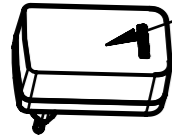


PHILIPS hue



Component NO	PART NAME	QTY
1	PSU	1
2	DC-CABLE	1
3	6 CORE CABLE	1
4	RF-BOX	1
5	HEAT SHRINK TUBE	1
6	SILICONE SLEEVE	1
7	L2-FPC	1
8	3M TAPE	1

NOTE;
FOR LIGHT SOURCE-LED STRIP REMOVAL PLEASE REFER TO DOCUMENT
442295215544_L2 REMOVAL INSUTRUCTION FLEX LED STRIP

#	Disassemble/dismantle steps	Tools needed
a	Detach the DC cable from the psu.	/
b	Detach the DC cable from RF box.	/
c	Detach the light strip assy from the RF box.	/
d	Cut open the heat shrinkable tube and remove from the 6 core cable.	KNIFE
e	Cut open silicone sleeve and take out of the L2-FPC.	SCISSOR
f	Remove the 3M tape from bottom side of the sillicone sleeve.	/

12NC	COLOR	COUNTRY
929002269101	WHITE	EMEA
929002269201	WHITE	EMEA

STATUS	DESCRIPTION	DESIGN ID
	Hue indoor light strip v4 2m Hue indoor light strip v4 1m	
NAME: Dv Do	LOCAL PART ID SH.	SH.511
CHECKED	DATE: 2022-07-21	

All rights are reserved. Reproduction in whole or in part is prohibited without the written consent of the copyright owner.