

DESCRIPTION

Recessed 1.75" directional lens pinhole luminaire utilizing a LED array. Housing is suitable for 2x8 residential or commercial constructions, airtight, can be used in direct contact with insulation and is wet location listed. Housing platform + primary reflector + optical element combination supports various distributions and reflector types providing design flexibility. Use where excellent light control and low aperture brightness are demanded.

SPECIFICATION FEATURES

Frame

Galvanized steel plaster frame with integral bar hanger receivers. Setscrews provide positive horizontal locking. Integral gun sights facilitate the use of guide strings or laser lines. Shipped with overspray protector installed.

Housing

Steel housing painted matte black for visually dark interior. Removable access panels allow splice inspection and service of all electrical components including LED module and driver from below the ceiling thru the aperture. Removable hinged top allow top access. All fasteners are captive.

Bar Hangers

Captive preinstalled bar hangers adjust from 8-1/2" to 24" wide; pass thru feature allows shortening without removal. Captive nail penetrates standard and engineered lumber. Mounting flange levels platform with ceiling. Integral clip attached directly to tee-bar.

Universal Mounting Bracket

Accepts 1/2" EMT, C channel and bar hangers and adjusts 3" vertically from above the ceiling.

Gaskets

Closed cell gaskets achieve restrictive airflow requirements without additional caulking.

Adjustment Mechanism

Dynamic aiming rotates 365°, tilts 45° and locks in position. Angle

markings assist in repeatable settings. Translating center beam optics aligns axis of primary reflector with aperture from nadir to 45°.

LED Module

Field replaceable module utilizes Cree® MT-G2 LED array and conforms to Zhaga standards for interchangeability. Proximity phosphors over chip on board LEDs provide a uniform source with high efficiency and no pixilation. Color accuracy within 2 SDCM and optional 90 CRI provides excellent color. Passive cooling achieves L70 at 40,000 hours.

Primary Optic

Borosilicate glass segmented optic with > 95% reflective multi-layer hard coating delivers a highly efficient and uniform beam. Various distributions are available and can be interchanged without tools. Elastomeric glare shield accepts theatrical color filters and diffusion films.

Media

Optional media holder accepts one or two 2 inch [50mm] diameter L series color filters or beam modifying lens. Order media holder, color filters and lens separately.

Splay

Die cast aluminum splay with 1.75" pinhole aperture and integral clear glass lens. Trim Retention Retained with two torsion springs holding the flange tightly to the finished ceiling surface and accommodates ceiling thickness from 1/2" - 1" thick. Use optional plaster lip

Catalog #		Type
Project		
Comments		Date
Prepared By		

extender for ceilings up to 2" thick.

Junction Box

(6) 1/2" and (2) 3/4" trade size pry outs positioned to allow straight conduit runs.

Driver

Integral constant current driver provides noise free operation. Continuous, flicker-free 1% dimming, available with 2 or 3 wire phase cut, and EcoSystem/DALI digital control interfaces. The DALI option is Fifth Light compatible.

Emergency Option

Provides 90 minutes of standby lighting meeting most life safety codes for egress lighting. Remote charge indicator and test switch. The maximum battery pack ambient is 50°C.

Compliance

Type IC inherently protected, suitable for direct contact with insulation and cULus listed for wet locations. Restrictive airflow per ASTM-E283. EMI/RFI emissions per FCC 47CFR Part 18 consumer limits. Contains no mercury or lead and RoHS compliant. Photometric testing in accordance with IES LM-79-08. Lumen maintenance projections in accordance with IES LM-80-08 and TM-21-11. Zhaga compliant. Meets EMI/RFI emission per FCC 47CFR Part 18 consumer limits at 120V input. Lighting Facts Labeled.

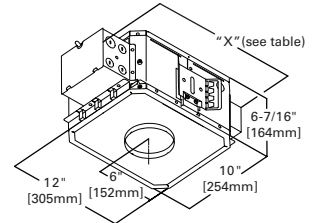
Warranty

5 year warranty.



P3LED09 E3AASRPIN

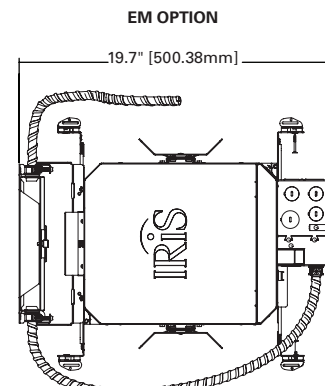
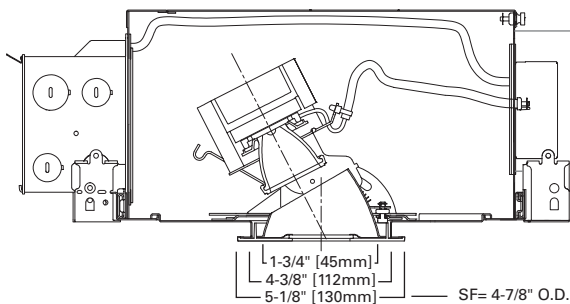
**LED Directional Lens Pinhole
1.75" Aperture
900 Lumen Series**



Catalog #	X-Dimension
P3LED09*E	16.4" (416mm)
P3LED09*E010	16.25" (413mm)
P3LED09*E5LT	16.25" (413mm)
P3LED09*EDMX	16.25" (413mm)
P3LED09*1ELTE	16.9" (429mm)
P3LED09*EL3D	16.9" (429mm)

E Driver Option	
Input Voltage	120V 277V
Input Current (A)	0.12 0.06
Input Power (W)	14.3 15
Inrush Current (A)	0.17 0.43
THD: ≤ 20%	
PF: ≥ 0.90	
T Ambient: -20 to +40°C	
T Plenum: +65°C Max.	
Sound Rating: Class A	

E010 Driver Option	
Input Voltage	120V 277V
Input Current (A)	0.13 0.06
Input Power (W)	14.3 15
Inrush Current (A)	0.6 1
THD: ≤ 20%	
PF: ≥ 0.90	
T Ambient: -20 to +40°C	
T Plenum: +65°C Max.	
Sound Rating: Class A	



ORDERING INFORMATION

P3LED E3AASRPIN

Complete luminaire consists of a housing platform and optical element. Housing platform can be ordered without primary optic. Order primary optics separately.

Example: P3LED09830E RG50SP15 E3AASRPIN

Platform	Lumens ¹	Distribution	Color	Driver	Options
P3LED					
<p>P3LED = 3.5" Aperture IC, AT LED Housing Platform</p> <p>P3LED = 3.5" Aperture IC, AT LED Housing Platform, CCEA listed for City of Chicago Plenum Requirements</p>	<p>09 = 900 Lumens (Nominal)</p>	<p>[Blank] = Omit Primary Optic</p> <p>NSP10 = 10° Beam</p> <p>SP15 = 15° Beam</p> <p>NFL25 = 25° Beam</p> <p>FL40 = 40° Beam</p>	<p>827 = 80 CRI Minimum, 2,700 K CCT</p> <p>927 = 90 CRI Minimum, 2,700 K CCT</p> <p>830 = 80 CRI Minimum, 3,000 K CCT</p> <p>930 = 90 CRI Minimum, 3,000 K CCT</p> <p>835 = 80 CRI Minimum, 3,500 K CCT</p> <p>840 = 80 CRI Minimum, 4,000 K CCT</p>	<p>E = 120 – 277V 50/60Hz Leading or Trailing Edge Phase Cut 1% Dimming (phase cut dimming at 120V only)</p> <p>E010 = 120 – 277V 50/60Hz 0 -10V 10% Dimming</p> <p>ED010 = 120 – 277V 50/60Hz 0 -10V 1% Dimming</p> <p>E5LT = 120 – 277V 50/60Hz DALI 1% Dimming</p> <p>EDMX = 120 – 277V 50/60Hz DMX 1% Dimming</p> <p>1ELTE = 120V 60Hz Leading Edge 1% Dimming, Lutron A-Series</p> <p>EL3D = 120 – 277V 50/60Hz 3-wire and EcoSystem 1% Dimming, Lutron A-Series</p>	<p>EM = Integral Battery Backup with Remote Test Switch and Indicator Light (Not available with 1ELTE and EL3D driver options)</p>

Optical Element

Flange Style and Finish Options

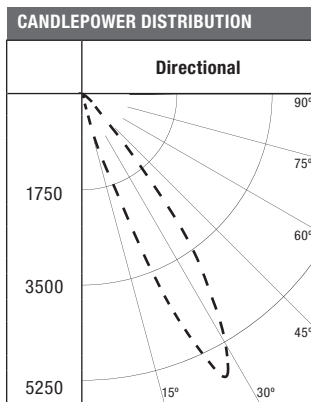
Accessories

E3AASRPIN		
<p>E3AASRPIN = 1.75" Aperture Lens Pinhole Splay</p>	<p>[Blank] = Matte White Die-cast Flange</p> <p>POL = Polished Aluminum Die-cast Flange</p> <p>RAW = Raw Aluminum Die-cast Flange</p> <p>SAL = Satin Aluminum Die-cast Flange</p>	<p>RG50NSP10 = 10° Beam Glass Reflector, 50mm</p> <p>RG50SP15 = 15° Beam Glass Reflector, 50mm</p> <p>RG50NFL25 = 25° Beam Glass Reflector, 50mm</p> <p>RG50FL40 = 40° Beam Glass Reflector, 50mm</p> <p>RG50MH = Media Holder for two inch [50mm] diameter L series color filters or beam modifying lens. Attaches directly to RG50 series 50mm Reflectors</p> <p>FMC3 = Flush Mount Collar Accessory</p> <p>PLE3 = Plaster Lip Extender for Up to 2" Thick Ceilings</p> <p>ZLM03 = Replacement LED module, see specification sheet for catalog number and performance data</p>

ENERGY DATA

1ELTE Driver Option			EL3D Driver Option			E5LT Driver Option			EDMX Driver Option		
Input Voltage	120V	277V	Input Voltage	120V	277V	Input Voltage	120V	277V	Input Voltage	120V	277V
Input Current (A)	0.13		Input Current (A)	0.13	0.06	Input Current (A)	0.12	0.06	Input Current (A)	0.13	0.06
Input Power (W)	15.7		Input Power (W)	15.6	16	Input Power (W)	14.3	15.2	Input Power (W)	15.1	16.1
Inrush Current (A)	1.9		Inrush Current (A)	1.9	2	Inrush Current (A)	1.73	1.8	Inrush Current (A)	1.82	1.89
THD: ≤ 20%			THD	≤20%		THD: ≤ 20%			THD	≤20%	
PF: ≥ 0.90			PF	≥0.90	≥0.80	PF: ≥ 0.90			PF	≥0.90	≥0.60
T Ambient: -20 to +40°C			T Ambient: -20 to +40°C			T Ambient: -20 to +40°C			T Ambient: -20 to +40°C		
T Plenum: +65°C Max.			T Plenum: +65°C Max.			T Plenum: +65°C Max.			T Plenum: +65°C Max.		
Sound Rating: Class A			Sound Rating: Class A			Sound Rating: Class A			Sound Rating: Class A		

PHOTOMETRICS

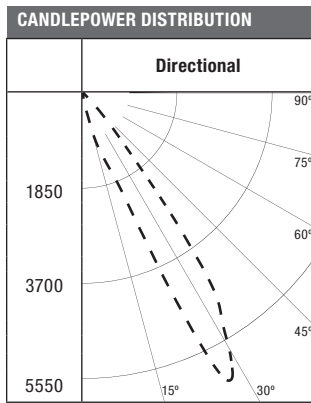


LEGEND:
 0-deg: - - - - -
 90-deg: ————
 180-deg: ————
 270-deg: ————

Test Number	P106026
Platform	P3LED09830E
Element	E3AASRPIN RG50SP15
Lumens	627 Lm
Efficacy	43.6 Lm/W

ZONAL LUMEN SUMMARY		
Zone	Lumens	%Fixture
0-30	318	54.5
0-40	519	89
0-60	565	96.9
0-90	583	100
90-180	0	0
0-180	583	100

SINGLE UNIT FOOTCANDLES							
3' FROM WALL (Distance From Fixture Along Wall)							
DD	●	1'	2'	3'	4'	5'	6'
1'	0	0.5	0	0.1	0.2	0.1	0
2'	1.7	0	0.1	0	0.1	0	0.1
3'	10.9	4.9	0.5	0.2	0	0	0
4'	64.6	12.8	1.7	0	0	0	0
5'	75.2	27	2.2	0.4	0	0	0
6'	58	25.5	3.2	0.6	0.2	0	0
7'	31.9	17	3.5	0.6	0.2	0.1	0
8'	14.8	9.1	3.1	0.5	0.3	0.1	0
9'	6.8	5	2.3	0.5	0.2	0.1	0
10'	3.5	3	1.6	0.4	0.2	0.1	0.1



LEGEND:
 0-deg: - - - - -
 90-deg: - - - - -
 180-deg: - - - - -

Test Number	P106014
Platform	P3LED09830E
Element	E3AASRPIN RG50NSP10
Lumens	533 Lm
Efficacy	36.8 Lm/W

ZONAL LUMEN SUMMARY		
Zone	Lumens	%Fixture
0-30	287	58
0-40	473	95.4
0-60	489	98.6
0-90	496	100
90-180	0	0
0-180	496	100

SINGLE UNIT FOOTCANDLES							
3' FROM WALL (Distance From Fixture Along Wall)							
DD	●	1'	2'	3'	4'	5'	6'
1'	0.1	0	0	0	0	0	0
2'	0	0	0	0	0	0	0
3'	2.6	0.2	0	0	0	0	0
4'	52.3	14.5	0.1	0	0	0	0
5'	79.5	23.8	2	0	0	0	0
6'	61	19.7	4.5	0	0	0	0
7'	22.8	11.4	4.3	0.1	0	0	0
8'	8.6	6.7	3.5	0.8	0	0	0
9'	5	4.3	2.6	0.9	0.2	0	0
10'	3.2	2.9	1.8	0.8	0.3	0	0

LIGHTING FACTS

Light Output (Lumens) 463
 Watts 14.4
 Lumens per Watt (Efficacy) 32

Color Accuracy
 Color Rendering Index (CRI) 90

Light Color
 Correlated Color Temperature (CCT) 3000 (Bright White)

Warm White Bright White Daylight
 2700K 3000K 4500K 6500K

Visit www.lightingfacts.com for the Label Reference Guide.

Registration Number: F4Q2-RUB4Y1 (8/16/2013)
 Model Number: P3LED098P15927E E3AASRPIN [30" W]
 Type: Luminaire - Downlight

Light Output (Lumens) 411
 Watts 14.4
 Lumens per Watt (Efficacy) 28

Color Accuracy
 Color Rendering Index (CRI) 90

Light Color
 Correlated Color Temperature (CCT) 2700 (Warm White)

Warm White Bright White Daylight
 2700K 3000K 4500K 6500K

Visit www.lightingfacts.com for the Label Reference Guide.

Registration Number: F4Q2-375LJ3 (8/16/2013)
 Model Number: P3LED098P15927E E3AASRPIN [30" W]
 Type: Luminaire - Downlight

Light Output (Lumens) 675
 Watts 14.4
 Lumens per Watt (Efficacy) 46

Color Accuracy
 Color Rendering Index (CRI) 80

Light Color
 Correlated Color Temperature (CCT) 4000 (Bright White)

Warm White Bright White Daylight
 2700K 3000K 4500K 6500K

Visit www.lightingfacts.com for the Label Reference Guide.

Registration Number: F4Q2-B76G3W (8/16/2013)
 Model Number: P3LED098P15840E E3AASRPIN [30" W]
 Type: Luminaire - Downlight

Light Output (Lumens) 611
 Watts 14.4
 Lumens per Watt (Efficacy) 42

Color Accuracy
 Color Rendering Index (CRI) 80

Light Color
 Correlated Color Temperature (CCT) 3500 (Bright White)

Warm White Bright White Daylight
 2700K 3000K 4500K 6500K

Visit www.lightingfacts.com for the Label Reference Guide.

Registration Number: F4Q2-CC8FCK (8/9/2013)
 Model Number: P3LED098P15830E E3AASRPIN [30" W]
 Type: Luminaire - Downlight

Light Output (Lumens) 583
 Watts 14.4
 Lumens per Watt (Efficacy) 40

Color Accuracy
 Color Rendering Index (CRI) 80

Light Color
 Correlated Color Temperature (CCT) 3000 (Bright White)

Warm White Bright White Daylight
 2700K 3000K 4500K 6500K

Visit www.lightingfacts.com for the Label Reference Guide.

Registration Number: F4Q2-DAT1MW (8/9/2013)
 Model Number: P3LED098P15830E E3AASRPIN [30" W]
 Type: Luminaire - Downlight

Light Output (Lumens) 550
 Watts 14.4
 Lumens per Watt (Efficacy) 38

Color Accuracy
 Color Rendering Index (CRI) 80

Light Color
 Correlated Color Temperature (CCT) 2700 (Warm White)

Warm White Bright White Daylight
 2700K 3000K 4500K 6500K

Visit www.lightingfacts.com for the Label Reference Guide.

Registration Number: F4Q2-72N3J (8/14/2013)
 Model Number: P3LED098P15927E E3AASRPIN [30" W]
 Type: Luminaire - Downlight

Please see LightingFacts.com for a complete listing of products.