



# CoreLine SlimDownlight

## DN145B LED20S/830\_840 PSU WH

CoreLine SlimDownlight, All-in, 17.5 W, D205 mm, 2000 lm, 2100 lm, 3000 K, 4000 K, Textured, IP20/44, EL-ready

D205 mm, Aluminium die-cast, White, Signal white (RAL9003), Recessed, Power supply unit external (On/Off), All-in, Multi Color Temperature, 2000 lm, 2100 lm, 17.5 W, 120 lm/W, 114 lm/W, 3000 K, 4000 K, (0.43,0.40) SDCM<3; (0.38,0.38) SDCM<3, Beam angle 90°, Symmetrical, Textured, Polycarbonate, IP20 (IP44 front), IK03 | 0.3 J, Safety class II, Push-in connector 6-pole, Emergency lighting ready (through compatible battery kit accessory)

### Product data

General Information		Operating and Electrical	
Number of gear units	Unit	Luminaire light beam spread	90°
Driver included	Yes	Unified Glare Rating (CEN)	28
Service Tag	Yes	All-in Type	All-in, Multi Color Temperature
Mounting	Recessed	Input Voltage	220 to 240 V
Value ladder	Performance	Line Frequency	50 or 60 Hz
Warranty period	5 years	Average CLO power consumption	- W
Light Technical		Inrush current	5.7 A
Luminous Flux	2,000 2,100 lm	Inrush time	0.3 ms
Correlated Colour Temperature (Nom)	3000 4000 K	Power Consumption	17.5 W
Luminous efficacy (rated) (nom.)	120 114 lm/W	Power Factor (Fraction)	0.9
Colour rendering index (CRI)	>80	Connection	Push-in connector 6-pole
Light source colour	830 warm white, 840 neutral white	Cable	-
Optic type	Beam angle 90° Symmetrical	Number of products on MCB (16 A type B)	65

# CoreLine SlimDownlight

Suitable for random switching	No
Protection class IEC	Safety class II
Total harmonic distortion	20 %

## Controls and Dimming

Dimmable	No
Driver/power unit/transformer	Power supply unit external (On/Off)
Control interface	-
Constant light output	No

## Mechanical and Housing

Housing material	Aluminium die-cast
Reflector material	Polycarbonate
Optic material	Polymethyl methacrylate
Optical cover/lens material	Polycarbonate
Fixation material	-
Housing Colour	White
Optical cover/lens finish	Textured
Overall height	25 mm
Overall diameter	218 mm
Ingress protection code	IP20 (IP44 front)
Mech. impact protection code	IK03 [0.3 J]
Mounting	Recessed
Net Weight (Piece)	0.420 kg

## Emergency Operation

Central Emergency	No
Emergency lighting	Emergency lighting ready (through compatible battery kit accessory)

## Approval and Application

Glow-wire test	Temperature 650 °C, duration 30 s
Flammability mark	For mounting on normally flammable surfaces
CE mark	Yes
ENEC mark	ENEC mark
EU RoHS compliant	Yes
Performance ambient temperature Tq	25 °C
Flickering value (PstLM)	1
Stroboscopic effect	0.4
Ambient temperature range	-20 to +40 °C

## Initial Performance (IEC Compliant)

Luminous flux tolerance	-10% / +10%
-------------------------	-------------

Initial chromaticity	(0.43,0.40) SDCM<3; (0.38,0.38) SDCM<3
Power consumption tolerance	+/-10%
Standard Deviation of Colour Matching (McAdam ellipse)	SDCM≤3

## Over Time Performance (IEC Compliant)

Control gear failure rate at median useful life 50,000 h	5 %
Lumen maintenance (EN-IEC 62722-2-1) at median useful life* 50000 h	L80

## Sustainability Data

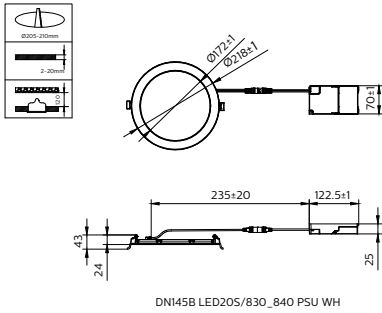
Sustainability rating	Unclassified
Repair class	Repair Class D, this product is not designed to be repaired.
Embedded carbon (A1-A3)	5.31 kg CO <sub>2</sub> e
Product non-virgin material ratio	6.2 %
Recyclable the content ratio of the finished product	55.3 %
GWP total B6 (kg CO <sub>2</sub> eq) Declared Unit	Please calculate using your local energy mix value: Power Declared Unit (kW) * Service life (hrs) Declared Unit * Energy mix (kg CO <sub>2</sub> eq / kWh)
GWP total B6 (kg CO <sub>2</sub> eq) Functional Unit	Please calculate using your local energy mix value: POWER DECLARED UNIT (kW) * 1000 (lm) / LUMEN OUTPUT DECLARED UNIT (lm) * 35000 (hrs) * ENERGY MIX (kg CO <sub>2</sub> eq / kWh)

## Product Data

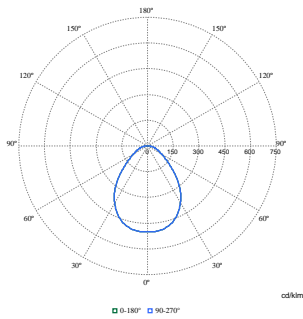
Order product name	DN145B LED20S/830_840 PSU WH
Full product name	DN145B LED20S/830_840 PSU WH
Full EOC	872016950042699
Order code	911401816285
Material no. (12 NC)	911401816285
Numerator – quantity per pack	1
EAN/UPC – Product/Case	8720169500426
Numerator – packs per outer box	20
EAN/UPC - Case	8720169500471

# CoreLine SlimDownlight

## Dimensional drawing



## Photometric data



Polar Normal (separate) - 911401816285

