



CoreLine recessed gen 4

RC136B G4 36_45_60S/840 PSD W60L60 OC

CoreLine recessed gen 4, All-in, 38.5 W, 23 W, 600x600 mm, VPC, 3600 lm, 4500 lm, 6000 lm, 4000 K, DALI, UGR19, EL-ready

600x600 mm, Visible profile ceiling version, Steel, White, Signal white (RAL9003), Power supply unit with DALI interface, All-in, Multi Lumen, 3600 lm, 4500 lm, 6000 lm, 38.5 W, 23 W, 157 lm/W, 155 lm/W, 4000 K, (0.38.0.38)SDCM<3, UGR19, Wide beam office-compliant, Microprismatic lens, Polycarbonate, IP20/44 | Finger-protected; wire-protected, splash-proof, IK03 | 0.35 J reinforced, Safety class II, Cable without plug 5-pole, Push-in connector 4-pole, SC | Safety cable, Emergency lighting ready (through compatible battery kit accessory)

Product data

| General Information | | Light source colour | |
|-------------------------------------|----------------------|-----------------------------|----------------------------|
| Number of gear units | Unit | Light source colour | 840 neutral white |
| Driver included | Yes | Optic type | Wide beam office-compliant |
| Service Tag | No | Luminaire light beam spread | 80° |
| Value ladder | Performance | Unified Glare Rating (CEN) | 19 |
| Warranty period | 5 years | All-in Type | All-in, Multi Lumen |
| Light Technical | | Operating and Electrical | |
| Luminous Flux | 3,600 4,500 6,000 lm | Input Voltage | 220-240 V |
| Correlated Colour Temperature (Nom) | 4000 K | Line Frequency | 50 or 60 Hz |
| Luminous efficacy (rated) (nom.) | 157 155 lm/W | Inrush current | 5.33 A |
| Colour rendering index (CRI) | >80 | Inrush time | 0.04 ms |
| | | Power Consumption | 38.5 23 W |

CoreLine recessed gen 4

| | |
|---|---------------------------|
| Power Factor (Fraction) | 0.9 |
| Connection | Push-in connector 4-pole |
| Cable | Cable without plug 5-pole |
| Number of products on MCB (16 A type B) | 73 |
| Suitable for random switching | No |
| Protection class IEC | Safety class II |

Controls and Dimming

| | |
|-------------------------------|---------------------------------------|
| Dimmable | Yes |
| Driver/power unit/transformer | Power supply unit with DALI interface |
| Control interface | DALI |
| Constant light output | No |
| DALI standard | DALI-2™ |

Mechanical and Housing

| | |
|---|--|
| Housing material | Steel |
| Reflector material | Steel |
| Optic material | Polycarbonate |
| Optical cover/lens material | Polycarbonate |
| Fixation material | - |
| Housing Colour | White |
| Optical cover/lens finish | Microprismatic lens |
| Overall length | 595 mm |
| Overall width | 595 mm |
| Overall height | 38.5 mm |
| Dimensions (height x width x depth) | 39 x 595 x 595 mm |
| Compatible ceiling or ceiling installation accessory type | Visible profile ceiling version |
| Ingress protection code | IP20/44 [Finger-protected; wire-protected, splash-proof] |
| Mech. impact protection code | IK03 [0.35 J reinforced] |
| Safety device | SC [Safety cable] |
| Net Weight (Piece) | 3.140 kg |

Emergency Operation

| | |
|--------------------|---|
| Emergency flux | 380 lm |
| Central Emergency | No |
| Emergency lighting | Emergency lighting ready (through compatible battery kit accessory) |

Approval and Application

| | |
|----------------------|--|
| Glow-wire test | Temperature 650 °C, duration 30 s |
| Flammability mark | For mounting on normally flammable surfaces |
| CE mark | Yes |
| ENEC mark | ENEC mark |
| Photobiological risk | Photobiological risk group 0 @200mm to EN62778 |
| EU RoHS compliant | Yes |

| | |
|------------------------------------|---------------|
| Performance ambient temperature Tq | 25 °C |
| Ambient temperature range | -10 to +40 °C |

Initial Performance (IEC Compliant)

| | |
|-----------------------------|-------------------|
| Luminous flux tolerance | +/-10% |
| Initial chromaticity | (0.38,0.38)SDCM<3 |
| Power consumption tolerance | +/-10% |

Over Time Performance (IEC Compliant)

| | |
|--|-----|
| Control gear failure rate at median useful life 50,000 h | 5 % |
| Lumen maintenance (EN-IEC 62722-2-1) at median useful life* 50000 h | L90 |
| Lumen maintenance (EN-IEC 62722-2-1) at median useful life* 100000 h | L80 |

Sustainability Data

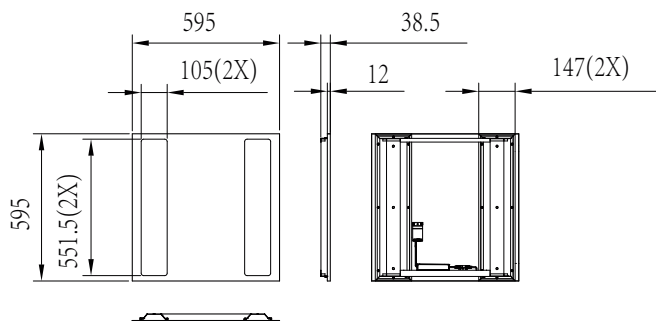
| | |
|--|---|
| Sustainability rating | Unclassified |
| Repair class | Repair Class D, this product is not designed to be repaired. |
| Embedded carbon (A1-A3) | 29.4 kg CO ₂ e |
| Product non-virgin material ratio | 24 % |
| Recyclable the content ratio of the finished product | 69 % |
| GWP total B6 (kg CO ₂ eq) Declared Unit | Please calculate using your local energy mix value: Power Declared Unit (kW) * Service life (hrs) Declared Unit * Energy mix (kg CO ₂ eq / kwh) |
| GWP total B6 (kg CO ₂ eq) Functional Unit | Please calculate using your local energy mix value: POWER DECLARED UNIT (kW) * 1000 (lm) / LUMEN OUTPUT DECLARED UNIT (lm) * 35000 (hrs) * ENERGY MIX (kg CO ₂ eq / kwh) |

Product Data

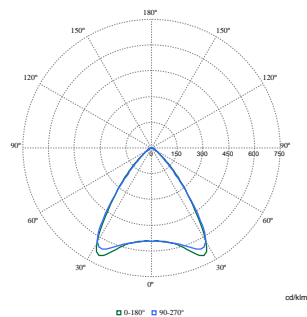
| | |
|---------------------------------|---------------------------------------|
| Order product name | RC136B G4 36_45_60S/840 PSD W60L60 OC |
| Full product name | RC136B G4 36_45_60S/840 PSD W60L60 OC |
| Full EOC | 872016976414999 |
| Order code | 911401840987 |
| Material no. (12 NC) | 911401840987 |
| Numerator – quantity per pack | 1 |
| EAN/UPC – Product/Case | 8720169764149 |
| Numerator – packs per outer box | 4 |
| EAN/UPC - Case | 8720169764422 |

CoreLine recessed gen 4

Dimensional drawing



Photometric data



Polar Normal (separate) - 911401840987

