



# CoreLine surface mounted gen 4

## SM136V G4 36\_45\_60S/840 PSU W20L120 OC

CoreLine surface mounted gen 4, All-in, 38.5 W, 23 W, 200x1200 mm, 3600 lm, 4500 lm, 6000 lm, 4000 K, UGR19

200x1200 mm, Steel, White, Signal white (RAL9003), Surface, Power supply unit (On/Off), All-in, Multi Lumen, 3600 lm, 4500 lm, 6000 lm, 38.5 W, 23 W, 157 lm/W, 155 lm/W, 4000 K, (0.38.0.38)SDCM<3, UGR19, Wide beam office-compliant, Microprismatic lens, Polycarbonate, IP20/44 | Finger-protected; wire-protected, splash-proof, IK03 | 0.35 J reinforced, Safety class II, Cable with connector 3-pole, Push-in connector 3-pole

### Product data

General Information	
Number of gear units	Unit
Driver included	Yes
Service Tag	No
Value ladder	Performance
Warranty period	5 years
Light Technical	
Luminous Flux	3,600 4,500 6,000 lm
Correlated Colour Temperature (Nom)	4000 K
Luminous efficacy (rated) (nom.)	157 155 lm/W
Colour rendering index (CRI)	>80
Light source colour	840 neutral white
Optic type	Wide beam office-compliant
Luminaire light beam spread	80°

Unified Glare Rating (CEN)	19
All-in Type	All-in, Multi Lumen
Operating and Electrical	
Input Voltage	220-240 V
Line Frequency	50 or 60 Hz
Inrush current	25 A
Inrush time	0.15 ms
Power Consumption	38.5 23 W
Power Factor (Fraction)	0.9
Connection	Push-in connector 3-pole
Cable	Cable with connector 3-pole
Number of products on MCB (16 A type B)	38
Suitable for random switching	No

## CoreLine surface mounted gen 4

Protection class IEC	Safety class II
----------------------	-----------------

### Controls and Dimming

Dimmable	No
Driver/power unit/transformer	Power supply unit (On/Off)
Constant light output	No

### Mechanical and Housing

Housing material	Steel
Reflector material	Steel
Optic material	Polycarbonate
Optical cover/lens material	Polycarbonate
Fixation material	-
Housing Colour	White
Optical cover/lens finish	Microprismatic lens
Overall length	1,200 mm
Overall width	200 mm
Overall height	53 mm
Dimensions (height x width x depth)	53 x 200 x 1200 mm
Ingress protection code	IP20/44 [Finger-protected; wire-protected, splash-proof]
Mech. impact protection code	IK03 [0.35 J reinforced]
Mounting	Surface
Net Weight (Piece)	3.590 kg

### Approval and Application

Glow-wire test	Temperature 650 °C, duration 30 s
Flammability mark	For mounting on normally flammable surfaces
CE mark	Yes
ENEC mark	ENEC mark
Photobiological risk	Photobiological risk group 0 @200mm to EN62778
EU RoHS compliant	Yes
Performance ambient temperature Tq	25 °C
Ambient temperature range	-10 to +40 °C

### Initial Performance (IEC Compliant)

Luminous flux tolerance	+/-10%
Initial chromaticity	(0.38.0.38)SDCM<3
Power consumption tolerance	+/-10%

### Over Time Performance (IEC Compliant)

Control gear failure rate at median useful life 50,000 h	5 %
Lumen maintenance (EN-IEC 62722-2-1) at median useful life* 50000 h	L90
Lumen maintenance (EN-IEC 62722-2-1) at median useful life* 100000 h	L80

### Sustainability Data

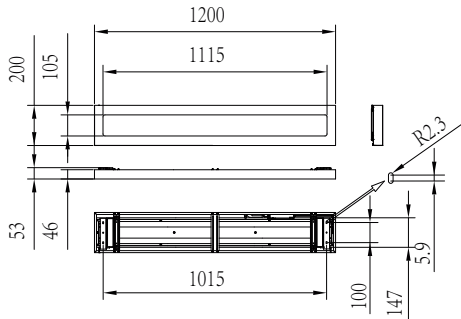
Sustainability rating	Unclassified
Repair class	Repair Class D, this product is not designed to be repaired.
Embedded carbon (A1-A3)	30.4 kg CO <sub>2</sub> e
Product non-virgin material ratio	24.5 %
Recyclable the content ratio of the finished product	71.2 %
GWP total B6 (kg CO <sub>2</sub> eq) Declared Unit	Please calculate using your local energy mix value: Power Declared Unit (kW) * Service life (hrs) Declared Unit * Energy mix (kg CO <sub>2</sub> eq / kwh)
GWP total B6 (kg CO <sub>2</sub> eq) Functional Unit	Please calculate using your local energy mix value: POWER DECLARED UNIT (kW) * 1000 (lm) / LUMEN OUTPUT DECLARED UNIT (lm) * 35000 (hrs) * ENERGY MIX (kg CO <sub>2</sub> eq / kwh)

### Product Data

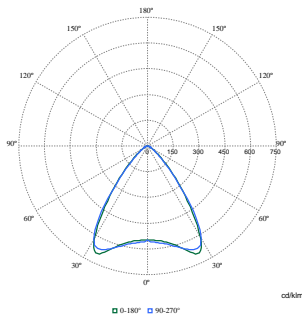
Order product name	SM136V G4 36_45_60S/840 PSU W20L120 OC
Full product name	SM136V G4 36_45_60S/840 PSU W20L120 OC
Full EOC	872016976422499
Order code	911401841787
Material no. (12 NC)	911401841787
Numerator – quantity per pack	1
EAN/UPC – Product/Case	8720169764224
Numerator – packs per outer box	4
EAN/UPC – Case	8720169764507

# CoreLine surface mounted gen 4

## Dimensional drawing



## Photometric data



Polar Normal (separate) - 911401841787

