



CoreLine surface mounted gen 4

SM136V G4 43S/840 WIA W20L120 OC

CoreLine surface mounted gen 4, 27.5 W, 200x1200 mm, 4300 lm, 4000 K, Wireless, Interact Ready, UGR19

200x1200 mm, Steel, White, Signal white (RAL9003), Surface, Wireless driver Interact System-ready, 4300 lm, 27.5 W, 156 lm/W, 4000 K, (0.38.0.38)SDCM<3, UGR19, Wide beam office-compliant, Microprismatic lens, Polycarbonate, IP20/44 | Finger-protected; wire-protected, splash-proof, IK03 | 0.35 J reinforced, Safety class II, Cable with connector 3-pole, Push-in connector 3-pole

Product data

General Information		Unified Glare Rating (CEN)	
Number of gear units	Unit	Unified Glare Rating (CEN)	19
Driver included	Yes	Operating and Electrical	
Service Tag	No	Input Voltage	220-240 V
Value ladder	Performance	Line Frequency	50 or 60 Hz
Warranty period	5 years	Inrush current	4.9 A
Light Technical		Inrush time	0.056 ms
Luminous Flux	4,300 lm	Power Consumption	27.5 W
Correlated Colour Temperature (Nom)	4000 K	Power Factor (Fraction)	0.9
Luminous efficacy (rated) (nom.)	156 lm/W	Connection	Push-in connector 3-pole
Colour rendering index (CRI)	>80	Cable	Cable with connector 3-pole
Light source colour	840 neutral white	Number of products on MCB (16 A type B)	24
Optic type	Wide beam office-compliant	Suitable for random switching	No
Luminaire light beam spread	80°	Protection class IEC	Safety class II

CoreLine surface mounted gen 4

Controls and Dimming	
Dimmable	Yes
Driver/power unit/transformer	Wireless driver Interact System-ready
Control interface	Wireless
Constant light output	No
Connectivity	Interact Ready

Mechanical and Housing	
Housing material	Steel
Reflector material	Steel
Optic material	Polycarbonate
Optical cover/lens material	Polycarbonate
Fixation material	-
Housing Colour	White
Optical cover/lens finish	Microprismatic lens
Overall length	1,200 mm
Overall width	200 mm
Overall height	53 mm
Dimensions (height x width x depth)	53 x 200 x 1200 mm
Ingress protection code	IP20/44 [Finger-protected; wire-protected, splash-proof]
Mech. impact protection code	IK03 [0.35 J reinforced]
Mounting	Surface
Net Weight (Piece)	3.590 kg

Approval and Application	
Glow-wire test	Temperature 650 °C, duration 30 s
Flammability mark	For mounting on normally flammable surfaces
CE mark	Yes
ENEC mark	ENEC mark
Photobiological risk	Photobiological risk group 0 @200mm to EN62778
EU RoHS compliant	Yes
Performance ambient temperature Tq	25 °C
Ambient temperature range	-10 to +40 °C

Initial Performance (IEC Compliant)	
Luminous flux tolerance	+/-10%
Initial chromaticity	(0.38,0.38)SDCM<3

Power consumption tolerance	+/-10%
-----------------------------	--------

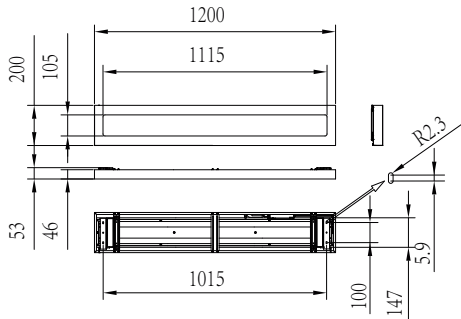
Over Time Performance (IEC Compliant)	
Control gear failure rate at median useful life 50,000 h	5 %
Lumen maintenance (EN-IEC 62722-2-1) at median useful life* 50000 h	L90
Lumen maintenance (EN-IEC 62722-2-1) at median useful life* 100000 h	L80

Sustainability Data	
Sustainability rating	Unclassified
Repair class	Repair Class D, this product is not designed to be repaired.
Embedded carbon (A1-A3)	30.4 kg CO _{2e}
Product non-virgin material ratio	24.5 %
Recyclable the content ratio of the finished product	71.2 %
GWP total B6 (kg CO _{2eq}) Declared Unit	Please calculate using your local energy mix value: Power Declared Unit (kW) * Service life (hrs) Declared Unit * Energy mix (kg CO _{2eq} / kWh)
GWP total B6 (kg CO _{2eq}) Functional Unit	Please calculate using your local energy mix value: POWER DECLARED UNIT (kW) * 1000 (lm) / LUMEN OUTPUT DECLARED UNIT (lm) * 35000 (hrs) * ENERGY MIX (kg CO ₂ eq / kWh)

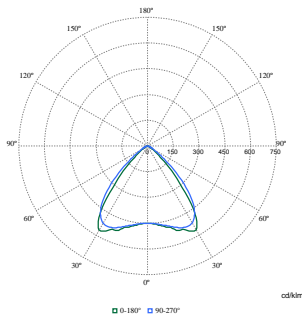
Product Data	
Order product name	SM136V G4 43S/840 WIA W20L120 OC
Full product name	SM136V G4 43S/840 WIA W20L120 OC
Full EOC	872016976426299
Order code	911401842187
Material no. (12 NC)	911401842187
Numerator – quantity per pack	1
EAN/UPC – Product/Case	8720169764262
Numerator – packs per outer box	4
EAN/UPC – Case	8720169764545

CoreLine surface mounted gen 4

Dimensional drawing



Photometric data



Polar Normal (separate) - 911401842187

