



CoreLine Panel gen6

RC132V G6 36S/840 PSU W30L120 OC

CoreLine Panel gen6, 26 W, 1200x30 mm, VPC, 3600 lm, 4000 K, UGR19

1200x30 mm, Visible profile ceiling version, Steel, White, Signal white (RAL9003), Power supply unit external (On/Off), 3600 lm, 26 W, 140 lm/W, 4000 K, (0.38, 0.38) SDCM ≤ 3 , UGR19, Beam angle 90°, Microprismatic lens, Polystyrene, IP20/44 | Finger-protected; wire-protected, splash-proof, IK02 | 0.2 J standard, Safety class II, Push-in connector 2-pole, SC | Safety cable

Product data

General Information	
Number of gear units	Unit
Driver included	Yes
Service Tag	Yes
Value ladder	Performance
Warranty period	5 years
Light Technical	
Luminous Flux	3,600 lm
Correlated Colour Temperature (Nom)	4000 K
Luminous efficacy (rated) (nom.)	140 lm/W
Colour rendering index (CRI)	>80
Beam angle of light source	90 degree(s)
Light source colour	840 neutral white
Optic type	Beam angle 90°
Luminaire light beam spread	90°
Unified Glare Rating (CEN)	19

Operating and Electrical	
Input Voltage	220 to 240 V
Line Frequency	50 or 60 Hz
Inrush current	16 A
Inrush time	0.2 ms
Power Consumption	26 W
Power Factor (Fraction)	0.9
Connection	Push-in connector 2-pole
Cable	-
Number of products on MCB (16 A type B)	30
Suitable for random switching	Not applicable
Protection class IEC	Safety class II
Total harmonic distortion	20 %
Controls and Dimming	
Dimmable	No
Driver/power unit/transformer	Power supply unit external (On/Off)
Control interface	-

CoreLine Panel gen6

Constant light output	No
Maximum dim level	Not applicable

Mechanical and Housing

Housing material	Steel
Reflector material	Acrylate
Optic material	Polystyrene
Optical cover/lens material	Polystyrene
Fixation material	-
Housing Colour	White
Optical cover/lens finish	Microprismatic lens
Overall length	1,195 mm
Overall width	295 mm
Overall height	63 mm
Dimensions (height x width x depth)	63 x 295 x 1195 mm
Compatible ceiling or ceiling installation accessory type	Visible profile ceiling version
Ingress protection code	IP20/44 [Finger-protected; wire-protected, splash-proof]
Mech. impact protection code	IK02 [0.2 J standard]
Safety device	SC [Safety cable]
Net Weight (Piece)	2.350 kg

Emergency Operation

Central Emergency	No
-------------------	----

Approval and Application

Glow-wire test	Temperature 650 °C, duration 30 s
Flammability mark	For mounting on normally flammable surfaces
CE mark	Yes
ENEC mark	ENEC mark
Photobiological risk	Photobiological risk group 0 @200mm to EN62778
Photobiological risk specification	0.2 m
EU RoHS compliant	Yes
Performance ambient temperature Tq	25 °C
Flickering value (PstLM)	1
Stroboscopic effect	0.4
Ambient temperature range	-10 to +35 °C

Initial Performance (IEC Compliant)

Luminous flux tolerance	-10% / +10%
-------------------------	-------------

Initial chromaticity	(0.38, 0.38) SDCM ≤3
Power consumption tolerance	+/-10%

Over Time Performance (IEC Compliant)

Control gear failure rate at median useful life 50,000 h	5 %
Lumen maintenance (EN-IEC 62722-2-1) at median useful life* 50000 h	L90
Lumen maintenance (EN-IEC 62722-2-1) at median useful life* 100000 h	L80

Sustainability Data

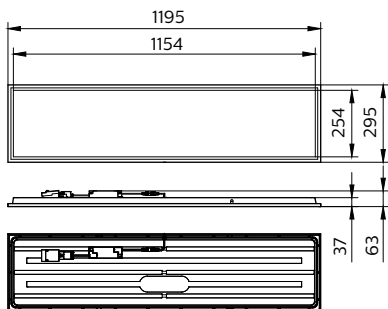
Sustainability rating	Unclassified
Repair class	Repair Class D, this product is not designed to be repaired.
Embedded carbon (A1-A3)	26.7 kg CO ₂ e
Product non-virgin material ratio	10.1 %
Recyclable the content ratio of the finished product	48.6 %
GWP total B6 (kg CO ₂ eq) Declared Unit	Please calculate using your local energy mix value: Power Declared Unit (kW) * Service life (hrs) Declared Unit * Energy mix (kg CO ₂ eq / kwh)
GWP total B6 (kg CO ₂ eq) Functional Unit	Please calculate using your local energy mix value: POWER DECLARED UNIT (kW) * 1000 (lm) / LUMEN OUTPUT DECLARED UNIT (lm) * 35000 (hrs) * ENERGY MIX (kg CO ₂ eq / kwh)

Product Data

Order product name	RC132V G6 36S/840 PSU W30L120 OC
Full product name	RC132V G6 36S/840 PSU W30L120 OC
Full EOC	872016973514999
Order code	911401890785
Material no. (12 NC)	911401890785
Numerator – quantity per pack	1
EAN/UPC – Product/Case	8720169735149
Numerator – packs per outer box	4
EAN/UPC – Case	8720169735293

CoreLine Panel gen6

Dimensional drawing



Photometric data



Polar Normal (separate) - 911401890785

