



CoreLine SlimDownlight

DN145B LED10S/830_840 PSD WH

CoreLine SlimDownlight, All-in, 10 W, D155 mm, 1080 lm, 1150 lm, 3000 K, 4000 K, DALI, Textured, IP20/44, EL-ready

D155 mm, Aluminium die-cast, White, Signal white (RAL9003), Recessed, Power supply unit with DALI interface external, All-in, Multi Color Temperature, 1080 lm, 1150 lm, 10 W, 115 lm/W, 108 lm/W, 3000 K, 4000 K, (0.43,0.40) SDCM<3; (0.38,0.38) SDCM<3, Beam angle 90°, Symmetrical, Textured, Polycarbonate, IP20 (IP44 front), IK03 | 0.3 J, Safety class II, Push-in connector 8-pole, Emergency lighting ready (through compatible battery kit accessory)

Product data

General Information		Operating and Electrical	
Number of gear units	Unit	Luminaire light beam spread	90°
Driver included	Yes	Unified Glare Rating (CEN)	28
Service Tag	Yes	All-in Type	All-in, Multi Color Temperature
Mounting	Recessed	Input Voltage	220 to 240 V
Value ladder	Performance	Line Frequency	50 or 60 Hz
Warranty period	5 years	Inrush current	16.5 A
Light Technical		Inrush time	0.177 ms
Luminous Flux	1,080 1,150 lm	Power Consumption	10 W
Correlated Colour Temperature (Nom)	3000 4000 K	Power Factor (Fraction)	0.9
Luminous efficacy (rated) (nom.)	115 108 lm/W	Connection	Push-in connector 8-pole
Colour rendering index (CRI)	>80	Cable	-
Light source colour	830 warm white, 840 neutral white	Number of products on MCB (16 A type B)	36
Optic type	Beam angle 90° Symmetrical	Suitable for random switching	No

CoreLine SlimDownlight

Protection class IEC	Safety class II
Controls and Dimming	
Dimmable	Yes
Driver/power unit/transformer	Power supply unit with DALI interface external
Control interface	DALI
Constant light output	No
DALI standard	DALI-2™
Mechanical and Housing	
Housing material	Aluminium die-cast
Reflector material	Polycarbonate
Optic material	Polymethyl methacrylate
Optical cover/lens material	Polycarbonate
Fixation material	-
Housing Colour	White
Optical cover/lens finish	Textured
Overall length	170 mm
Overall height	30 mm
Overall diameter	170 mm
Ingress protection code	IP20 (IP44 front)
Mech. impact protection code	IK03 [0.3 J]
Mounting	Recessed
Net Weight (Piece)	0.420 kg
Emergency Operation	
Central Emergency	No
Emergency lighting	Emergency lighting ready (through compatible battery kit accessory)
Approval and Application	
Glow-wire test	Temperature 650 °C, duration 30 s
Flammability mark	For mounting on normally flammable surfaces
CE mark	Yes

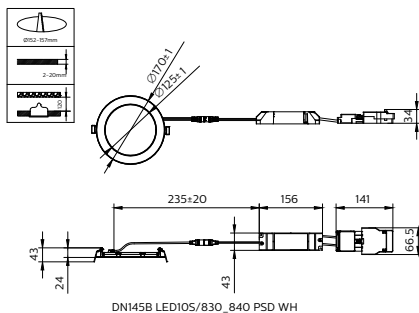
ENEC mark	ENEC mark
EU RoHS compliant	Yes
Performance ambient temperature Tq	25 °C
Flickering value (PstLM)	1
Stroboscopic effect	0.4
Ambient temperature range	-20 to +40 °C
Initial Performance (IEC Compliant)	
Luminous flux tolerance	-10% / +10%
Initial chromaticity	(0.43,0.40) SDCM<3; (0.38,0.38) SDCM<3
Power consumption tolerance	+/-10%

Over Time Performance (IEC Compliant)	
Control gear failure rate at median useful life 50,000 h	5 %
Lumen maintenance (EN-IEC 62722-2-1) at median useful life* 50000 h	L80

Sustainability Data	
Sustainability rating	Unclassified
Repair class	Repair Class D, this product is not designed to be repaired.

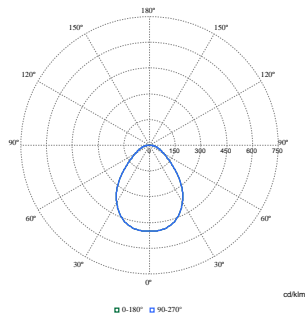
Product Data	
Order product name	DN145B LED10S/830_840 PSD WH
Full product name	DN145B LED10S/830_840 PSD WH
Full EOC	872110331699899
Order code	911401894687
Material no. (12 NC)	911401894687
Numerator – quantity per pack	1
EAN/UPC – Product/Case	8721103316998
Numerator – packs per outer box	24
EAN/UPC - Case	8721103317148

Dimensional drawing



CoreLine SlimDownlight

Photometric data



Polar Normal (separate) - 911401894687

