



# CoreLine SlimDownlight

## DN145B LED20S/830\_840 PSD WH

CoreLine SlimDownlight, All-in, 18 W, D205 mm, 2000 lm, 2100 lm, 3000 K, 4000 K, DALI, Textured, IP20/44, EL-ready

D205 mm, Aluminium die-cast, White, Signal white (RAL9003), Recessed, Power supply unit with DALI interface external, All-in, Multi Color Temperature, 2000 lm, 2100 lm, 18 W, 117 lm/W, 111 lm/W, 3000 K, 4000 K, (0.43,0.40) SDCM<3; (0.38,0.38) SDCM<3, Beam angle 90°, Symmetrical, Textured, Polycarbonate, IP20 (IP44 front), IK03 | 0.3 J, Safety class II, Push-in connector 8-pole, Emergency lighting ready (through compatible battery kit accessory)

### Product data

General Information		Operating and Electrical	
Number of gear units	Unit	Luminaire light beam spread	90°
Driver included	Yes	Unified Glare Rating (CEN)	28
Service Tag	Yes	All-in Type	All-in, Multi Color Temperature
Mounting	Recessed	Input Voltage	220 to 240 V
Value ladder	Performance	Line Frequency	50 or 60 Hz
Warranty period	5 years	Inrush current	16.5 A
Light Technical		Inrush time	0.177 ms
Luminous Flux	2,000 2,100 lm	Power Consumption	18 W
Correlated Colour Temperature (Nom)	3000 4000 K	Power Factor (Fraction)	0.9
Luminous efficacy (rated) (nom.)	117 111 lm/W	Connection	Push-in connector 8-pole
Colour rendering index (CRI)	>80	Cable	-
Light source colour	830 warm white, 840 neutral white	Number of products on MCB (16 A type B)	36
Optic type	Beam angle 90° Symmetrical	Suitable for random switching	No

# CoreLine SlimDownlight

Protection class IEC	Safety class II
<b>Controls and Dimming</b>	
Dimmable	Yes
Driver/power unit/transformer	Power supply unit with DALI interface external
Control interface	DALI
Constant light output	No
DALI standard	DALI-2™
<b>Mechanical and Housing</b>	
Housing material	Aluminium die-cast
Reflector material	Polycarbonate
Optic material	Polymethyl methacrylate
Optical cover/lens material	Polycarbonate
Fixation material	-
Housing Colour	White
Optical cover/lens finish	Textured
Overall length	218 mm
Overall height	30 mm
Overall diameter	218 mm
Ingress protection code	IP20 (IP44 front)
Mech. impact protection code	IK03 [0.3 J]
Mounting	Recessed
Net Weight (Piece)	0.550 kg
<b>Emergency Operation</b>	
Central Emergency	No
Emergency lighting	Emergency lighting ready (through compatible battery kit accessory)
<b>Approval and Application</b>	
Glow-wire test	Temperature 650 °C, duration 30 s
Flammability mark	For mounting on normally flammable surfaces
CE mark	Yes

ENEC mark	ENEC mark
EU RoHS compliant	Yes
Performance ambient temperature Tq	25 °C
Flickering value (PstLM)	1
Stroboscopic effect	0.4
Ambient temperature range	-20 to +40 °C

## Initial Performance (IEC Compliant)

Luminous flux tolerance	-10% / +10%
Initial chromaticity	(0.43,0.40) SDCM<3; (0.38,0.38) SDCM<3
Power consumption tolerance	+/-10%

## Over Time Performance (IEC Compliant)

Control gear failure rate at median useful life 50,000 h	5 %
Lumen maintenance (EN-IEC 62722-2-1) at median useful life* 50000 h	L80

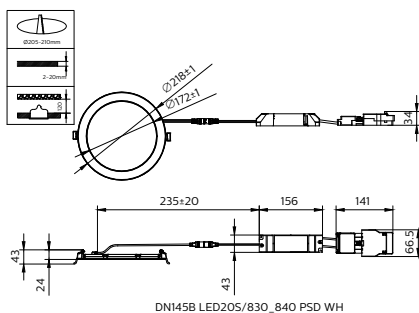
## Sustainability Data

Sustainability rating	Unclassified
Repair class	Repair Class D, this product is not designed to be repaired.

## Product Data

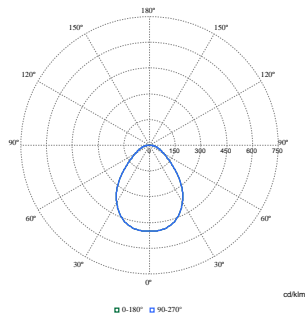
Order product name	DN145B LED20S/830_840 PSD WH
Full product name	DN145B LED20S/830_840 PSD WH
Full EOC	872110331700199
Order code	911401894787
Material no. (12 NC)	911401894787
Numerator – quantity per pack	1
EAN/UPC – Product/Case	8721103317001
Numerator – packs per outer box	20
EAN/UPC - Case	8721103317155

## Dimensional drawing



# CoreLine SlimDownlight

## Photometric data



Polar Normal (separate) - 911401894787

