



# CoreLine SlimDownlight

## DN145B LED20S/830\_840 WIA WH

CoreLine SlimDownlight, All-in, 17.5 W, D205 mm, 2000 lm, 2100 lm, 3000 K, 4000 K, Wireless, Interact Ready, Textured, IP20/44, EL-ready

D205 mm, Aluminium die-cast, White, Signal white (RAL9003), Recessed, Wireless driver Interact System-ready external, All-in, Multi Color Temperature, 2000 lm, 2100 lm, 17.5 W, 120 lm/W, 114 lm/W, 3000 K, 4000 K, (0.43,0.40) SDCM<3; (0.38,0.38) SDCM<3, Beam angle 90°, Symmetrical, Textured, Polycarbonate, IP20 (IP44 front), IK03 | 0.3 J, Safety class II, Push-in connector 6-pole, Emergency lighting ready (through compatible battery kit accessory)

### Product data

General Information		Operating and Electrical	
Number of gear units	Unit	Light source colour	830 warm white, 840 neutral white
Driver included	Yes	Optic type	Beam angle 90° Symmetrical
Service Tag	Yes	Luminaire light beam spread	90°
Mounting	Recessed	Unified Glare Rating (CEN)	28
Value ladder	Performance	All-in Type	All-in, Multi Color Temperature
Warranty period	5 years		
Light Technical		Input Voltage	220 to 240 V
Luminous Flux	2,000 2,100 lm	Line Frequency	50 or 60 Hz
Correlated Colour Temperature (Nom)	3000 4000 K	Inrush current	4.9 A
Luminous efficacy (rated) (nom.)	120 114 lm/W	Inrush time	0.056 ms
Colour rendering index (CRI)	>80	Power Consumption	17.5 W
		Power Factor (Fraction)	0.9

# CoreLine SlimDownlight

Connection	Push-in connector 6-pole
Cable	-
Number of products on MCB (16 A type B)	24
Suitable for random switching	No
Protection class IEC	Safety class II

## Controls and Dimming

Dimmable	Yes
Driver/power unit/transformer	Wireless driver Interact System-ready external
Control interface	Wireless
Constant light output	No
Connectivity	Interact Ready

## Mechanical and Housing

Housing material	Aluminium die-cast
Reflector material	Polycarbonate
Optic material	Polymethyl methacrylate
Optical cover/lens material	Polycarbonate
Fixation material	-
Housing Colour	White
Optical cover/lens finish	Textured
Overall length	218 mm
Overall height	30 mm
Overall diameter	218 mm
Ingress protection code	IP20 (IP44 front)
Mech. impact protection code	IK03 [0.3 J]
Mounting	Recessed
Net Weight (Piece)	0.510 kg

## Emergency Operation

Central Emergency	No
Emergency lighting	Emergency lighting ready (through compatible battery kit accessory)

## Approval and Application

Glow-wire test	Temperature 650 °C, duration 30 s
Flammability mark	For mounting on normally flammable surfaces

CE mark	Yes
ENEC mark	ENEC mark
EU RoHS compliant	Yes
Performance ambient temperature Tq	25 °C
Flickering value (PstLM)	1
Stroboscopic effect	0.4
Ambient temperature range	-20 to +40 °C

## Initial Performance (IEC Compliant)

Luminous flux tolerance	-10% / +10%
Initial chromaticity	(0.43,0.40) SDCM<3; (0.38,0.38) SDCM<3
Power consumption tolerance	+/-10%

## Over Time Performance (IEC Compliant)

Control gear failure rate at median useful life 50,000 h	5 %
Lumen maintenance (EN-IEC 62722-2-1) at median useful life* 50000 h	L80

## Sustainability Data

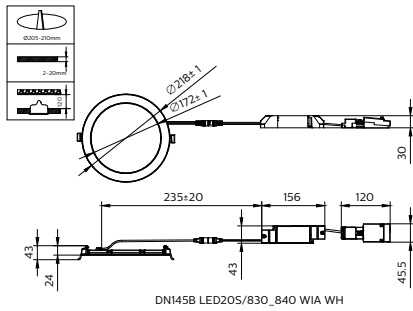
Sustainability rating	Unclassified
Repair class	Repair Class D, this product is not designed to be repaired.

## Product Data

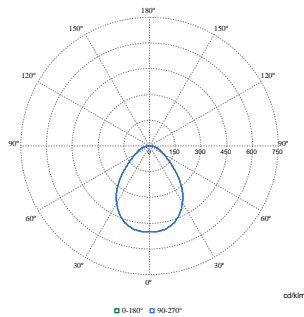
Order product name	DN145B LED20S/830_840 WIA WH
Full product name	DN145B LED20S/830_840 WIA WH
Full EOC	872110331702599
Order code	911401894987
Material no. (12 NC)	911401894987
Numerator – quantity per pack	1
EAN/UPC – Product/Case	8721103317025
Numerator – packs per outer box	20
EAN/UPC - Case	8721103317179

# CoreLine SlimDownlight

## Dimensional drawing



## Photometric data



Polar Normal (separate) - 911401894987

