



CoreLine Recessed Spot gen2

RS151B LED12-WB-/830 D78 PSD PI10 WH

CoreLine Recessed Spot gen2, Adjustable, 12.3 W, D78 mm, 1200 lm, 3000 K, DALI, Wide beam, White, IP20/44

CoreLine Recessed Spot gen2 delivers on the CoreLine promise of innovative, easy to use and high-quality luminaires. Its modular design allows 'configure to fit' option that better responds to your specific needs. The range offers a wide range choice on light colour (CCT), light output, colour finish, frame types and connectivity options. The compact and lite design of CoreLine Recessed Spot gen2, always incorporating a push in connector allowing loop in/out wiring and supporting a wide range of wire diameters/cross-sectional area, makes installation hassle-free. High quality of light, numerous connectivity options, long luminaire lifetime and high system efficacy make CoreLine Recessed Spot gen2 an ideal accent solution for your indoor spot lighting applications.

Warnings and Safety

- The luminaire should be installed and disassembled by a qualified electrician and wired in accordance with the latest IEE electrical regulations or the national requirements, as per the product mounting instructions.

Product data

General Information		Serviceability class	
Light source replaceable	Yes	Class C, luminaire without serviceable parts, not serviceable	
Number of gear units	Unit	Warranty period	
Driver included	Yes	5 years	
Lighting Technology		Light Technical	
Value ladder	Performance	Luminous Flux	1,200 lm
		Saturated Red (R9)	<50

CoreLine Recessed Spot gen2

Correlated Colour Temperature (Nom)	3000 K
Luminous efficacy (rated) (nom.)	98 lm/W
Colour rendering index (CRI)	>80
Beam angle of light source	120 degree(s)
Light source colour	830 warm white
Optic type	Wide beam
Luminaire light beam spread	38°
Unified Glare Rating (CEN)	24

Sustainability Data

Product non-virgin material ratio	9.89 %
GWP total B6 (kg CO2eq) Declared Unit	Please calculate using your local energy mix value: Power Declared Unit (W) * Service life (hrs) Declared Unit * Energy mix (kg CO2eq / kwh)
GWP total B6 (kg CO2eq) Functional Unit	Please calculate using your local energy mix value: Power Declared Unit (W) * 1000 (lm) / lumen output (lm) Declared Unit * 35000 (hrs) * Energy mix (kg CO2 eq / kwh)

Operating and Electrical

Input Voltage	220 to 240 V
Line Frequency	50 or 60 Hz
Average CLO power consumption	- W
Inrush current	60 A
Inrush time	0.12 ms
Power Consumption	12.3 W
Power Factor (Fraction)	0.9
Connection	Push-in connector 5-pole
Cable	Cable 0.25 m with connector 5-pole
Number of products on MCB (16 A type B)	20
Suitable for random switching	No
Protection class IEC	Safety class II
Total harmonic distortion	15 %

Controls and Dimming

Dimmable	Yes
Driver/power unit/transformer	Power supply unit with DALI interface external
Control interface	DALI
Constant light output	No
DALI standard	DALI-2™
Maximum dim level	10% (depends on dimmer, ELV)

Mechanical and Housing

Housing material	Aluminium die-cast
Reflector material	-
Optic material	Polycarbonate
Optical cover/lens material	Polycarbonate
Fixation material	Steel

Housing Colour	White
Optical cover/lens finish	-
Overall height	60 mm
Overall diameter	95 mm
Ingress protection code	IP20/44 [Finger-protected; wire-protected, splash-proof]
Mech. impact protection code	IK03 [0.3 J]
Net Weight (Piece)	0.400 kg

Approval and Application

Glow-wire test	Temperature 650 °C, duration 30 s
Flammability mark	For mounting on normally flammable surfaces
CE mark	Yes
ENEC mark	ENEC mark
Photobiological risk	Photobiological risk group 1 @200mm to EN62778
Photobiological risk specification	0.2 m
EU RoHS compliant	Yes
Performance ambient temperature Tq	25 °C
Flickering value (PstLM)	1
Stroboscopic effect	0.4
Ambient temperature range	0 to +35 °C

Initial Performance (IEC Compliant)

Luminous flux tolerance	+/-10%
Initial chromaticity	(0.43, 0.40) SDCM <5
Power consumption tolerance	+/-10%
Standard Deviation of Colour Matching (McAdam ellipse)	SDCM≤5

Over Time Performance (IEC Compliant)

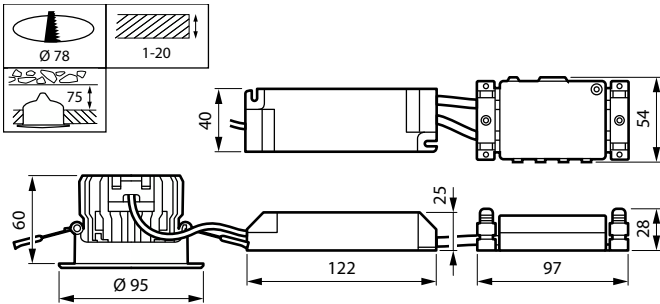
Control gear failure rate at median useful life 50,000 h	5 %
Lumen maintenance (EN-IEC 62722-2-1) at median useful life* 50000 h	L70

Product Data

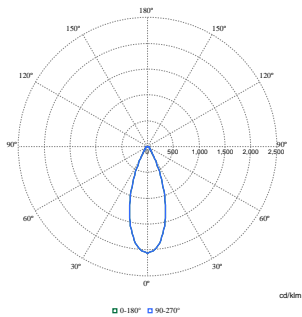
Order product name	RS151B LED12-WB-/830 D78 PSD P110 WH
Full product name	RS151B LED12-WB-/830 D78 PSD P110 WH
Full EOC	871951454824499
Order code	911401898782
Material no. (12 NC)	911401898782
Numerator – quantity per pack	1
EAN/UPC – Product/Case	8719514548244
Numerator – packs per outer box	18
EAN/UPC – Case	8719514548503

CoreLine Recessed Spot gen2

Dimensional drawing



Photometric data



Polar Normal (separate) - null - 911401898782

