



Coreline tempo small gen2

BVP111 LED51-4S/740 OFA52

Coreline tempo small gen2, Floodlight, 31 W, 4437 lm, 4000 K, CRI70, Asymmetrical, IP66

Floodlight, Aluminium, Grey, Power supply unit (On/Off), 4437 lm, 31 W, 142 lm/W, 4000 K, (0.434, 0.403) SDCM <5, CRI70, Asymmetrical, IP66 | Dust penetration-protected, jet-proof, IK08 | 5 J vandal-protected, Safety class I, Surge protection level until 6 kV differential mode and 8 kV common mode, Cable 1.0 m with plug Wieland/Adels compatible 3-pole, External connector

Product data

General Information		Light source colour	
Lamp family code	LED51 [LED module 5100 lm]	Light source colour	740 neutral white
Number of gear units	Unit	Luminaire light beam spread	60° x 120°
Driver included	Yes	Optic type outdoor	Asymmetrical
Light source engine type	LED	Effective projected area	0.02 m²
Service Tag	Yes	Operating and Electrical	
Lighting Technology	LED	Input Voltage	220 to 240 V
Value ladder	Performance	Line Frequency	50 to 60 Hz
Warranty period	5 years	Inrush current	18 A
		Inrush time	0.3 ms
		Power Consumption	31 W
		Power Factor (Fraction)	0.9
		Connection	External connector
		Cable	Cable 1.0 m with plug Wieland/Adels compatible 3-pole
		Number of products on MCB (16 A type B)	30

Coreline tempo small gen2

Protection class IEC	Safety class I
Surge Protection (Common/Differential)	Surge protection level until 6 kV differential mode and 8 kV common mode
Total harmonic distortion	9.7 %

Controls and Dimming

Dimmable	No
Driver/power unit/transformer	Power supply unit (On/Off)
Constant light output	No

Mechanical and Housing

Housing material	Aluminium
Reflector material	-
Optic material	Polycarbonate
Optical cover/lens material	Glass
Fixation material	Aluminium
Housing Colour	Grey
Mounting device	Wall-mounting bracket
Optical cover/lens shape	Flat
Optical cover/lens finish	Clear
Overall length	286.9 mm
Overall width	211.5 mm
Overall height	64 mm
Dimensions (height x width x depth)	64 x 212 x 287 mm
Ingress protection code	IP66 [Dust penetration-protected, jet-proof]
Mech. impact protection code	IK08 [5 J vandal-protected]
Standard tilt angle post-top	0°
Standard tilt angle side entry	0°
Optical cover type	Flat glass
Net Weight (Piece)	2.570 kg

Emergency Operation

Central Emergency	No
-------------------	----

Approval and Application

Flammability mark	For mounting on normally flammable surfaces
CE mark	Yes
ENEC mark	ENEC mark
Photobiological risk	Photobiological risk group 1 @200mm to EN62778
EU RoHS compliant	Yes
Performance ambient temperature Tq	25 °C
Ambient temperature range	-40 to +45 °C

Initial Performance (IEC Compliant)

Luminous flux tolerance	+/-7%
-------------------------	-------

Initial chromaticity	(0.434, 0.403) SDCM <5
Power consumption tolerance	+/-10%
Init. Colour Rendering Index Tolerance	+/-2
Standard Deviation of Colour Matching (McAdam ellipse)	SDCM≤5

Over Time Performance (IEC Compliant)

Control gear failure rate at median useful life 50,000 h	10 %
Control gear failure rate at median useful life 100,000 h	10 %
Lumen maintenance (EN-IEC 62722-2-1) at median useful life* 75000 h	L80
Lumen maintenance (EN-IEC 62722-2-1) at median useful life* 100000 h	L90

Sustainability Data

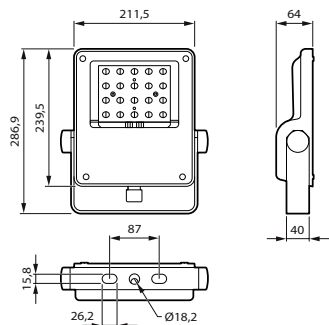
Sustainability rating	Unclassified
Repair class	Repair Class D, this product is not designed to be repaired.
Embedded carbon (A1-A3)	48.1 kg CO ₂ e
Product non-virgin material ratio	6.38 %
Recyclable the content ratio of the finished product	52.5 %
GWP total B6 (kg CO ₂ eq) Declared Unit	Please calculate using your local energy mix value: Power Declared Unit (kW) * Service life (hrs) Declared Unit * Energy mix (kg CO ₂ eq / kWh)
GWP total B6 (kg CO ₂ eq) Functional Unit	Please calculate using your local energy mix value: POWER DECLARED UNIT (kW) * 1000 (lm) / LUMEN OUTPUT DECLARED UNIT (lm) * 35000 (hrs) * ENERGY MIX (kg CO ₂ eq / kWh)

Product Data

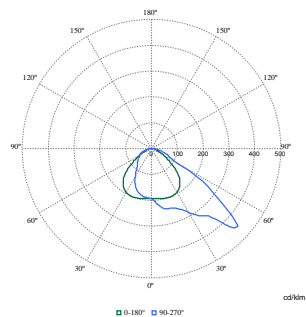
Order product name	BVP111 LED51-4S/740 OFA52
Full product name	BVP111 LED51-4S/740 OFA52
Full EOC	872016955679900
Order code	912300060466
Material no. (12 NC)	912300060466
Numerator – quantity per pack	1
EAN/UPC – Product/Case	8720169556799
Numerator – packs per outer box	1
EAN/UPC - Case	8720169556799
Product family code	BVP111 [Coreline tempo small gen2]

Coreline tempo small gen2

Dimensional drawing



Photometric data



Polar Normal (separate) - BVP1111 - 912300060466

