



HF-Performer Intelligent for TL5 HE/HO lamps

HF-Pi 2 28/35/49/54 TL5 EII 220-240V

HF-Performer Intelligent is a slim and lightweight high-frequency electronic ballast which makes it possible to exchange TL5 HE and HO lamps of the same length in order to maximize logistical flexibility in luminaire design and handling. With its smart power functionality based on Philips EII technology, HF-Performer Intelligent is optimized for maximum system efficiency (CELMA EEI A2 BAT) in combination with the TL5 and TL5 Eco lamp.

Product data

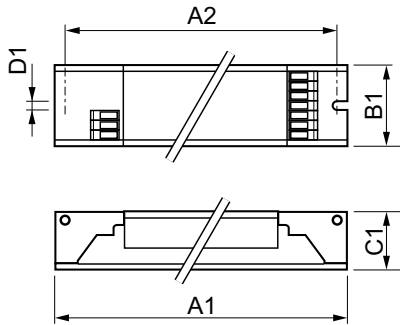
Operating and Electrical		T-Case maximum (max.)	
Input Voltage	220 to 240 V		75 °C
Line Frequency	50 to 60 Hz	Mechanical and Housing	
Input frequency	50 to 60 Hz	Housing	L360x30x22
Earth leakage current (max.)	0.5 mA	Ingress protection code	IP20 [Finger-protected]
Inrush current width	0.35 ms	Net Weight (Piece)	0.305 kg
Inrush current peak (max.)	31 A	Approval and Application	
Number of products on MCB (16 A type B) (nom.)	12	Energy efficiency index	A2 BAT
Wiring		Safety standard	IEC 61347-2-3
Connector type input terminals	Insert	Environmental standard	ISO 14001
Connector type output terminals	Insert	Approval marks	CE marking ENEC certificate VDE-EMV certificate
Temperature		CE mark	Yes
T-case lifetime (nom.)	75 °C	Ambient temperature range	-25°C to 50°C

HF-Performer Intelligent for TL5 HE/HO lamps

Product Data	
Order product name	HF-Pi 2 28/35/49/54 TL5 EII 220-240V
Full product name	HF-Pi 2 28/35/49/54 TL5 EII 220-240V
Full EOC	871150091502330
Order code	913700624366
Material no. (12 NC)	913700624366
Local order code	HFPI228354954

Numerator – quantity per pack	1
EAN/UPC – Product/Case	8711500915023
Numerator – packs per outer box	12
EAN/UPC – Case	8711500915030

Dimensional drawing



Product	D1	C1	A1	A2	B1
HF-Pi 2 28/35/49/54 TL5 EII 220-240V	4.2 mm	22 mm	360 mm	350 mm	30 mm

