



# DynaVision Programmable Xtreme for CPO

## HID-DV PROG Xt 90 CPO C1 208-277V

Highly reliable and flexible electronic drivers for CPO lamps; designed to save on energy costs via integrated controls and to reduce maintenance costs thanks to 80,000-hour lifetime and integrated lightning protection. The DynaVision Programmable product family is the perfect basis for any sort of lighting management solution.

### Product data

Operating and Electrical	
Input Voltage	208-240-277 V
Line Frequency	50 to 60 Hz
Input frequency	50 to 60 Hz
Power factor 50% load (min.)	0.97
Earth leakage current (max.)	0.7 mA
Inrush current width	0.47 ms
Input current (nom.)	0.49 A
Inrush current peak (max.)	52 A
Number of products on MCB (16 A type B) (nom.)	5
Surge Protection (Common/Differential)	EN61547 (L-L 2 kV, L-G 4 kV), 10 kV TIL
Wiring	
Cable length from device to lamp	10 m
Connector type	WAGO series 804

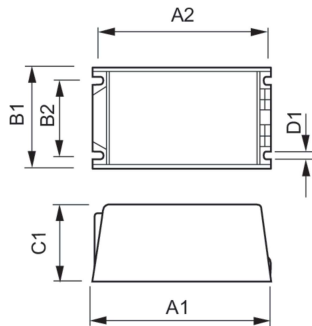
Temperature	
T-case lifetime (nom.)	80 °C
Controls and Dimming	
Control interface	PROG
Mechanical and Housing	
Housing	C1
Net Weight (Piece)	0.950 kg
Approval and Application	
Safety standard	IEC 607, 609, 926, 928 [No Standard for HID Lamp drivers exists. Requirements in these standards to be used if considered relevant for the product.]
Environmental standard	ISO 14001

# DynaVision Programmable Xtreme for CPO

Approval marks	F-Marking CE marking ENEC certificate VDE-EMV certificate
CE mark	Yes
Ambient temperature range	-30°C to 50°C
<b>Product Data</b>	
Order product name	HID-DV PROG Xt 90 CPO C1 208-277V
Full product name	HID-DV PROG Xt 90 CPO C1 208-277V
Full EOC	871829120455800

Order code	913700675166
Material no. (12 NC)	913700675166
Local order code	DVPROGXT90CPO
Numerator – quantity per pack	1
EAN/UPC – Product/Case	8718291204558
Numerator – packs per outer box	12
EAN/UPC – Case	8718291204565

## Dimensional drawing



Product	D1	C1	A1	A2	B1	B2
HID-DV PROG Xt 90 CPO C1 208-277V	5.0 mm	65.0 mm	150.0 mm	135.9 mm	65.0 mm	46.8 mm

