



DynaVision Programmable Xtreme for CDO

HID-DV PROG Xt 250 CDO C2 208-277V

Highly reliable and flexible electronic drivers for CDO lamps; designed to save on energy costs via integrated controls and to reduce maintenance costs thanks to 80,000 hour lifetime and integrated lightning protection. The DynaVision Programmable product family is the perfect basis for any sort of lighting management solution.

Product data

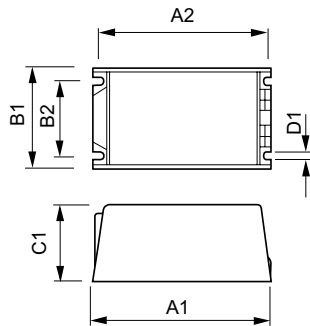
Operating and Electrical		Temperature	
Input Voltage	208-240-277 V	T-case lifetime (nom.)	80 °C
Line Frequency	50 to 60 Hz		
Input frequency	50 to 60 Hz	Controls and Dimming	
Power factor 50% load (min.)	0.98	Control interface	PROG
Earth leakage current (max.)	0.7 mA	Mechanical and Housing	
Inrush current width	4 ms	Housing	C2
Input current (nom.)	1.32 A	Net Weight (Piece)	1.420 kg
Inrush current peak (nom.)	4 A	Approval and Application	
Number of products on MCB (16 A type B) (nom.)	11	Safety standard	IEC 607, 609, 926, 928 [No Standard for HID Lamp drivers exists. Requirements in these standards to be used if considered relevant for the product.]
Surge Protection (Common/Differential)	EN61547 (L-L 2 kV, L-G 4 kV), 10 kV TIL	Environmental standard	ISO 14001
Wiring			
Cable length from device to lamp	3 m		
Connector type	WAGO series 804		

DynaVision Programmable Xtreme for CDO

Approval marks	F-Marking CE marking ENEC certificate VDE-EMV certificate
Ambient temperature range	-30°C to 50°C
Product Data	
Order product name	HID-DV PROG Xt 250 CDO C2 208-277V
Full product name	HID-DV PROG Xt 250 CDO C2 208-277V
Full EOC	871829122261300
Order code	22261300

Material no. (12 NC)	913700679666
Local order code	DVPROGXT250CDO
Numerator – quantity per pack	1
EAN/UPC – Product/Case	8718291222613
Numerator – packs per outer box	6
EAN/UPC - Case	8718291222620

Dimensional drawing



Product	D1	C1	A1	A2	B1	B2
HID-DV PROG Xt 250 CDO C2 208-277V	4.8 mm	58.0 mm	169.0 mm	156.0 mm	100.0 mm	81.5 mm

