



# PrimaVision Xtreme for SON

## PV Xt Q 100W SON

Highly reliable electronic drivers for SON lamps designed for saving energy via better light efficiency compared to magnetic drivers and for saving on maintenance costs thanks to a lifetime of up to 80000 hours and the integrated Lightning protection.

### Product data

Operating and Electrical	
Input Voltage	208-240-277 V
Line Frequency	50 to 60 Hz
Input frequency	50 to 60 Hz
Earth leakage current (max.)	0.7 mA
Inrush current width	0.47 ms
Input current (nom.)	0.53 A
Inrush current peak (max.)	52 A
Number of products on MCB (16 A type B) (nom.)	5
Surge Protection (Common/Differential)	EN61547 (L-L 2 kV, L-G 4 kV), 10 kV TIL
Wiring	
Cable length from device to lamp	10 m
Connector type	WAGO series 804
Temperature	
T-case lifetime (nom.)	80 °C
Mechanical and Housing	
Housing	Q

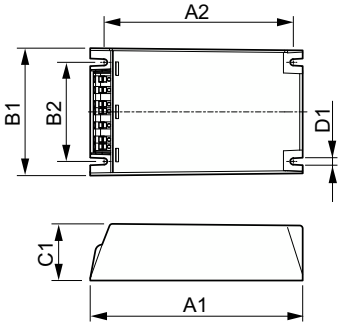
Net Weight (Piece)	0.820 kg
Approval and Application	
Safety standard	IEC 607, 609, 926, 928 [No Standard for HID Lamp drivers exists. Requirements in these standards to be used if considered relevant for the product.]
Environmental standard	ISO 14001
Approval marks	F-Marking CE marking ENEC certificate VDE-EMV certificate
CE mark	Yes
Ambient temperature range	-30°C to 55°C

Product Data	
Order product name	PV Xt Q 100W SON
Full product name	PV Xt Q 100W SON
Full EOC	871829169880700
Order code	913700690666
Material no. (12 NC)	913700690666
Local order code	PVXT100SONQ
Numerator – quantity per pack	1
EAN/UPC – Product/Case	8718291698807

# PrimaVision Xtreme for SON

Numerator – packs per outer box	12
EAN/UPC - Case	8718291698814

## Dimensional drawing



Product	D1	C1	A1	A2	B1	B2
PV Xt Q 100W SON	4.5 mm	40.0 mm	150.0 mm	133.6 mm	90.0 mm	70.0 mm

