



DynaVision Programmable Xtreme for SON

HID-DV PROG Xt 70 SON Q 208-277V

Highly reliable and flexible electronic drivers for SON lamps; designed to save energy via integrated controls, and to reduce maintenance costs thanks to 80,000-hour lifetime and integrated lightning protection. The DynaVision Programmable product family is the perfect basis for any sort of lighting management solution.

Product data

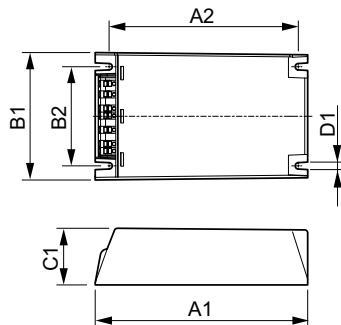
Operating and Electrical		Temperature	
Input Voltage	208-240-277 V	T-case lifetime (nom.)	80 °C
Line Frequency	50 to 60 Hz	Controls and Dimming	
Input frequency	50 to 60 Hz	Control interface	PROG
Earth leakage current (max.)	0.7 mA	Mechanical and Housing	
Inrush current width	0.24 ms	Housing	Q
Input current (nom.)	0.39 A	Net Weight (Piece)	0.820 kg
Inrush current peak (nom.)	28 A	Approval and Application	
Number of products on MCB (16 A type B) (nom.)	11	Safety standard	IEC 607, 609, 926, 928 [No Standard for HID Lamp drivers exists. Requirements in these standards to be used if considered relevant for the product.]
Surge Protection (Common/Differential)	EN61547 (L-L 2 kV, L-G 4 kV), 10 kV TIL	Environmental standard	ISO 14001
Wiring		Approval marks	F-Marking CE marking ENEC certificate VDE-EMV certificate
Cable length from device to lamp	10 m		
Connector type	WAGO series 804		

DynaVision Programmable Xtreme for SON

CE mark	Yes
Ambient temperature range	-30°C to 55°C
Product Data	
Order product name	HID-DV PROG Xt 70 SON Q 208-277V
Full product name	HID-DV PROG Xt 70 SON Q 208-277V
Full EOC	871829166926500
Order code	913700693466

Material no. (12 NC)	913700693466
Local order code	DVPROGXT70SONQ
Numerator – quantity per pack	1
EAN/UPC – Product/Case	8718291669265
Numerator – packs per outer box	12
EAN/UPC - Case	8718291669272

Dimensional drawing



Product	D1	C1	A1	A2	B1	B2
HID-DV PROG Xt 70 SON Q 208-277V	4.5 mm	40.0 mm	150.0 mm	133.6 mm	90.0 mm	70.0 mm

