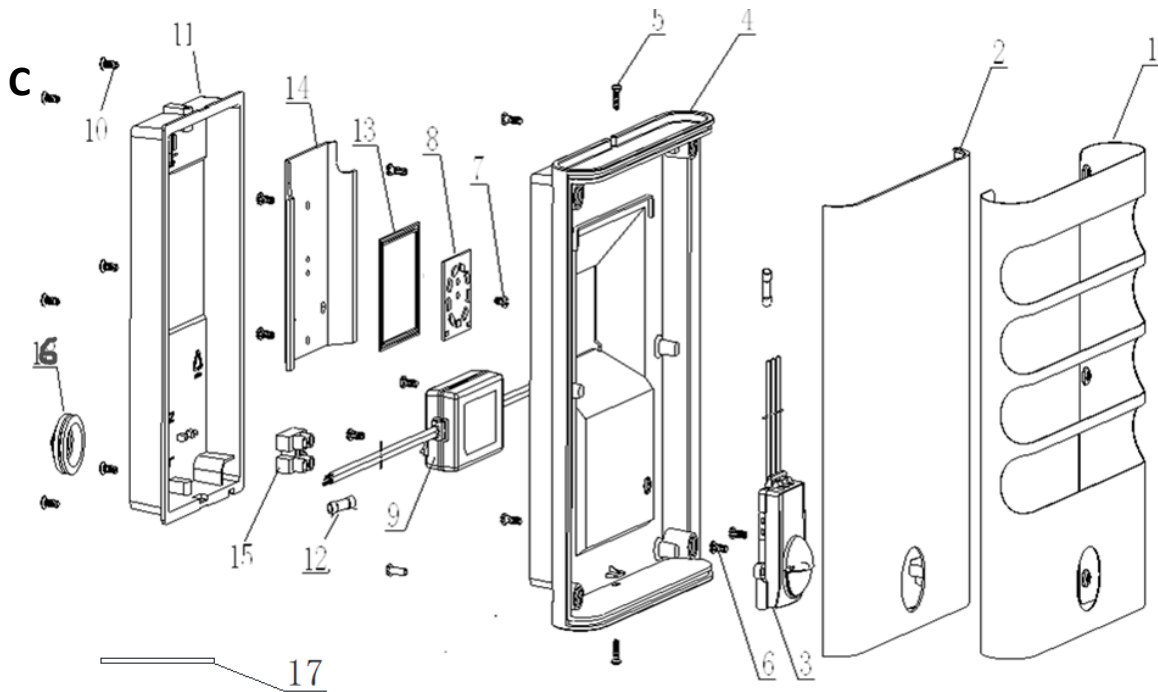


Dismantling Recommendation on Disposal at End of Life



No.	Components	Specifications	Unit	Quantity
1	17274F cover	SS	PCS	1
2	17274F diffuser	PC	PCS	1
3	sensor	12NC: 440400828251	PCS	1
4	17273F body		PCS	1
5	BT3*10 screw	SS 304	PCS	2
6	BT2.9*8 screw	Zinc coated	PCS	10
7	M3*5 screw	Zinc coated	PCS	1
8	YL20-6-8DB4W-C006		PCS	1
9	YL5W150-030P driver		PCS	1
10	BT3*16 screw	SS 304	PCS	6
11	17273F wall plate	ABS	PCS	1
12	Closed end connector		PCS	1
13	17274F gasket	Rubber	PCS	1
14	17274F heat sink	AL	PCS	1
15	Terminal block	PA10	PCS	1
16	φ27 gromet	TPE	PCS	1
17	raffer	3*60MM	PCS	1

Dismantling Recommendation on Disposal at End of Life

Dismantling

- Type: Without permanent damage

Recommendation on Disposal

- Plastic part: Reuse and Recycling
- Electrical part: Incineration and disposal
- Metal part: Recycling

