



# MASTERCcolour CDM MW Eco



## MASTERCcolour CDM-T MW eco 230W/842 E40

Ceramic metal halide lamps with clear tubular or coated ellipsoid outer bulb, tailor-made to replace and outperform quartz metal halide lamps on existing gear.

### Warnings and Safety

- For use with control gear designed for high-pressure mercury or high-pressure sodium lamps with an external ignitor
- A lamp breaking is extremely unlikely to have an impact on your health. If a lamp breaks, ventilate the room for 30 minutes and remove the parts, preferably with gloves. Put them in a sealed plastic bag and take it to your local waste facilities for recycling. Do not use a vacuum cleaner.
- Warm restart time can be up to 15 minutes; T15 ignitors therefore advised.

### Product data

General Information		Operating and Electrical	
Cap base	E40	Arc Length O (Nom)	12.4 mm
Operating position	UNIVERSAL [Any or Universal (U)]	Controls and Dimming	
Flux measurement reference	Sphere	Dimmable	No
Life to 50% failures (nom.)	30,000 h	Mechanical and Housing	
Light Technical		Lamp Finish	Clear
Colour Code	842 [CCT of 4200K]	Bulb material	Hard Glass
Luminous Flux	21,400 lm	Bulb shape	T46
Colour designation	Cool White (CW)	Net Weight (Piece)	166.000 g
Chromaticity Coordinate X (Nom)	0.371		
Chromaticity Coordinate Y (Nom)	0.366		
Correlated Colour Temperature (Nom)	4200 K		
Luminous efficacy (rated) (nom.)	94 lm/W		
Colour rendering index (CRI)	88		

# MASTERCcolour CDM MW Eco

## Approval and Application

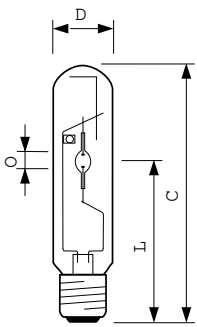
Energy Efficiency Class	F
Mercury (Hg) content (max.)	32 mg
Mercury (Hg) content (nom.)	32.0 mg
Energy consumption kWh/1,000 hours	227 kWh
EPREL Registration Number	473314
CE mark	Yes

## Product Data

Order product name	MASTERCcolour CDM-T MW eco 230W/842 E40
--------------------	---

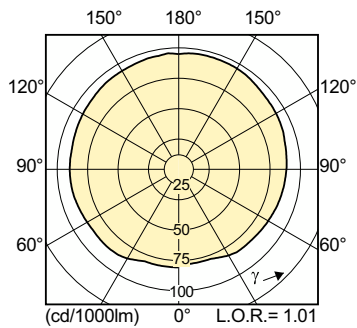
Full product name	MASTERCcolour CDM-T MW eco 230W/842 E40
Full EOC	871869659681400
Order code	928070119230
Material no. (12 NC)	928070119230
Numerator – quantity per pack	1
EAN/UPC – Product/Case	8718696596814
Numerator – packs per outer box	12
EAN/UPC – Case	8718696596821

## Dimensional drawing

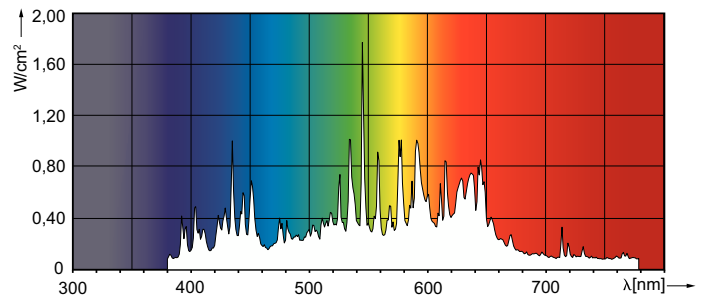


Product	D (max)	O	L	C (max)
MASTERCcolour CDM-T MW eco 230W/842 E40	47 mm	12.4 mm	157 mm	257 mm

## Photometric data



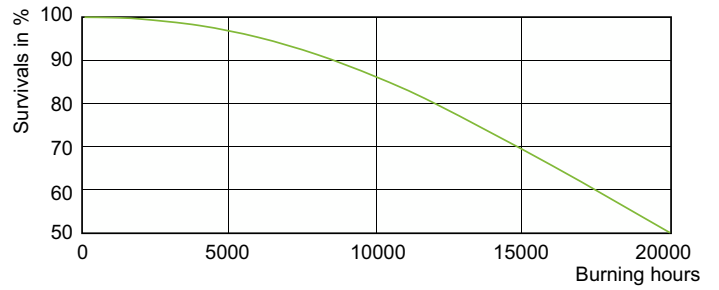
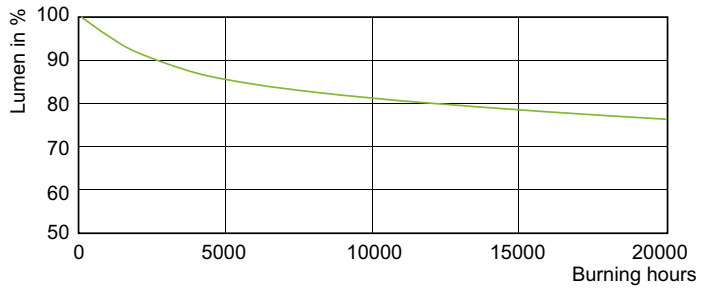
Light Distribution Diagram - MASTERColour CDM-T MW eco 230W/842 E40



Spectral Power Distribution Colour - MASTERColour CDM-T MW eco 230W/842 E40

# MASTERColour CDM MW Eco

## Lifetime



Lumen Maintenance Diagram - MASTERColour CDM-T MW eco 230W/842 E40

MASTERColour CDM MW eco /842

