



MASTERColour CDM-Rm Elite Mini



CDM-Rm Elite Mini 35W/930 GX10 MR16 25D

Mini, very high-efficiency Ceramic Metal Halide discharge reflector lamp producing crisp white sparkling light with high colour rendering

Warnings and Safety

- Use only with electronic control gear
- Control gear must include end-of-life protection (IEC61167, IEC 62035)

Product data

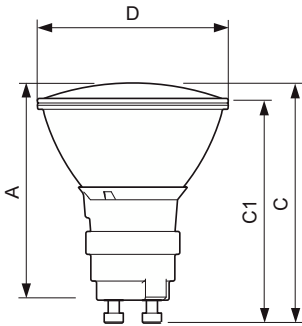
General Information		Luminous flux in 90° cone (rated)	
Cap base	GX10		2,150 lm
Operating position	UNIVERSAL [Any or Universal (U)]	Operating and Electrical	
Switching Cycle	1,350	Power Consumption	39.1 W
Flux measurement reference	Narrow Cone	Warm-up time to 60% light	120 s
Life to 50% failures (nom.)	15,000 h	Voltage (nom.)	87 V
Light Technical		Controls and Dimming	
Colour Code	930 [CCT of 3000K]	Dimmable	No
Beam angle (nom.)	25 degree(s)	Mechanical and Housing	
Luminous Flux	2,150 lm	Bulb shape	MR16
Luminous intensity (nom.)	7,600 cd	Net Weight (Piece)	0.048 kg
Chromaticity Coordinate X (Nom)	0.434	Approval and Application	
Chromaticity Coordinate Y (Nom)	0.398	Energy Efficiency Class	G
Correlated Colour Temperature (Nom)	3000 K	Mercury (Hg) content (max.)	4.7 mg
Luminous efficacy (rated) (nom.)	60 lm/W	Mercury (Hg) content (nom.)	4.7 mg
Colour rendering index (CRI)	90	Energy consumption kWh/1,000 hours	40 kWh
LLMF at end of nominal lifetime (nom.)	80 %		

MASTERCLOUR CDM-Rm Elite Mini

EPREL Registration Number	473277
CE mark	Yes
Product Data	
Order product name	CDM-Rm Elite Mini 35W/930 GX10 MR16 25D
Full product name	CDM-Rm Elite Mini 35W/930 GX10 MR16 25D
Full EOC	871829116300800
Order code	928194705330

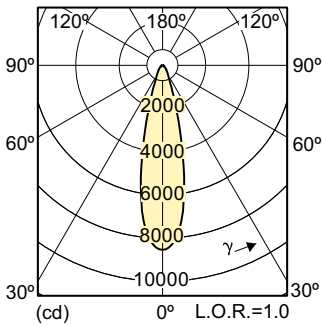
Material no. (12 NC)	928194705330
Local order code	35CDMRMELI93025
Numerator – quantity per pack	1
EAN/UPC – Product/Case	8718291163008
Numerator – packs per outer box	12
EAN/UPC – Case	8718291163015

Dimensional drawing

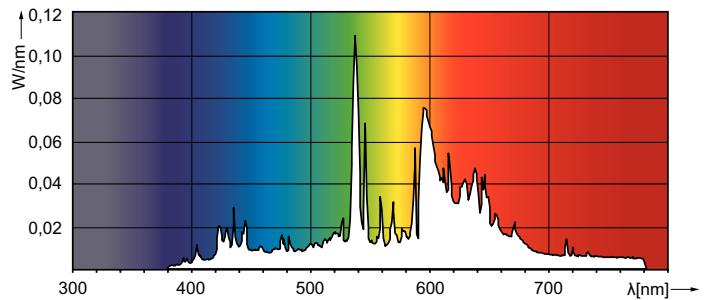


Product	D (max)	D	C (max)	C	C1 (max)	A (max)
CDM-Rm Elite Mini 35W/930 GX10 MR16 25D	51 mm	50 mm	65.4 mm	62.75 mm	60.9 mm	59 mm

Photometric data



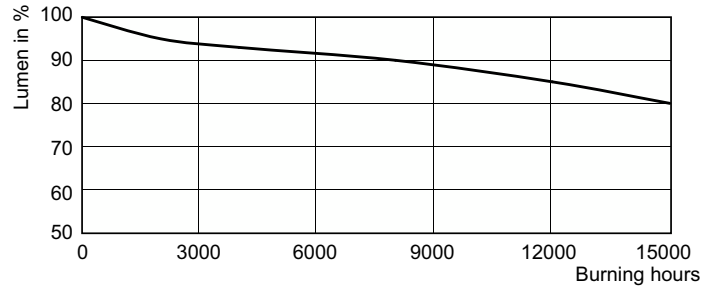
Light Distribution Diagram - CDM-Rm Elite Mini 35W/930 GX10 MR16 25D



Spectral Power Distribution Colour - CDM-Rm Elite Mini 35W/930 GX10 MR16 25D

MASTERCcolour CDM-Rm Elite Mini

Lifetime



LDLE_CDM-Rm_35W_930-Life expectancy diagram

Lumen Maintenance Diagram - CDM-Rm Elite Mini 35W/930 GX10 MR16 25D

