



# MASTERColour CDM-Rm Elite Mini



## MASTERColour CDM-Rm Elite Mini 35W/930 GX10 MR16 40D

Mini, very high-efficiency Ceramic Metal Halide discharge reflector lamp producing crisp white sparkling light with high colour rendering

### Warnings and Safety

- Use only with electronic control gear
- Control gear must include end-of-life protection (IEC61167, IEC 62035)

### Product data

General Information		LLMF at end of nominal lifetime (nom.) 80 %	
Cap base	GX10	Luminous flux in 90° cone (rated)	2,150 lm
Operating position	UNIVERSAL [Any or Universal (U)]	<b>Operating and Electrical</b>	
Switching Cycle	1,350	Power Consumption	39,1 W
Flux measurement reference	Narrow Cone	Warm-up time to 60% light	120 s
Life to 50% failures (nom.)	15,000 h	Voltage (nom.)	87 V
<b>Light Technical</b>		<b>Controls and Dimming</b>	
Colour Code	930 [CCT of 3000K]	Dimmable	No
Beam angle (nom.)	40 degree(s)	<b>Mechanical and Housing</b>	
Luminous Flux	2,150 lm	Bulb shape	MR16
Luminous intensity (nom.)	3,600 cd	Net Weight (Piece)	0.048 kg
Chromaticity Coordinate X (Nom)	0.434	<b>Approval and Application</b>	
Chromaticity Coordinate Y (Nom)	0.398	Energy Efficiency Class	G
Correlated Colour Temperature (Nom)	3000 K		
Luminous efficacy (rated) (nom.)	61 lm/W		
Colour rendering index (CRI)	90		

# MASTERCcolour CDM-Rm Elite Mini

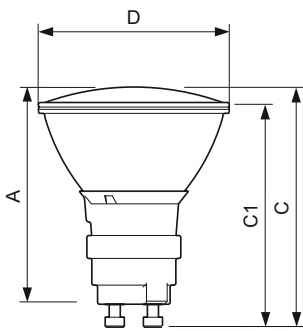
Mercury (Hg) content (max.)	4.7 mg
Mercury (Hg) content (nom.)	4.7 mg
Energy consumption kWh/1,000 hours	40 kWh
EPREL Registration Number	473278
CE mark	Yes

## Product Data

Order product name	CDM-Rm Elite Mini 35W/930 GX10 MR16 40D
Full product name	MASTERCcolour CDM-Rm Elite Mini 35W/930 GX10 MR16 40D

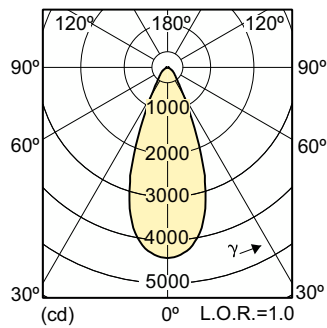
Full EOC	871829116306000
Order code	16306000
Material no. (12 NC)	928194805330
Local order code	35CDMRMELI93040
Numerator – quantity per pack	1
EAN/UPC – Product/Case	8718291163060
Numerator – packs per outer box	12
EAN/UPC – Case	8718291163077

## Dimensional drawing

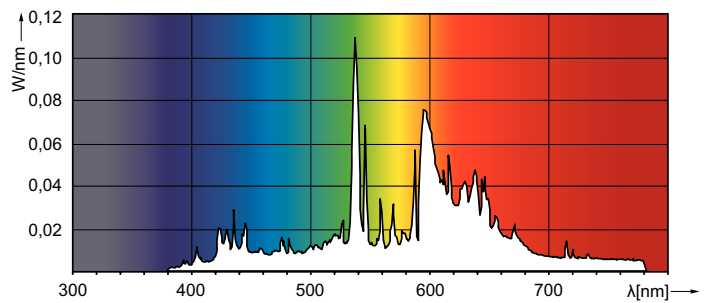


Product	D (max)	D	C (max)	C	C1 (max)	A (max)
CDM-Rm Elite Mini 35W/930 GX10 MR16 40D	51 mm	50 mm	65.4 mm	62.75 mm	60.9 mm	59 mm

## Photometric data



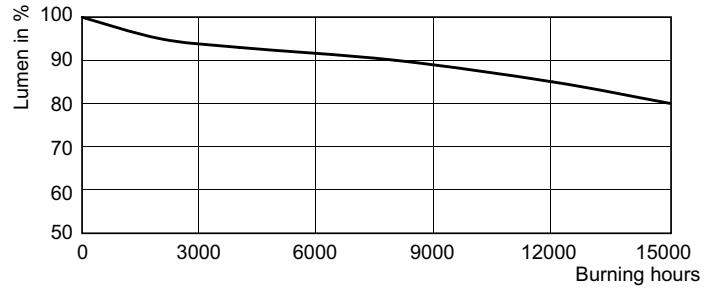
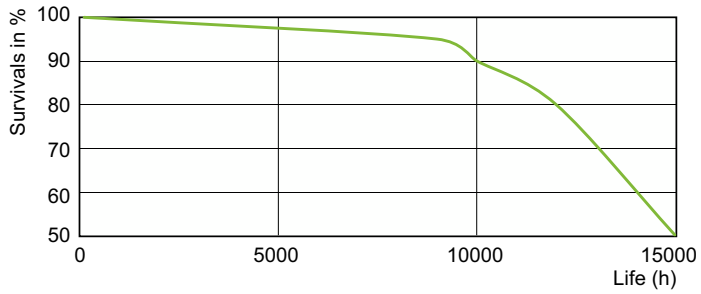
Light Distribution Diagram - CDM-Rm Elite Mini 35W/930 GX10 MR16 40D



Spectral Power Distribution Colour - CDM-Rm Elite Mini 35W/930 GX10 MR16 40D

# MASTERCcolour CDM-Rm Elite Mini

## Lifetime



LDLE\_CDM-Rm\_35W\_930-Life expectancy diagram

Lumen Maintenance Diagram - CDM-Rm Elite Mini 35W/930 GX10 MR16 40D

