



CorePro LED spot MV



Corepro LEDspot 3.5–35W GU10 827 36D UK

CorePro, LEDspot, PAR16, 35 W, GU10, 2700 K, 255 lm, CRI 80, 15000 h

CorePro LEDspots are a perfect fit for spot lighting and deliver warm halogen-like light. They are compatible with most existing fixtures with a GU10 or E14 holder and are designed as a retrofit replacement for halogen or incandescent spots. LEDlamps deliver huge energy savings and minimize maintenance cost.

Product data

General Information	
Cap base	GU10
Nominal lifetime	15,000 h
Switching Cycle	50,000
Lighting Technology	LEDspot
Light Technical	
Colour Code	827 [CCT of 2700K]
Beam angle (nom.)	36 degree(s)
Luminous Flux	255 lm
Luminous intensity (nom.)	545 cd
Colour designation	Warm White (WW)
Correlated Colour Temperature (Nom)	2700 K
Luminous efficacy (rated) (nom.)	72.00 lm/W
Colour consistency	<6
Colour rendering index (CRI)	80
LLMF at end of nominal lifetime (nom.)	70 %
Luminous flux in 90° cone (rated)	255 lm

Photobiological safety according to EN 62471 RG1	
Operating and Electrical	
Line Frequency	50 to 60 Hz
Input frequency	50 to 60 Hz
Power Consumption	3.5 W
Lamp current (nom.)	32 mA
Wattage equivalent	35 W
Starting time (nom.)	0.5 s
Warm-up time to 60% light	0.5 s
Power Factor (Fraction)	0.5
Voltage (nom.)	220–240 V
Temperature	
T-Case maximum (nom.)	75 °C
Controls and Dimming	
Dimmable	No

CorePro LED spot MV

Mechanical and Housing

Bulb shape	PAR16
Net Weight (Piece)	0.045 kg

Approval and Application

Energy Efficiency Class	F
Suitable for accent lighting	Yes
Energy consumption kWh/1,000 hours	4 kWh
EPREL Registration Number	391855
EU RoHS compliant	Yes
EyeComfort	Yes
Flickering value (PstLM)	1
Stroboscopic effect	0.4
Ambient temperature range	-20 to +45 °C

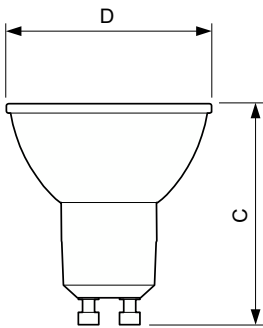
Application Conditions

Can it be used in closed luminaires	No
-------------------------------------	----

Product Data

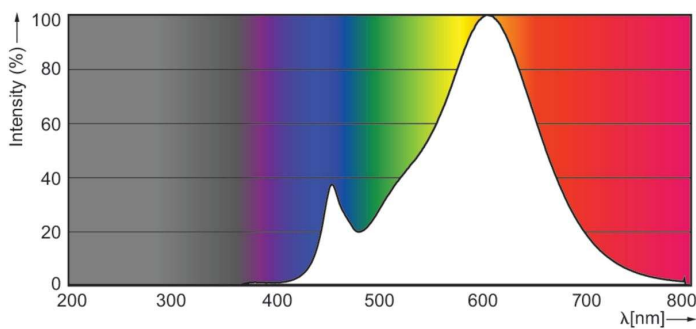
Order product name	Corepro LEDspot 3.5-35W GU10 827 36D UK
Full product name	Corepro LEDspot 3.5-35W GU10 827 36D UK
Full EOC	871869675253101
Order code	929001217897
Material no. (12 NC)	929001217897
Numerator – quantity per pack	1
EAN/UPC – Product/Case	8718696752531
Numerator – packs per outer box	10
EAN/UPC – Case	8719514406001

Dimensional drawing

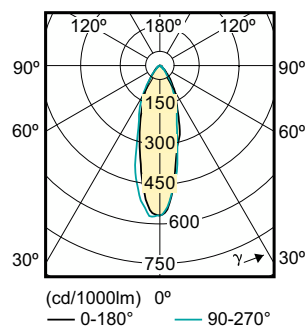


Product	D	C
Corepro LEDspot 3.5-35W GU10 827 36D UK	50 mm	54 mm

Photometric data



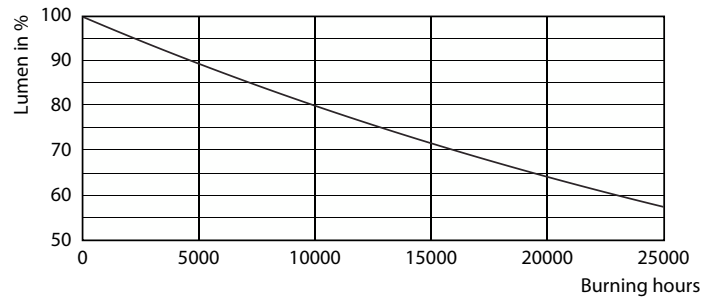
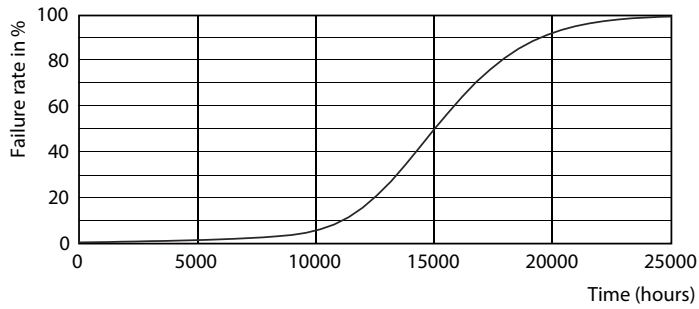
Spectral Power Distribution Colour - Corepro LEDspot 3.5-35W GU10 827 36D UK



Light Distribution Diagram - Corepro LEDspot 3.5-35W GU10 827 36D UK

CorePro LED spot MV

Lifetime



Life Expectancy Diagram

Lumen Maintenance Diagram - Corepro LEDspot 3.5-35W GU10 827 36D UK

