



Classic LEDspotLV

LEDspots 5-50W MR16 840 60D 4PK

LEDspotLV Classic offers an archetypal halogen-like design while delivering the benefits of LED technology, saving around 85% on energy consumption, minimizing maintenance cost, and much more besides. It is compatible with most existing fixtures with a GU 5.3 holder and is designed as a retrofit replacement for halogen or incandescent spots.

Product data

General Information	
Cap-Base	GU5.3 [GU5.3]
Nominal lifetime	15,000 hour(s)
Switching Cycle	50,000
Rated Lifetime (Hours)	15,000 hour(s)
Lighting Technology	LED
EU RoHS compliant	Yes
Light Technical	
Color Code	840 [CCT of 4000K]
Color Code	840 [CCT of 4000K]
Beam Angle (Nom)	60 degree(s)
Luminous Flux	410 lm
Luminous Intensity (Nom)	420 cd
Color Designation	Cool White (CW)
Correlated Color Temperature (Nom)	4000 K
Luminous Efficacy (rated) (Nom)	82 lm/W
Color Consistency	<6
Color rendering index (CRI)	80
LLMF At End Of Nominal Lifetime (Nom)	70 %

Operating and Electrical	
Line Frequency	- Hz
Input Frequency	- Hz
Power Consumption	5 W
Lamp Current (Nom)	580 mA
Wattage Equivalent	50 W
Starting Time (Nom)	0.5 s
Warm-up time to 60% light	0.5 s
Power Factor (Fraction)	0.6
Voltage (Nom)	ac electronic 12 V
Voltage (Nom)	12 V

Temperature	
Ambient temperature range	-20 to +40 °C
T-Case Maximum (Nom)	65 °C

Controls and Dimming	
Dimmable	No

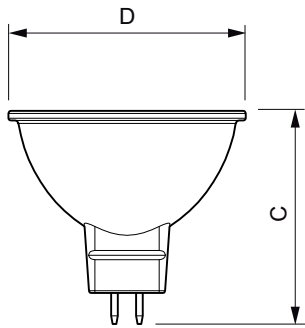
Mechanical and Housing	
Bulb Finish	Clear
Bulb Material	Glass

Classic LEDspotLV

Bulb Shape	MR16 [2inch/50mm]
Approval and Application	
Suitable For Accent Lighting	Yes
Energy Consumption kWh/1000 h	6 kWh
Product Data	
Order product name	LEDspots 5-50W MR16 840 60D 4PK
Full product name	LEDspots 5-50W MR16 840 60D 4PK

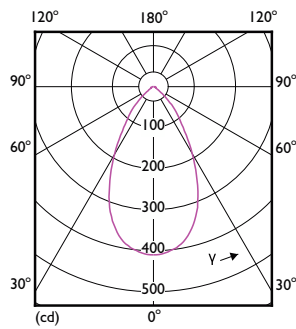
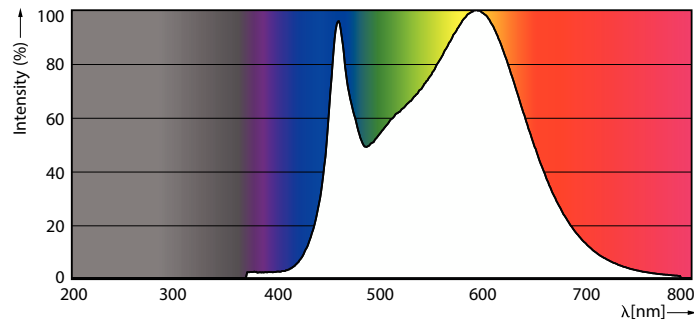
Full product code	871951432772600
Order code	929001280577
Material Nr. (12NC)	929001280577
Numerator - Quantity Per Pack	1
EAN/UPC - Product/Case	8719514327726
Numerator - Packs per outer box	3
EAN/UPC - Case	8719514327733

Dimensional drawing



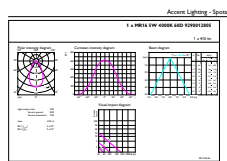
Product	D	C
LEDspots 5-50W MR16 840 60D 4PK	50.5 mm	45.5 mm

Photometric data



Spectral Power Distribution Colour - LEDspots 5-50W MR16 840 60D 4PK

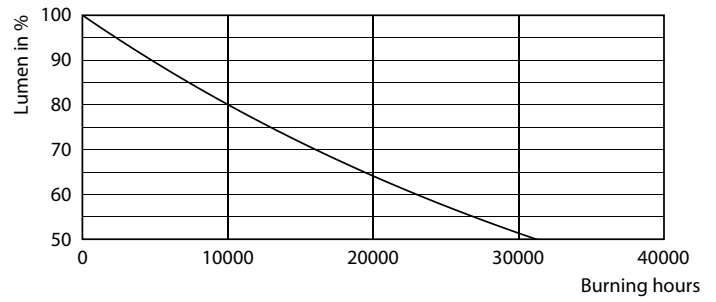
Light Distribution Diagram - LEDspots 5-50W MR16 840 60D 4PK



Accent Lighting Spots - LEDspots 5-50W MR16 840 60D 4PK

Classic LEDspotLV

Lifetime



Life Expectancy Diagram - LEDspots 5-50W MR16 840 60D 4PK

Lumen Maintenance Diagram

