



LED Designer Deco

26UFO/PER/830/FR/P/E26/ND 4/1PF

Philips LED Designer Deco lamps allow you to maintain a warm, classic light or a modern, chic effect while providing longer life and energy savings

Product data

| General Information | |
|---------------------------------------|-----------------------------------|
| Cap-Base | E26 [Single Contact Medium Screw] |
| Nominal lifetime | 15,000 hour(s) |
| Switching Cycle | 50,000 |
| Rated Lifetime (Hours) | 15,000 hour(s) |
| Lighting Technology | LED |
| Light Technical | |
| Color Code | 830 [CCT of 3000K] |
| Color Code | 830 [CCT of 3000K] |
| Beam Angle (Nom) | 120 degree(s) |
| Luminous Flux | 1,950 lm |
| Color Designation | White (WH) |
| Correlated Color Temperature (Nom) | 3000 K |
| Luminous Efficacy (rated) (Nom) | 75 lm/W |
| Color Consistency | <6 |
| Color rendering index (CRI) | 80 |
| LLMF At End Of Nominal Lifetime (Nom) | 70 % |
| Operating and Electrical | |
| Line Frequency | 50 to 60 Hz |
| Input Frequency | 50 to 60 Hz |
| Power Consumption | 26 W |
| Lamp Current (Nom) | 360 mA |
| Wattage Equivalent | 125 W |

| Starting Time (Nom) | 0.5 s |
|----------------------------|-----------------|
| Warm-up time to 60% light | 0.5 s |
| Power Factor (Fraction) | 0.5 |
| Voltage (Nom) | 110-240 V |
| Temperature | |
| T-Case Maximum (Nom) | 162 °F |
| Controls and Dimming | |
| Dimmable | No |
| Mechanical and Housing | |
| Bulb Finish | Frosted |
| Bulb Material | Plastic |
| Bulb Shape | Others |
| UL Wet/ damp/ dry location | Damp location |
| Net Weight (Piece) | 0.562 lb |
| Approval and Application | |
| EU RoHS compliant | Yes |
| EyeComfort | Yes |
| T20 compliant | No |
| LED Innovations | EyeComfort |
| Ambient temperature range | -4 °F to 113 °F |

LED Designer Deco

Application Conditions

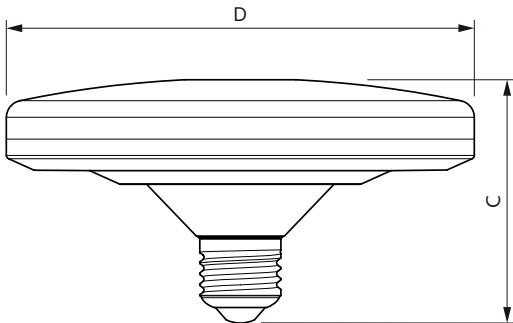
can it be used in closed luminaires No

Product Data

| | |
|--------------------|---------------------------------|
| Order product name | 26UFO/PER/830/FR/P/E26/ND 4/1PF |
| Full product name | 26UFO/PER/830/FR/P/E26/ND 4/1PF |
| Full product code | 871951441031200 |
| Order code | 577007 |

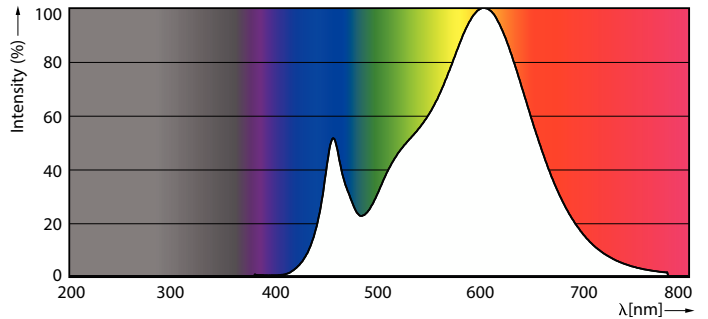
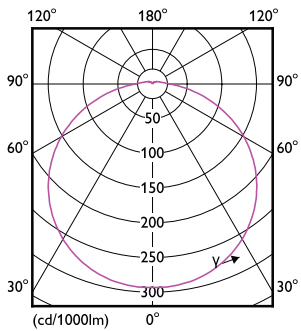
| | |
|---------------------------------|----------------|
| Material Nr. (12NC) | 929002010753 |
| Numerator - Quantity Per Pack | 1 |
| EAN/UPC - Product/Case | 046677577001 |
| Numerator - Packs per outer box | 4 |
| EAN/UPC - Case | 50046677577006 |

Dimensional drawing



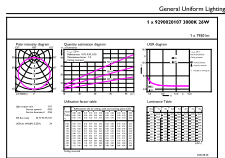
| Product | D | C |
|---------------------------------|------------|-------------|
| 26UFO/PER/830/FR/P/E26/ND 4/1PF | 7-7/8 inch | 3-1/16 inch |

Photometric data



Light Distribution Diagram - 26UFO/PER/830/FR/P/E26/ND 4/1PF

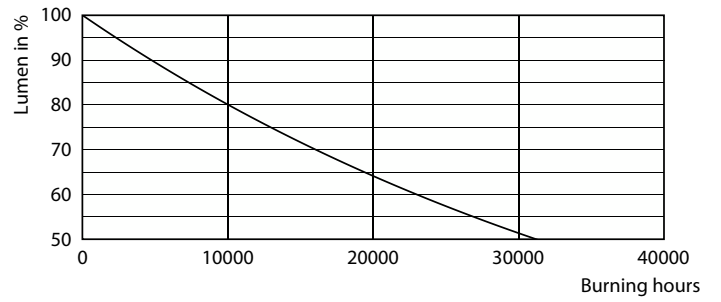
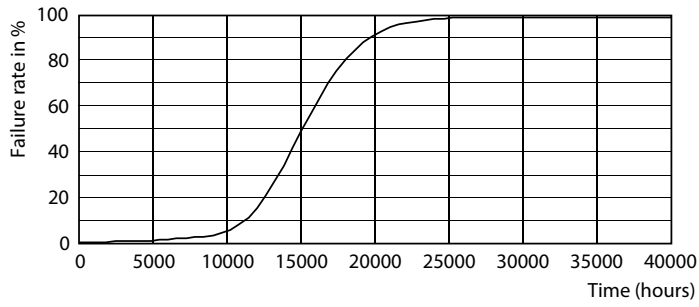
Spectral Power Distribution Colour - 26UFO/PER/830/FR/P/E26/ND 4/1PF



General uniform lighting - 26UFO/PER/830/FR/P/E26/ND 4/1PF

LED Designer Deco

Lifetime



Life Expectancy Diagram

Lumen Maintenance Diagram - 26UFO/PER/830/FR/P/E26/ND 4/1PF

