



# CorePro LED spot LV



## CorePro LED spot ND4.4-35W MR16 827 36DUK

MASTER, LEDspot, MR16, 35 W, GU5.3, 2700 K, 345 lm, CRI 80, 15000 h

CorePro LEDspots are a perfect fit for spot lighting and deliver warm halogen-like light. They are compatible with most existing fixtures with MR16 GU5.3 holders and are designed as a retrofit replacement for halogen or incandescent spots. LEDlamps deliver huge energy savings and minimize maintenance cost.

### Product data

General Information	
Cap base	GU5.3
Nominal lifetime	15,000 h
Switching Cycle	50,000
Lighting Technology	LEDspot
Warranty period	2 years
Light Technical	
Colour Code	827 [CCT of 2700K]
Beam angle (nom.)	36 degree(s)
Luminous Flux	345 lm
Luminous intensity (nom.)	650 cd
Colour designation	Warm White (WW)
Correlated Colour Temperature (Nom)	2700 K
Luminous efficacy (rated) (nom.)	78 lm/W
Colour consistency	<6
Colour rendering index (CRI)	80
LLMF at end of nominal lifetime (nom.)	70 %
Luminous flux in 90° cone (rated)	345 lm

Photobiological safety according to EN 62471 RG1	
Operating and Electrical	
Line Frequency	- Hz
Input frequency	- Hz
Power Consumption	4.4 W
Lamp current (nom.)	520 mA
Wattage equivalent	35 W
Starting time (nom.)	0.5 s
Warm-up time to 60% light	0.5 s
Power Factor (Fraction)	0.6
Voltage (nom.)	ac electronic 12 V
Temperature	
T-Case maximum (nom.)	85 °C
Controls and Dimming	
Dimmable	No

# CorePro LED spot LV

## Mechanical and Housing

Bulb shape	MR16
Net Weight (Piece)	0.045 kg

## Approval and Application

Energy Efficiency Class	F
Suitable for accent lighting	Yes
Energy consumption kWh/1,000 hours	5 kWh
EPREL Registration Number	421457
EU RoHS compliant	Yes
EyeComfort	Yes
Ambient temperature range	-20 to +40 °C

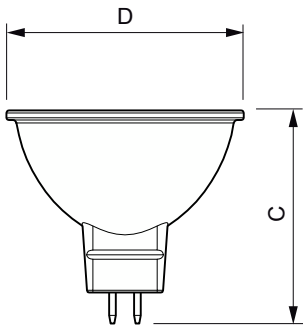
## Application Conditions

Can it be used in closed luminaires	No
Wireless Technology	Not applicable

## Product Data

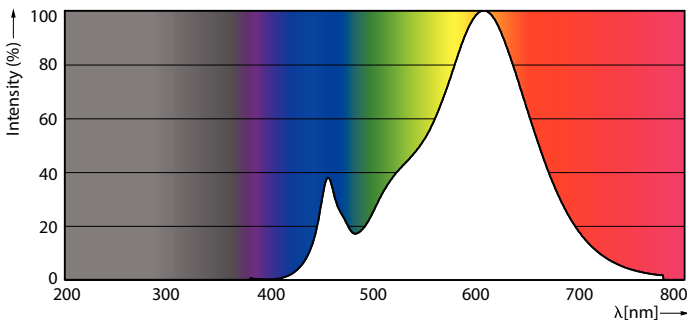
Order product name	CorePro LED spot ND4.4-35WMR16 827 36DUK
Full product name	CorePro LED spot ND4.4-35WMR16 827 36DUK
Full EOC	871951430706301
Order code	929002494699
Material no. (12 NC)	929002494699
Numerator – quantity per pack	1
EAN/UPC – Product/Case	8719514307063
Numerator – packs per outer box	10
EAN/UPC - Case	8719514405462

## Dimensional drawing

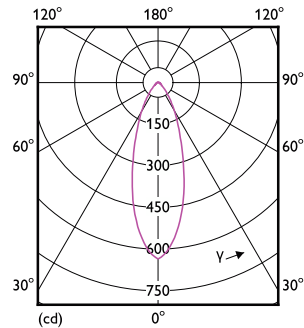


Product	D	C
CorePro LED spot ND4.4-35WMR16 827 36DUK	50.5 mm	45.5 mm

## Photometric data



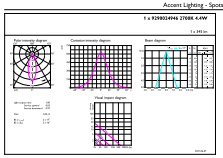
Spectral Power Distribution Colour - CorePro LED spot ND4.4-35WMR16 827 36DUK



Light Distribution Diagram - CorePro LED spot ND4.4-35WMR16 827 36DUK

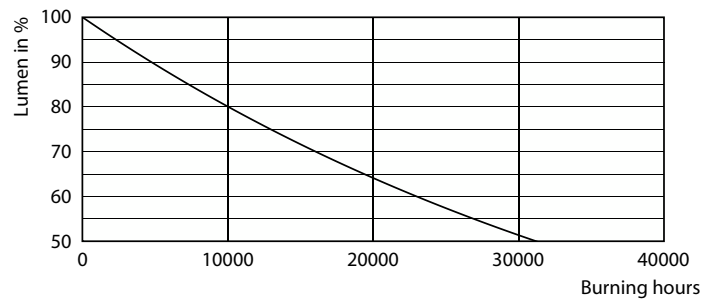
# CorePro LED spot LV

## Photometric data



Accent Lighting Spots - CorePro LED spot ND4.4-35WMMR16 827 36DUK

## Lifetime



Life Expectancy Diagram

Lumen Maintenance Diagram - CorePro LED spot ND4.4-35WMMR16 827 36DUK

