



Candle LED

LEDCandle 5-40W E14 865 B35NDFR AU 2CT

Philips Candle Dimmable LED Lamps offer decorative energy saving ambience with the elegant effect of incandescent candles. Available in bent, blunt and flame tip candles, their unique design provides light in all directions, giving lighting designers a long life alternative to standard incandescent sources.

Product data

General Information	
Cap-Base	E14 [E14]
Nominal lifetime	15,000 hour(s)
Switching Cycle	50,000
Rated Lifetime (Hours)	15,000 hour(s)
Lighting Technology	LED
EU RoHS compliant	Yes

Light Technical	
Color Code	865 [CCT of 6500K]
Color Code	865 [CCT of 6500K]
Luminous Flux	470 lm
Color Designation	Cool Daylight
Correlated Color Temperature (Nom)	6500 K
Luminous Efficacy (rated) (Nom)	94 lm/W
Color Consistency	<6
Color rendering index (CRI)	80
LLMF At End Of Nominal Lifetime (Nom)	70 %
Photobiological safety according to EN 62471 RG1	

Operating and Electrical	
Input Frequency	50 to 60 Hz
Power Consumption	5 W

Lamp Current (Nom)	44 mA
Wattage Equivalent	40 W
Starting Time (Nom)	0.5 s
Warm-up time to 60% light	0.5 s
Power Factor (Fraction)	0.51
Voltage (Nom)	220-240 V

Temperature	
Ambient temperature range	-20 to +45 °C
T-Case Maximum (Nom)	81 °C

Controls and Dimming	
Dimmable	No

Mechanical and Housing	
Bulb Finish	Frosted
Bulb Material	Plastic
Bulb Shape	B35 [B 35mm]

Approval and Application	
Energy Consumption kWh/1000 h	- kWh
EyeComfort	Yes

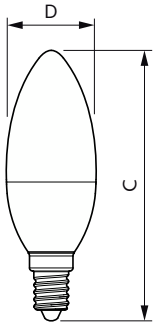
Candle LED

Product Data

Order product name	LEDCandle 5-40W E14 865 B35NDFR AU 2CT
Full product name	LEDCandle 5-40W E14 865 B35NDFR AU 2CT
Full product code	871951432251600
Order code	929002969279

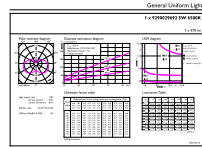
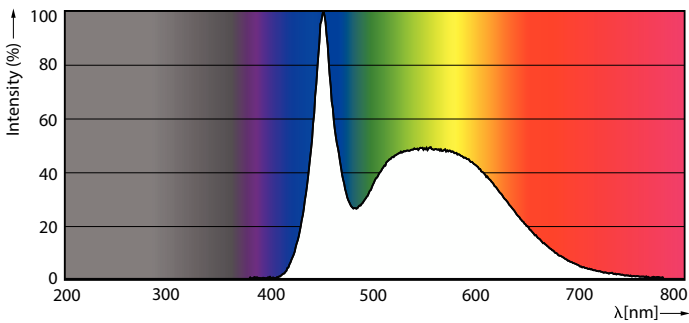
Material Nr. (12NC)	929002969279
Numerator - Quantity Per Pack	1
EAN/UPC - Product/Case	8719514322516
Numerator - Packs per outer box	6
EAN/UPC - Case	8719514322523

Dimensional drawing



Product	D	C
LEDCandle 5-40W E14 865 B35NDFR AU 2CT	35 mm	106 mm

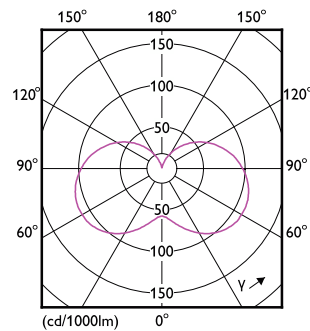
Photometric data



© 2023 Philips Lighting B.V. All rights reserved. Page 10

Spectral Power Distribution Colour - LEDCandle 5-40W E14 865 B35NDFR AU 2CT

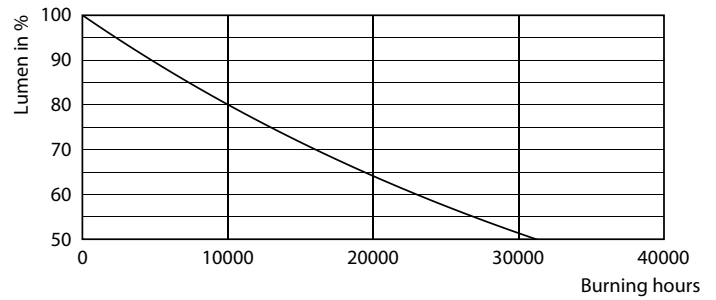
General uniform lighting - LEDCandle 5-40W E14 865 B35NDFR AU 2CT



Light Distribution Diagram - LEDCandle 5-40W E14 865 B35NDFR AU 2CT

Candle LED

Lifetime



Life Expectancy Diagram - LEDCandle 5-40W E14 865 B35NDFR AU 2CT

Lumen Maintenance Diagram - LEDCandle 5-40W E14 865 B35NDFR AU 2CT

