



# MASTER Value Glass LED bulbs



## MAS VLE LEDBulb DT5.9-60W E27 927ST64CLG

MASTER Value, LEDbulb, ST64, 60 W, E27, 2200 K, 2700 K, 806 lm, CRI 90, 15000 h, Glass

Featuring a classic heritage design, these filament LED bulbs combine the familiar shapes of incandescent bulbs with the benefits of long-lasting LED technology. These MASTER Value Glass LED bulbs offer more energy savings than normal glass LED bulbs. At the same time, they also provide customers with good light experience, enhanced by excellent dimming performance (dimmable glass LED bulbs). MASTER Value Glass LED Bulbs deliver significant energy savings, using 30% less energy compared to normal LED bulbs and provide excellent quality of light. By offering a lifetime of 15,000 hours, these dimmable LED bulbs also reduce maintenance costs.

### Product data

General Information	
Cap base	E27
Nominal lifetime	15,000 h
Switching Cycle	20,000
Lighting Technology	LEDbulb
Flux measurement reference	Sphere
Warranty period	2.5 years

Light Technical	
Colour Code	922-927 [CCT of 2200K-2700K]
Beam angle (nom.)	300 degree(s)
Luminous Flux	806 lm

Colour designation	Warm Glow (WG)
Correlated Colour Temperature (Nom)	2200 2700 K
Luminous efficacy (rated) (nom.)	136.00 lm/W
Colour consistency	<6
Colour rendering index (CRI)	90
LLMF at end of nominal lifetime (nom.)	70 %
Photobiological safety according to EN 62471	RGO

Operating and Electrical	
Line Frequency	50 to 60 Hz
Input frequency	50 to 60 Hz
Power Consumption	5.9 W

## MASTER Value Glass LED bulbs

Lamp current (nom.)	40 mA
Wattage equivalent	60 W
Starting time (nom.)	0.5 s
Warm-up time to 60% light	0.5 s
Power Factor (Fraction)	0.6
Voltage (nom.)	220-240 V

### Temperature

T-Case maximum (nom.)	70 °C
-----------------------	-------

### Controls and Dimming

Dimmable	Only with specific dimmers
----------	----------------------------

### Mechanical and Housing

Lamp Finish	Clear
Bulb material	Glass
Bulb shape	ST64
Net Weight (Piece)	0.048 kg

### Approval and Application

Energy Efficiency Class	D
Energy consumption kWh/1,000 hours	6 kWh
EPREL Registration Number	453250
CE mark	Yes

EU RoHS compliant	Yes
EyeComfort	Yes
Flickering value (PstLM)	0.9
Stroboscopic effect	0.4
Ambient temperature range	-20 to +45 °C

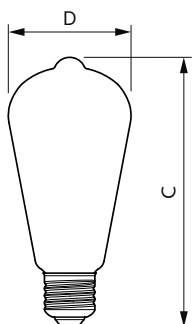
### Application Conditions

Can it be used in closed luminaires	No
Wireless Technology	Not applicable

### Product Data

Order product name	MAS VLE LEDBulb DT5.9-60W E27 927ST64CLG
Full product name	MAS VLE LEDBulb DT5.9-60W E27 927ST64CLG
Full EOC	871951432481700
Order code	929003010702
Material no. (12 NC)	929003010702
Numerator – quantity per pack	1
EAN/UPC – Product/Case	8719514324817
Numerator – packs per outer box	10
EAN/UPC - Case	8719514324824

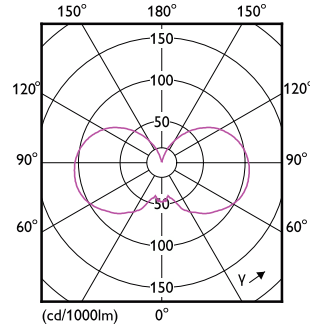
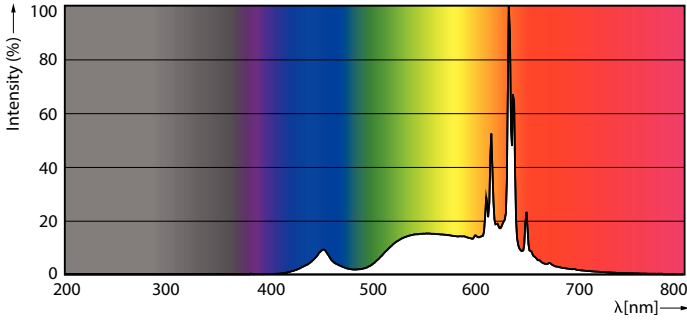
## Dimensional drawing



Product	D	C
MAS VLE LEDBulb DT5.9-60W E27 927ST64CLG	64 mm	140 mm

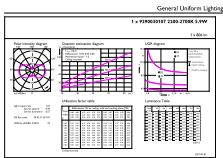
# MASTER Value Glass LED bulbs

## Photometric data



Spectral Power Distribution Colour - MAS VLE LEDBulb DT5.9-60W E27 927ST64CLG

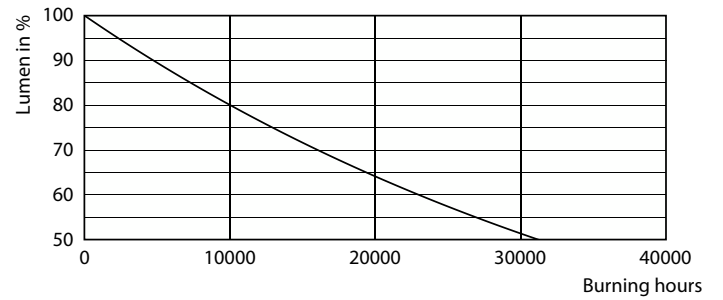
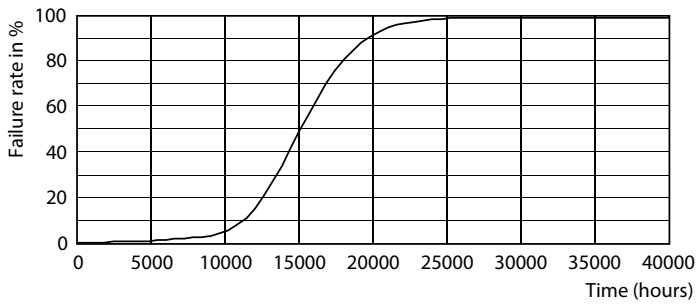
Light Distribution Diagram - MAS VLE LEDBulb DT5.9-60W E27 927ST64CLG



General Uniform Lighting  
 1 x 927ST64CLG 60W E27  
 Philips Lighting BV  
 Eindhoven, The Netherlands

General uniform lighting - MAS VLE LEDBulb DT5.9-60W E27 927ST64CLG

## Lifetime



Life Expectancy Diagram

Lumen Maintenance Diagram - MAS VLE LEDBulb DT5.9-60W E27 927ST64CLG

## MASTER Value Glass LED bulbs

