



MASTER LED spot ExpertColor AR111



MAS ExpertColor 10.8-50W 927 AR111 40D

MASTER, LEDspot, AR111, 50 W, G53, 2700 K, 600 lm, CRI 95, 40000 h

The MASTER LEDspot LV ExpertColor creates a warm and comfortable ambience for hospitality venues, homes and restaurants. It creates ambience with superior lighting that has a customised spectrum, high CRI and deep dimming features. The result? A beautiful lighting experience. What's more, the innovative, trimless lens design will also suit almost any interior decor with its clean and neat look. In addition, you can take advantage of the full ExpertColor family, which also includes LEDspot LV and LEDspot Par lamps.

Product data

General Information		Operating and Electrical	
Cap base	G53	Correlated Colour Temperature (Nom)	2700 K
Nominal lifetime	40,000 h	Luminous efficacy (rated) (nom.)	55 lm/W
Switching Cycle	50,000	Colour consistency	<4
Lighting Technology	LEDspot	Colour rendering index (CRI)	95
Flux measurement reference	Narrow Cone	LLMF at end of nominal lifetime (nom.)	70 %
Warranty period	5 years	Luminous flux in 90° cone (rated)	600 lm
		Photobiological safety according to EN 62471	RG1
Light Technical			
Colour Code	927 [CCT of 2700K]	Line Frequency	50 to 60 Hz
Beam angle (nom.)	40 degree(s)	Input frequency	50 to 60 Hz
Luminous Flux	600 lm	Power Consumption	10.8 W
Luminous intensity (nom.)	1,200 cd	Lamp current (nom.)	1,000 mA
Colour designation	Warm White (WW)	Wattage equivalent	50 W

MASTER LED spot ExpertColor AR111

Starting time (nom.)	0.5 s
Warm-up time to 60% light	0.5 s
Power Factor (Fraction)	0.7
Voltage (nom.)	ac electronic 12 V

Temperature

T-Case maximum (nom.)	70 °C
-----------------------	-------

Controls and Dimming

Dimmable	Only with specific dimmers
----------	----------------------------

Mechanical and Housing

Lamp Finish	Clear
Bulb shape	AR111
Net Weight (Piece)	0.160 kg

Approval and Application

Energy Efficiency Class	G
Suitable for accent lighting	Yes
Energy consumption kWh/1,000 hours	11 kWh
EPREL Registration Number	648254
CE mark	Yes

EU RoHS compliant	Yes
EyeComfort	Yes
Ambient temperature range	-20 to +45 °C

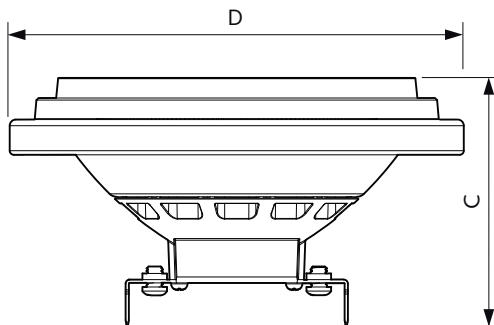
Application Conditions

Can it be used in closed luminaires	No
Wireless Technology	Not applicable

Product Data

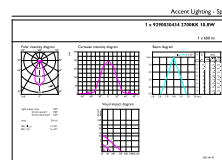
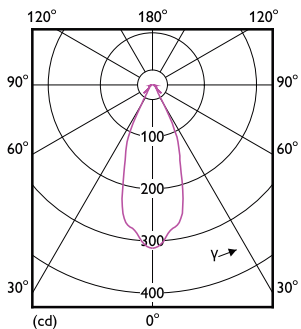
Order product name	MAS ExpertColor 10.8-50W 927 AR111 40D
Full product name	MAS ExpertColor 10.8-50W 927 AR111 40D
Full EOC	871951433395600
Order code	929003043402
Material no. (12 NC)	929003043402
Numerator – quantity per pack	1
EAN/UPC – Product/Case	8719514333956
Numerator – packs per outer box	6
EAN/UPC - Case	8719514333963

Dimensional drawing



Product	D	C
MAS ExpertColor 10.8-50W 927 AR111 40D	111 mm	61 mm

Photometric data



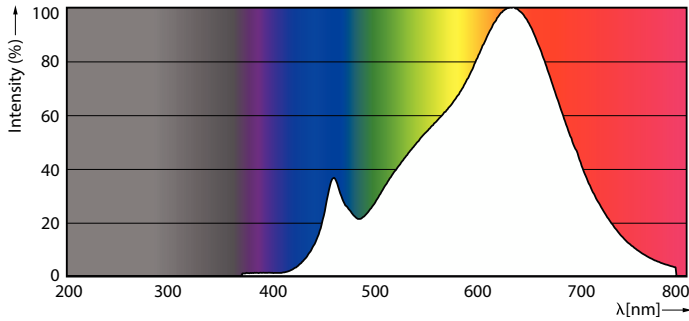
002027 Photometric 11 | Master Lighting 11 | Page 11

Light Distribution Diagram - MAS ExpertColor 10.8-50W 927 AR111 40D

Accent Lighting Spots - MAS ExpertColor 10.8-50W 927 AR111 40D

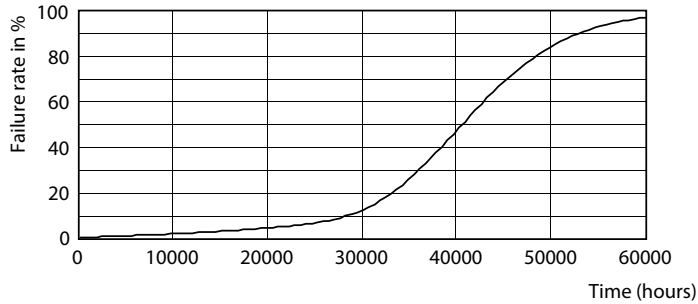
MASTER LED spot ExpertColor AR111

Photometric data

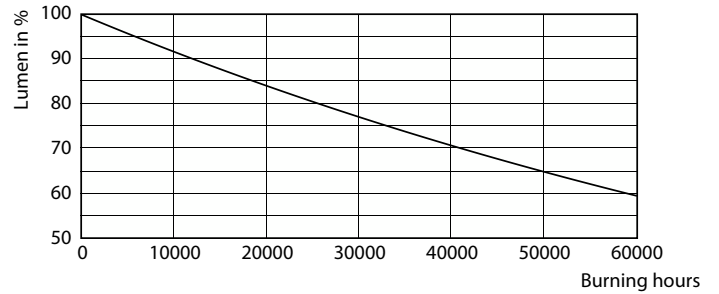


Spectral Power Distribution Colour - MAS ExpertColor 10.8-50W 927 AR111 40D

Lifetime



Life Expectancy Diagram



Lumen Maintenance Diagram - MAS ExpertColor 10.8-50W 927 AR111 40D

